



NEKSAN®

MEKANİK

Diş Cephe Kaplama Mekanik Sabitleme Sistemleri
Fixing Systems



NEKSAN®

MEKANİK

Diş Cephe Kaplama Mekanik Sabitleme Sistemleri
Fixing Systems

PRODUCT CATALOGUE

PRODUCT CATALOGUE



NEKSAN MEKANİK

www.neksanmekanik.com

Fabrika/Factory

Organize Sanayi Bölgesi
3.Cadde NO: 11 NEVŞEHİR /TÜRKİYE
:+90 384 242 90 28
:info@neksanmekanik.com

+90 384 242 90 26-27



TÜV
AUSTRIA

ISO
9001:2008

TÜRKİYE
T.C. MİLLÎ VE
HAYATİ BİLİMLER BAKANLIĞI

OSHAS
18001

TSE-HYB
TS 12658

ISO 14001

IAF
MEMBER OF MULTILATERAL
RECOGNITION ARRANGEMENT

BBS

www.neksanmekanik.com

"Mekanik Bağlantı Sistemleri
Üretiminde Yerli Güç"



About us

Neksan had started manufacturing of commercial transport body work equipment in 2003 with a range of 300 kinds of products up to 2015 and has quickly fold growth in this area. During 12 years, has gained manufacturing capability of systematic production of mechanical fasteners with manufacturing experience and increased the product quality as well as capacity by renewing the machinery park. Our company; is expandin it's product portfolio continously by producing the anchor in different sizes and dimensions, Strap and Extension Systems, Anchors, Clamps, bolts, nuts, washers, screws and fasteners from iron, steel and stainless-steel material in accordance with international accepted standards and norms such as TSE, TS EN ISO, TÜV Austria. Having the Certificates and CAPACITY reports of TUV Austria, TS EN ISO 9001: 2008, TSE OHSAS 18001: 2008, TSE-HYB our company is capable to furnish customers' needs by producing the fasteners siding of bodywork equipment, trademark and commercial transportation in our manufacturing plant under the Neksan mechanical brand. As well as direct export supplies Neksan can offer its customers a registered exports, by having an ability to develop "special and specific" products in addition to standard production Both series production, we have been manufacturing special product per customer's need We manufacture all our products in our own facilities except for raw materials. We guarantee delivery in the most reasonable time from the date of order. We warranty stok in project-based work. We keep price stability and customer satisfaction with in the highest level of quality.



VİZYONUMUZ OUR VISION



Sustaining and stable growing of our vision is to be the industry's best and most reliable corporate company, to serve a wide customer base, to act according to market trends and customer demands, laws and ethical rules to compete at the highest level, art technology to provide customer satisfaction and to follow and implement. our consumers, customers, employees always puts a smile on her face that satisfies a leading manufacturer of commercial vehicles to the top construction equipment. Proved the quality of service we provide to our customers is not a coincidence, and we will continue to prove our innovations.

MİSYONUMUZ OUR MISION

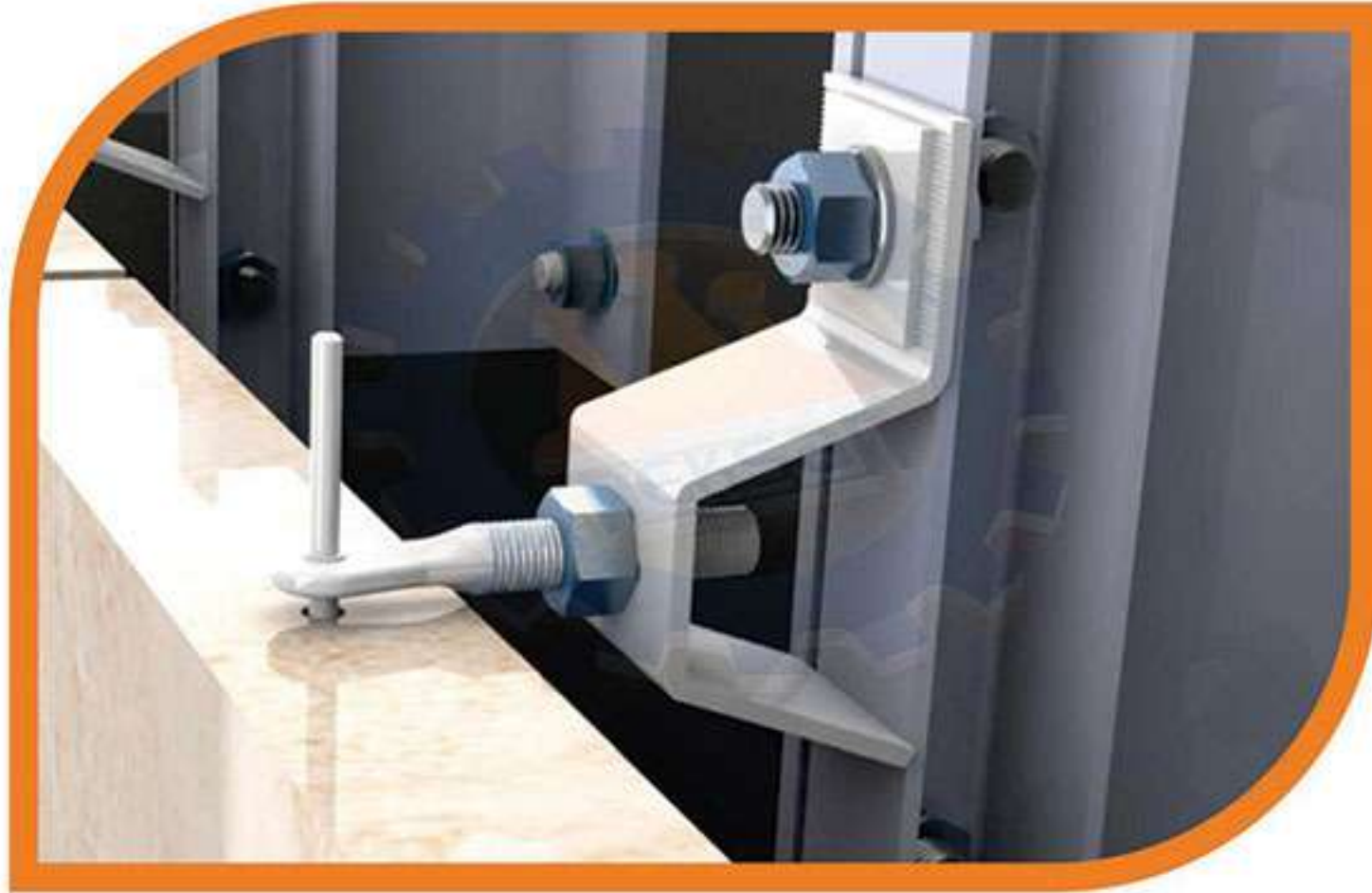


Neksan , the business makes significant investments in the areas of international trade and transport is a leading manufacturer and marketer of top construction equipment and fixing systems, the company will be knowneasily by consumers with high quality products as they are easy affordable prices while offering strong partnerships with customers. Ensuring sustainable and stable income employees, society and consumers will request the reputation, corporate social responsibility obligations are fulfilled, and will operate as an environmentally friendly company. Changing customer and market needs, you can easily reach by focusing on high quality products at affordable prices. We establish strong partnerships with our customers. Institutional conscious of our responsibilities, carry out our work under the principle of openness and honesty. Respect for human rights and create a safe working environment.

DEĞERLERİMİZ OUR VALUES



The existence of is based on basic values, which are the foundation and profitability and always the best, trying to serve our customers at the lowest cost and duties required by the authorities, armed aware of their responsibilities, the Company Values, move into the future, to take new projects themselves with the spirit of continuous improvement and team-working staff. The most valuable resources; are Employees: the source of our power. By the ability to recognize opportunities and happiness is our goal to increase our employees' development. Ensuring their participation in all fields "Team Work" then realizes the principle. Goods and Services: efforts are showing results. Our products and services by our customers how much it liked, our values it will be. Our profit is: to what extent the product or services meet the customer's expectations indicator. Providing the necessary resources to improve our products and services is our goal to make a profit. Sincerely ...



Sustaining and stable growing of our vision is to be the industry's best and most reliable corporate company, to serve a wide customer base, to act according to market trends and customer demands, laws and ethical rules to compete at the highest level, art technology to provide customer satisfaction and to follow and implement. our consumers, customers, employees always puts a smile on her face that satisfies a leading manufacturer of commercial vehicles to the top construction equipment. Proved the quality of service we provide to our customers is not a coincidence, and we will continue to prove our innovations.

NEKSAN MEKANIK FIXING SYSTEMS NATURAL STONE FACADES AND MANY ADVANTAGES

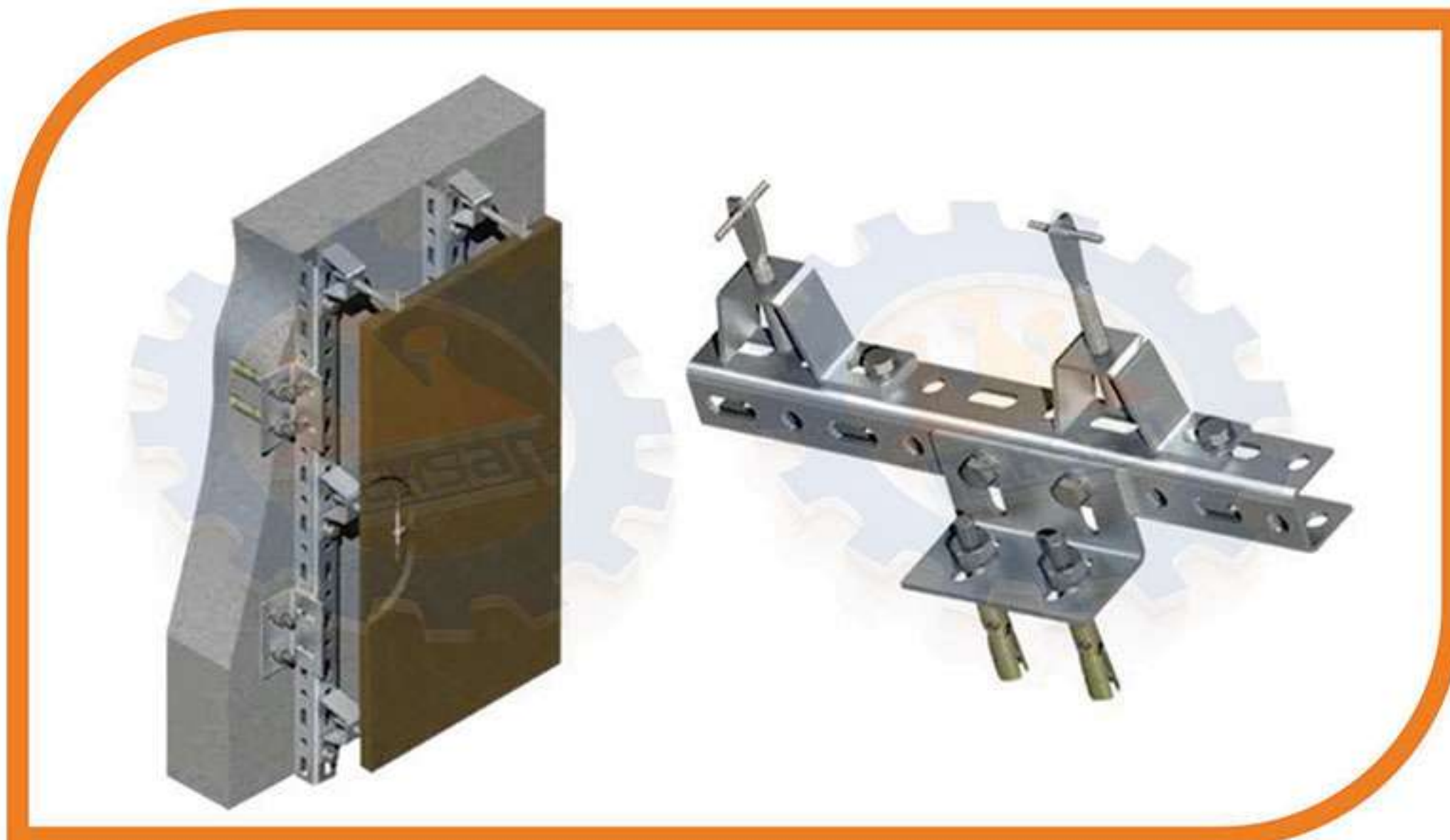
Natural stone has different advantages when used for designing facades. It is a durable, low maintenance material which improves a building's sound insulation. Natural stone facades also contribute to the aesthetic appearance of your project and makes it "standout".

Its heat storage properties make it an excellent material for insulating against summer heat. The heat is kept away from the core of the building, reducing the necessity to cool the building. These are just a few of the many advantages of designing facades with natural stone. Natural stone facades are usually designed and constructed as ventilated curtain facades. Neksan Natural stone fixing systems are the optimal solution for realising this type of ventilated curtain facade. We offer customers a comprehensive package of planning and engineering services to reliably plan and realise their natural stone facades as reliably and as efficiently as possible. The Neksan anchors product range provides solutions for all installation requirements for natural stone facades. Body anchors are three-dimensionally adjustable and are available for various stand-off sizes and load ranges. Vertical adjustment is with a serrated plate.

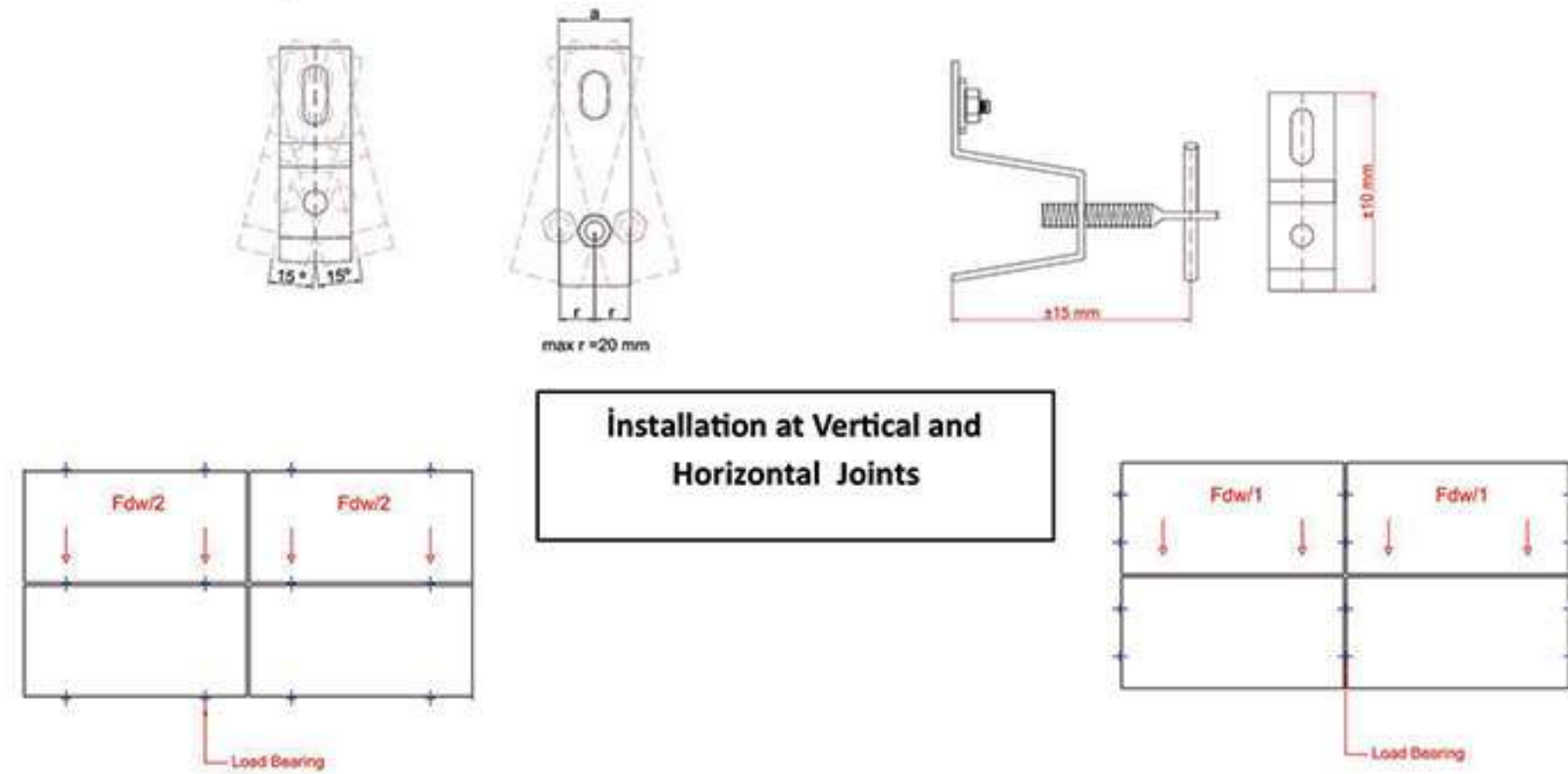
Fixing systems need all types of backing walls whether they are concrete walls, block work & masonry walls or steel structures. The following points are taken into consideration when designing a fixing system for natural stone installation.

- *Stone Dimensions,
- *Projection size and isolation,
- *Horizontal or vertical joint installation,.
- *Joint size,
- *Structural wall backing details,
- *Height of facade,
- *Relevant dynamic loads such as wind and seismic loads,
- *Design criteria of the Project,

Neksan Mekanik proposes and specially designs fixing systems according to individual projects requirements,



The stand-off distance of the natural stone slab is adjusted using an adjustable bolt. It is also possible to swivel the anchor by up to 15°. The anchors can be subjected to load immediately after installation to Neksan channels or to a suitable load-bearing structure. Pins secure the natural stone slabs to the anchors. The anchor pins are available with full pins (4 × 50 mm), (5 × 50 mm), (5 × 70 mm), Neksan also provides various special custom designs.



Horizontal Joints

The anchors carry half the weight of the natural stone slabs in horizontal installation. Anchors bear half the weight of the slab above and also act as restraint, holding the slabs below and restraining them against wind pressure and suction.

Vertical Joints

The load bearing anchors carry the full weight of the natural stone slab in vertical installation. Each anchor bears half the weight of the slab on the right and half the weight of the slab on the left. Restraint anchors hold the slabs below and restrain them against wind pressure and suction.

Reference is made to the following standards:

British Standards

- BS 8298 Design and installation of natural stone cladding
- BS EN 10088-2 Steel plates, sheets and strips stainless and heat resisting
- BS 6105 Corrosion resistant stainless steel fasteners
- BS 5950 Structural use of steel work in building
- BS 6399 Part 2 Code of practice for wind loads
- BS 970 Part 3 Mechanical properties for stainless steel

German Standards

- DIN 18 516 Cladding for ventilated walls
- DIN 18 800 Steel structures, design and dimensioning
- DIN 18 801 Steel framed structures
- DIN 1045 Concrete and reinforced concrete, design and dimensioning
- DIN 1053 Masonry, design and dimensioning
- DIN 1055 Wind loads design code
- DIN 4114 Steel construction, stability cases

American Standards

- ASTM C1242 -12 Standard guide for stone attachment systems
- ASTM A 276 Specification for stainless steel bars and shapes
- ASTM 666 Specification for annealed or cold worked austenitic stainless steel sheets
- ASCE Minimum design loads for buildings

Euro codes

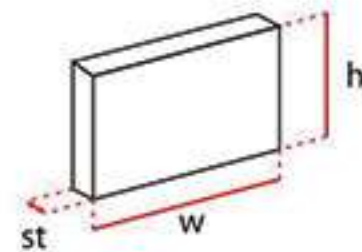
- EN 1990 - Basis of Structural Design. Structural Analysis and Design by Testing
- EN1090 - Execution of steel & Aluminium Structures
- EN1991 - General Actions- Wind
- EN1998 - General Rules Seismic Actions and Rules for Buildings



Design weight for natural stone slabs: (ds)

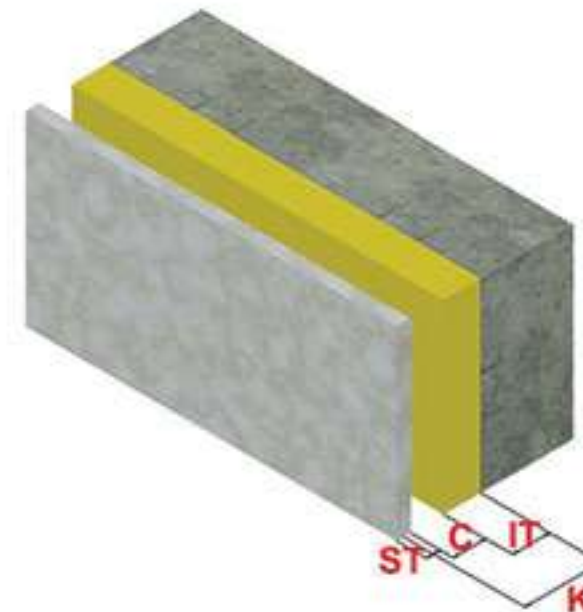
| | |
|--------------------|------------------------|
| Travertine | 24000 N/m ³ |
| Sandstone | 26000 N/m ³ |
| Marble & Limestone | 27000 N/m ³ |
| Granite | 28000 N/m ³ |

Width = w
Height = h
Thickness = st

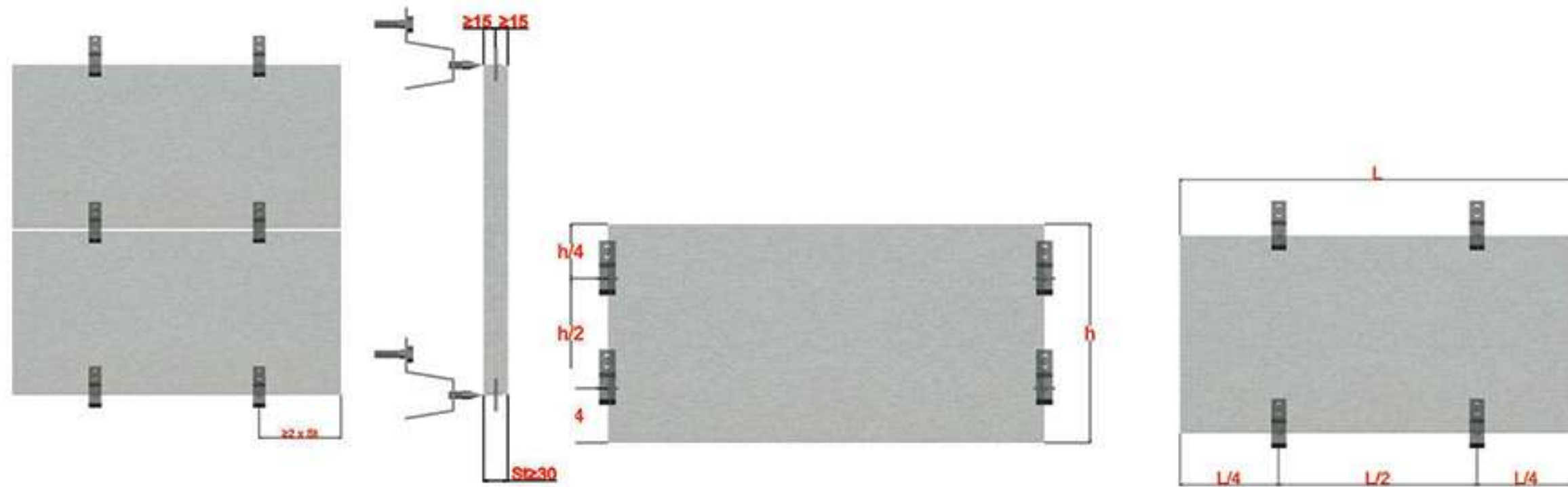


Wall Structure:

It: Thickness of insulation
C: Cavity
St: Thickness of Stone
K: Projection



The distance from the corner of the slab to the pin center should be minimum 2,5 x slab thickness. The minimum pin centre distance to the edge of slab at the surface should be 15mm. Distance of the drilled pin hole centre from the edge of the slab at 1/4 the size of the slab. The holes are approximately 3mm larger than the diameter of the pins.



Applied Loads:

The applied loads are wind load, dead load and thermal load.

Dead Load: weight of natural stone slab x 1,35 safety factors.

$F_{dw} = h \times w \times st \times D_s$ (KN/m³)

F_{dw} is multiplied with 1,35 safety factor.

Wind Load: The maximum speed is; v_s . The value of the dynamic pressure of the wind is $q = k \cdot v_s^2$

The max. Design pressure is $w_p = c_p \cdot Q$

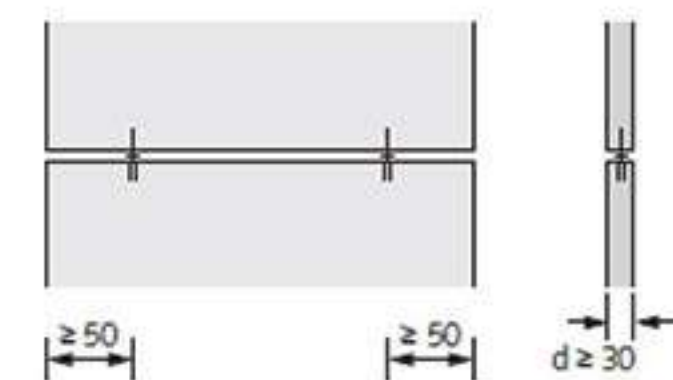
The max. Design suction is: $w_s = c_s \cdot Q$

$w_s = 0.7 \cdot Q$ (standard)

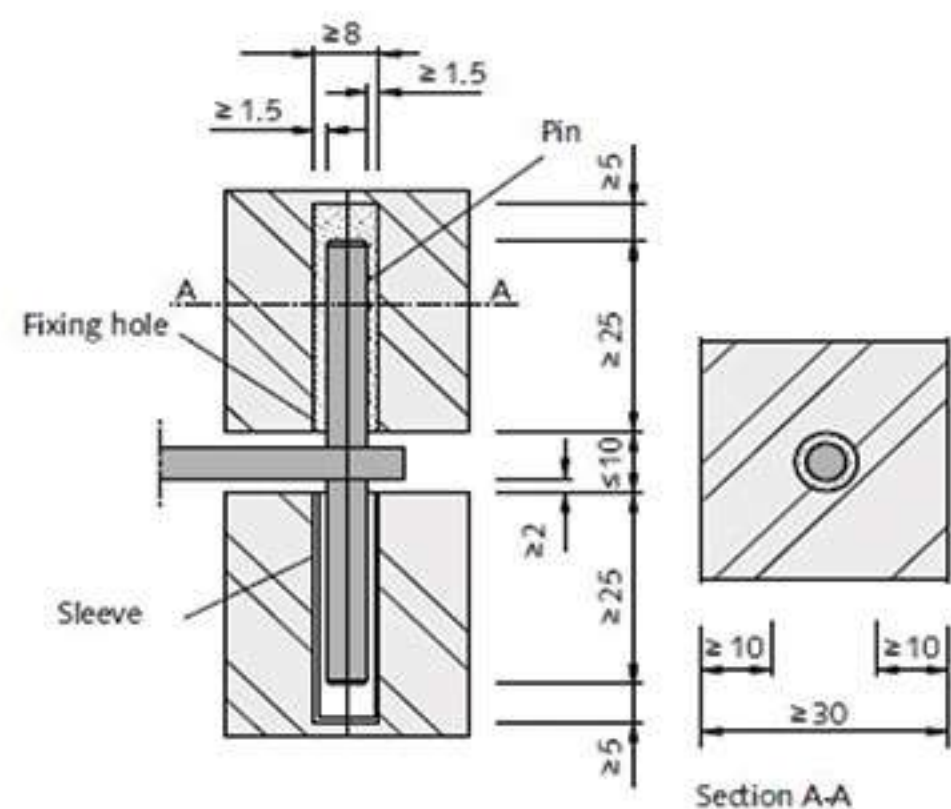
$w_s = 2.0 \cdot Q$ (edge)

w_p & w_s are multiplied with 1,50 safety factor.

Edge Distance:



Pin, Fixing hole and Joint Dimensions;

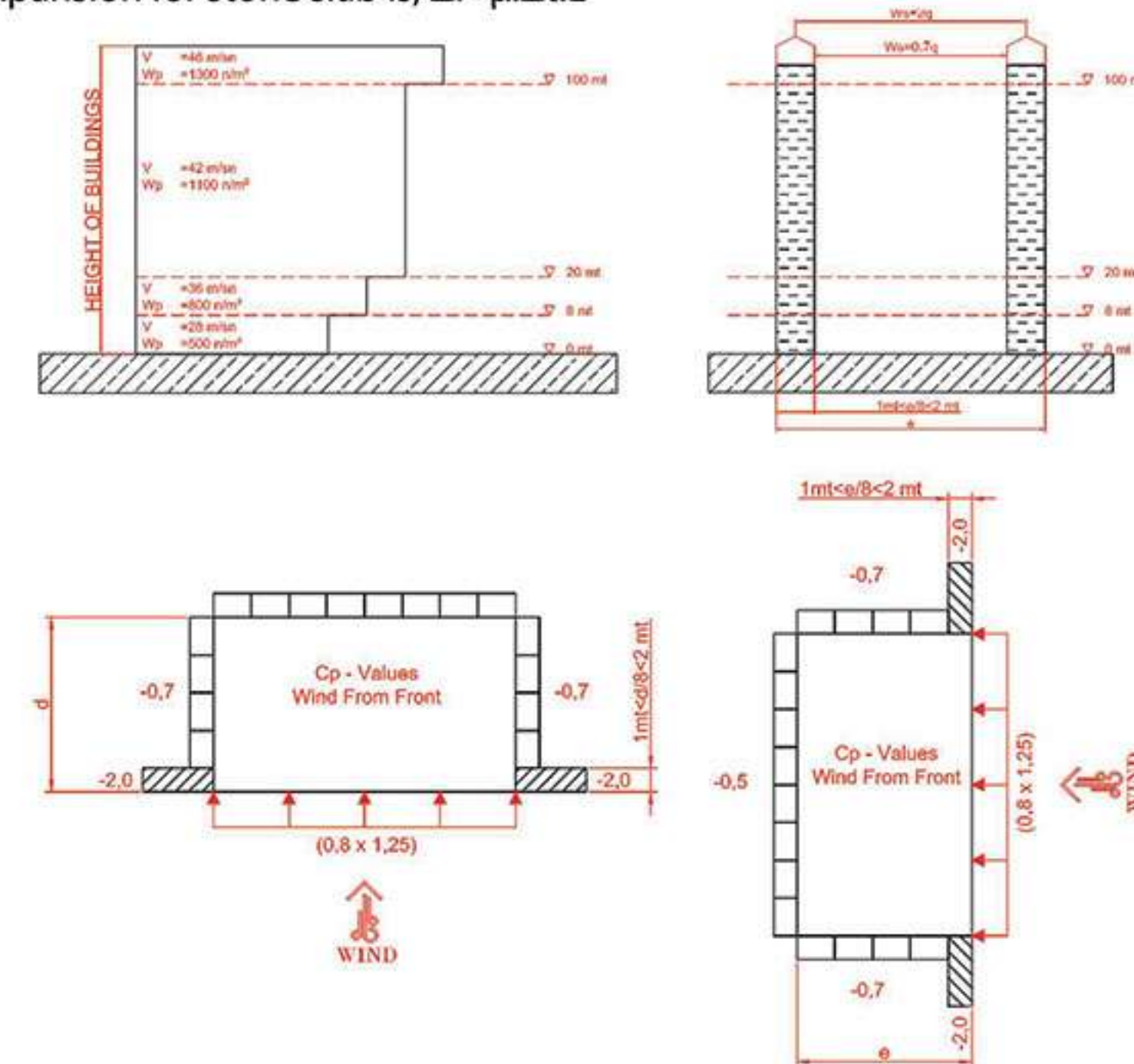


Thermal Load: Temperature is considered range on the slab;

$T_{min} \text{ } ^\circ\text{C} < t \text{ } ^\circ\text{C} < T_{max} \text{ } ^\circ\text{C}$

The maximum thermal loading in the stone is; $\Delta t = t_{max} - t_{min}$

The max. thermal expansion for stone slab is; $\Delta l = \mu \cdot \Delta t \cdot L$

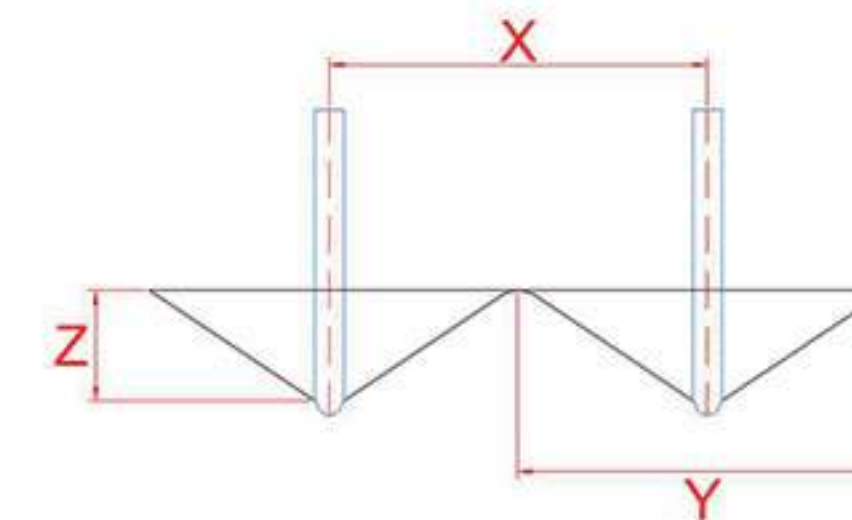


Wall Types ;

The anchoring ground can be concrete, brickwork, filled hollow block or steel structure. Different types of bolts are used for backing. The type of wall backing is taken into consideration to propose suitable bolts for fixing the anchors.

Group of Bolts

The distance between anchor bolts; X, which is necessary for a full cone of concrete to break away, is given by the crater diameter; Y, depending on the type of anchor. This diameter is 1.5 to 2.5 times the depth of embedment, Z.

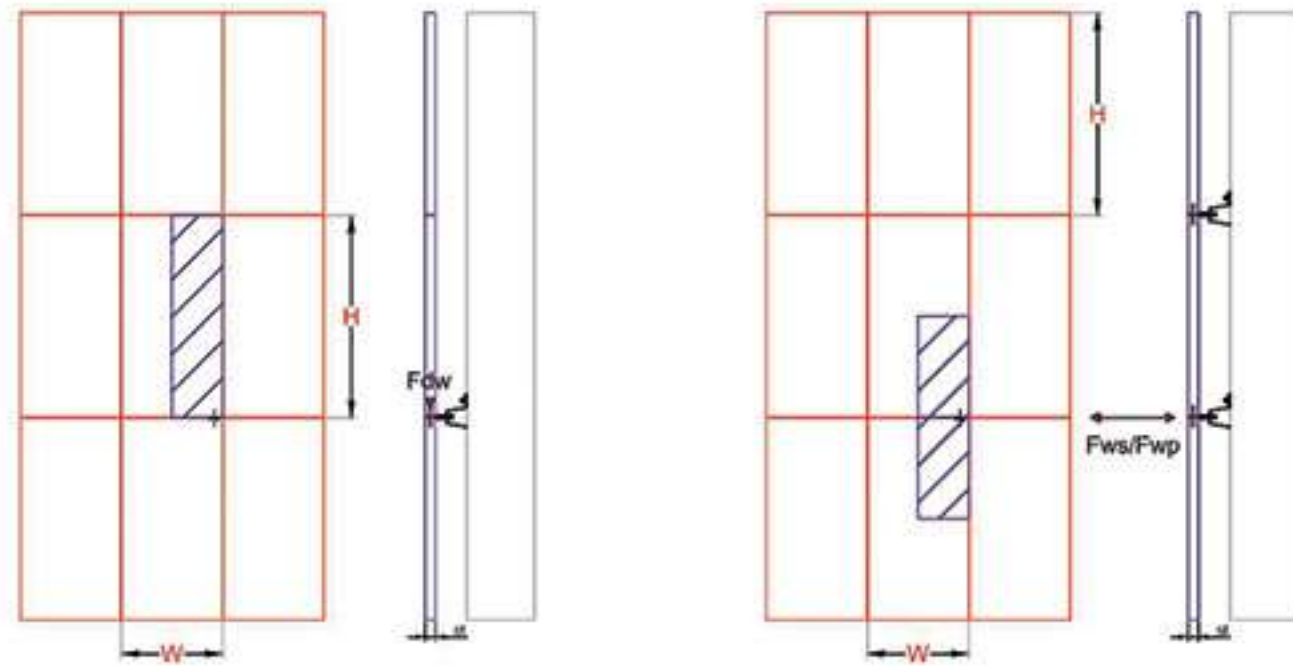


Load Details;

Vertical (Dead Load) and Horizontal (Wind Load) loads are determined according to the following diagram. The following principle is applied before designing a fixing system.

Support anchor in horizontal joint
Vertical load from dead load
 $FDW = (st \times w \times h \times ds) / 2$ (for each anchor)

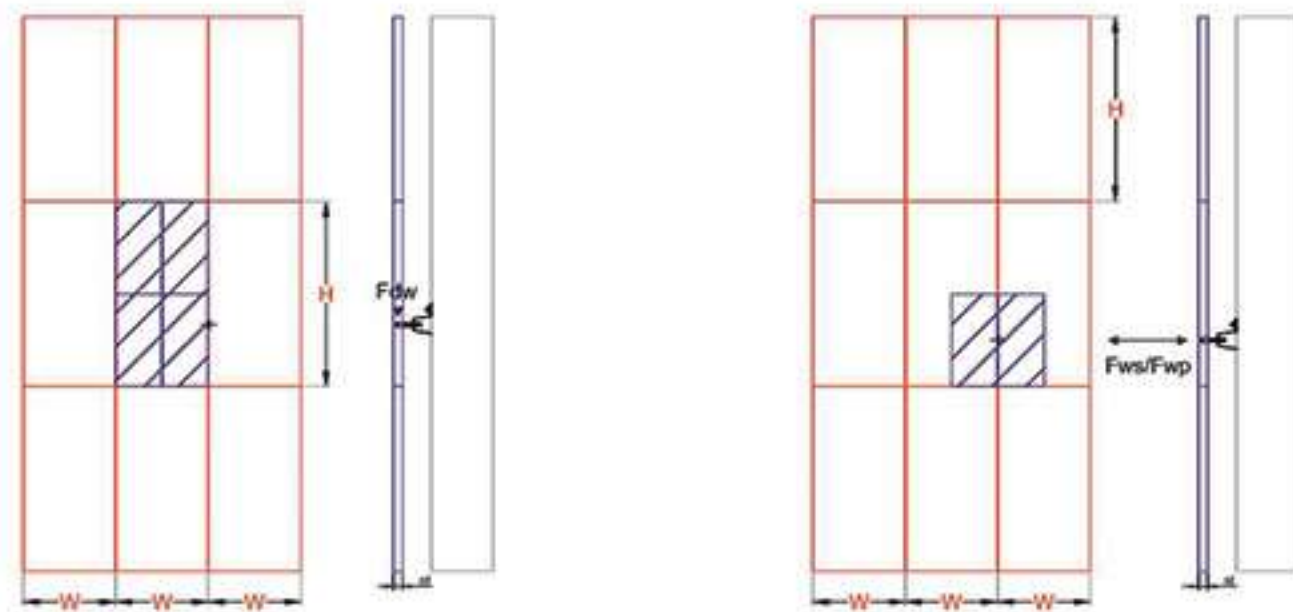
Restraint anchor in horizontal joint
 $FWP = (w \times h \times qp) / 2$ (for each anchor)
 $FWS = (w \times h \times qs) / 2$ (for each anchor)



FDW = Dead load
FWP = Wind load at pressure case
FWS = Wind load at suction case
ds = Density of stone
qw = Design wind pressure
qs = Design wind suction
t = Thickness of stone
w = Width of stone
h = Height of stone

Support anchor in vertical joint
Vertical load from dead load
 $FDW = (st \times w \times h \times ds) / 1$ (for each anchor)

Restraint anchor in vertical joint
 $FWP = (w \times h \times qp) / 2$ (for each anchor)
 $FWS = (w \times h \times qs) / 2$ (for each anchor)



Material Grade

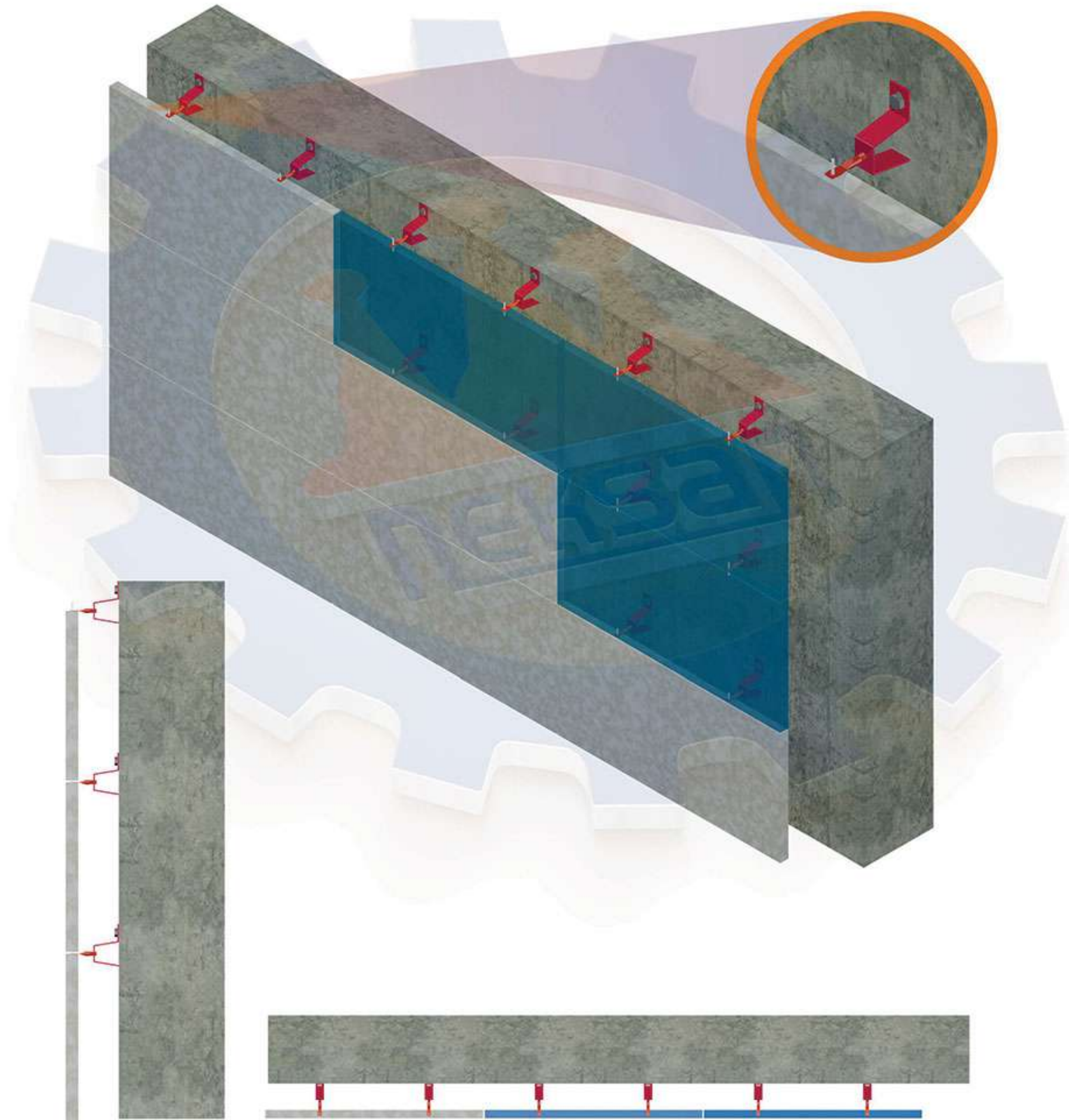
Anchors, adjustable arms and pins must be stainless steel grade AISI 304 - 1.4301 (A2) & AISI 316-1.4401 (A4).

Recommended material specifications for fixing systems are shown in the following table.

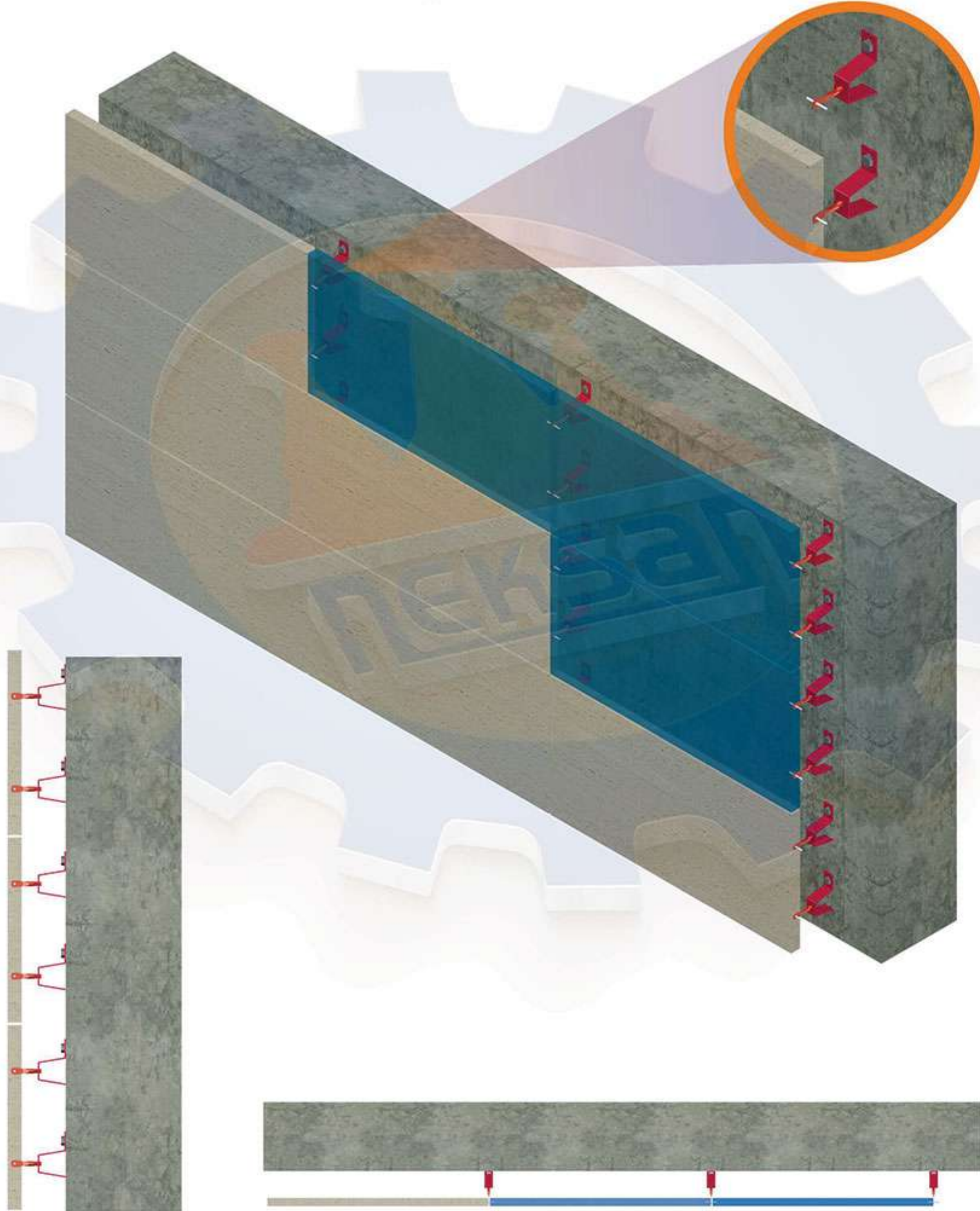
| PRODUCT | Stainless Steel | Steel |
|--------------|---|--|
| | AISI = W.-Nr. | DIN = W.-Nr. |
| Anchors | 304 = 1.4301 316 = 1.4401 316Ti = 1.4571 | Not Advisable |
| Channels | 304 = 1.4301 316 = 1.4401 | Hot dip galv. St 37-2 = 1.0037 Hot dip galv. St 44-2 = 1.0044 |
| Bolts | DIN 933 (A2/50-A2/70) A4/50-A4/70 | Electro galv. St 37 Strength class 4.6/8.8 |
| Hexagon Nuts | DIN 934 & DIN 439 (A2/50-A2/70) A4/50-A4/70 | Electro galv. St 37 Strength class 8 |
| Washers | DIN 125 | ST DIN 125 |

Direct Fixing To The Concrete Walls;

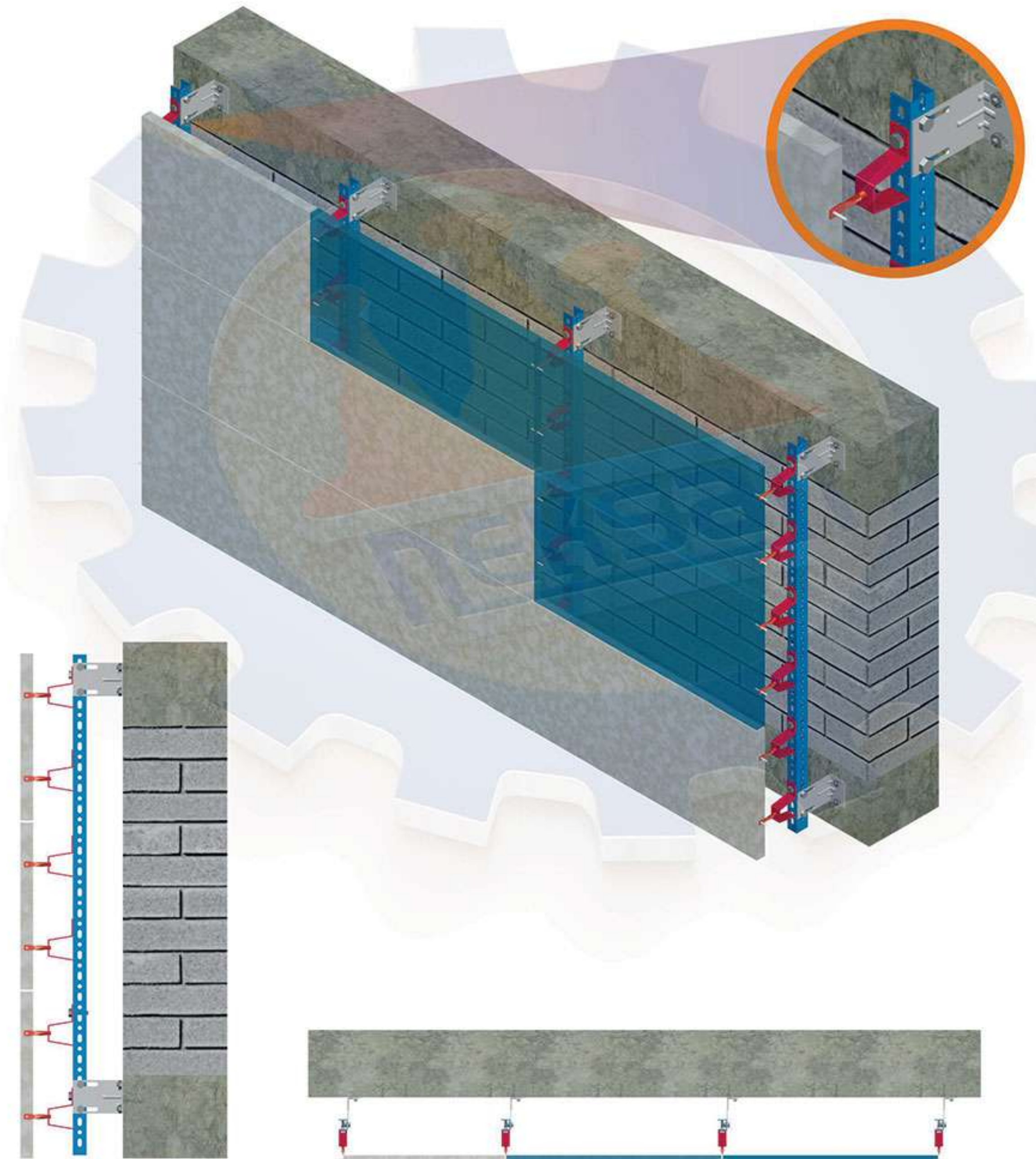
Before the insulation anchor plate fixing to concrete with bolt anchors using expansion bolts. after that insulation is cut at each anchoring point.



Direct Fixing To The Concrete Walls

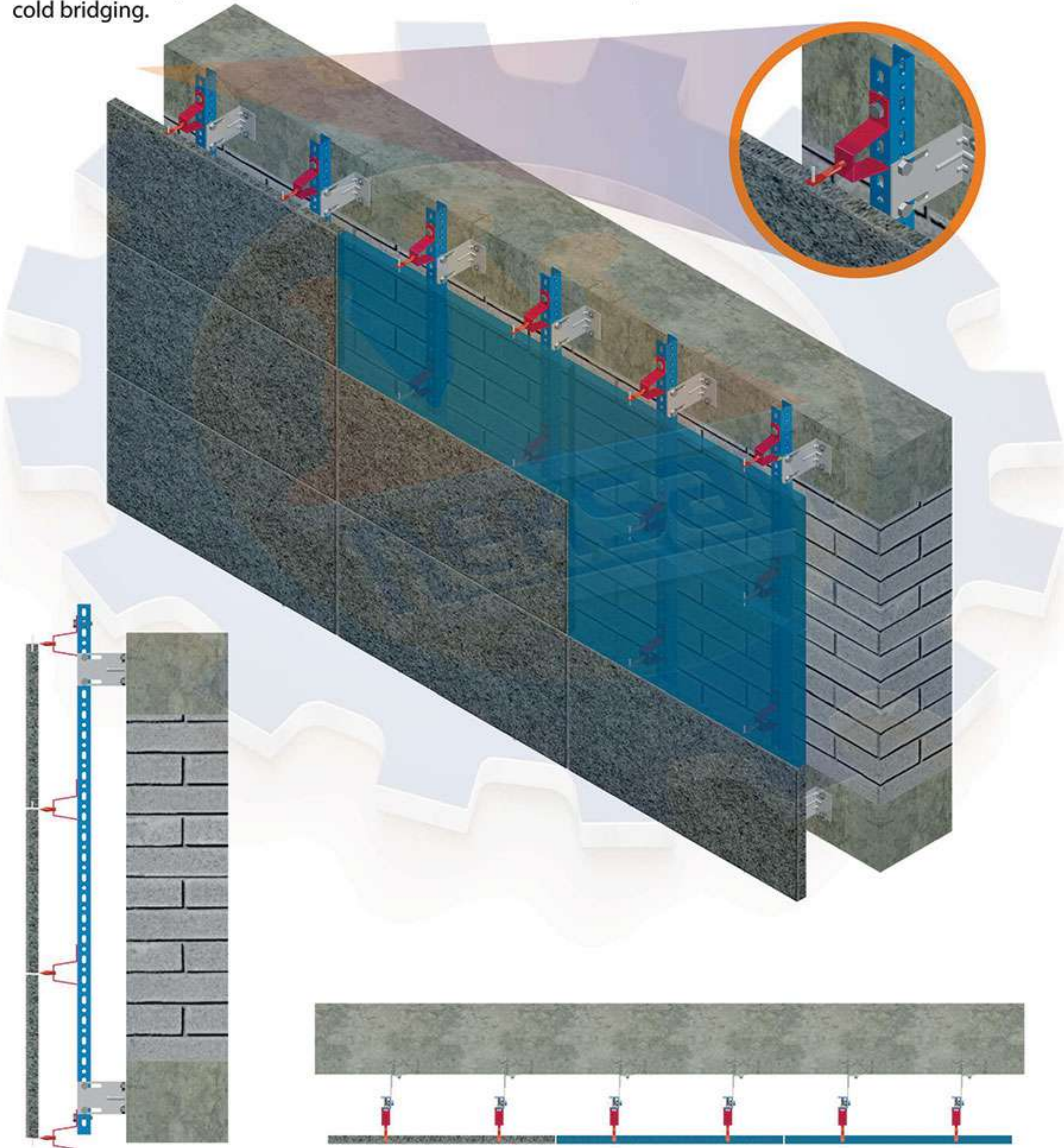


Vertical Fixing To Load Bearing Beams With Channel Systems

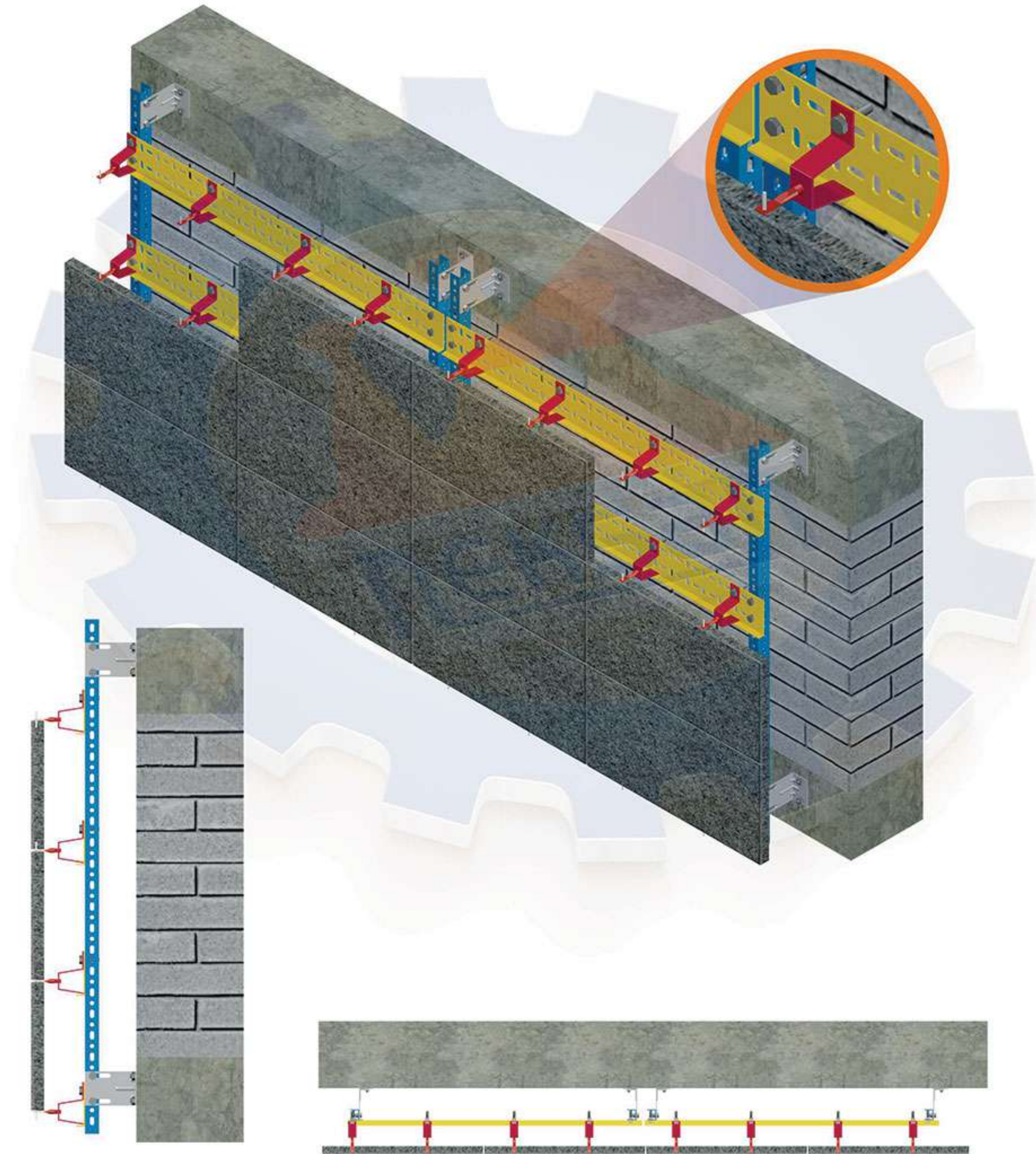


Fixing To Load Bearing Beams With Channel System

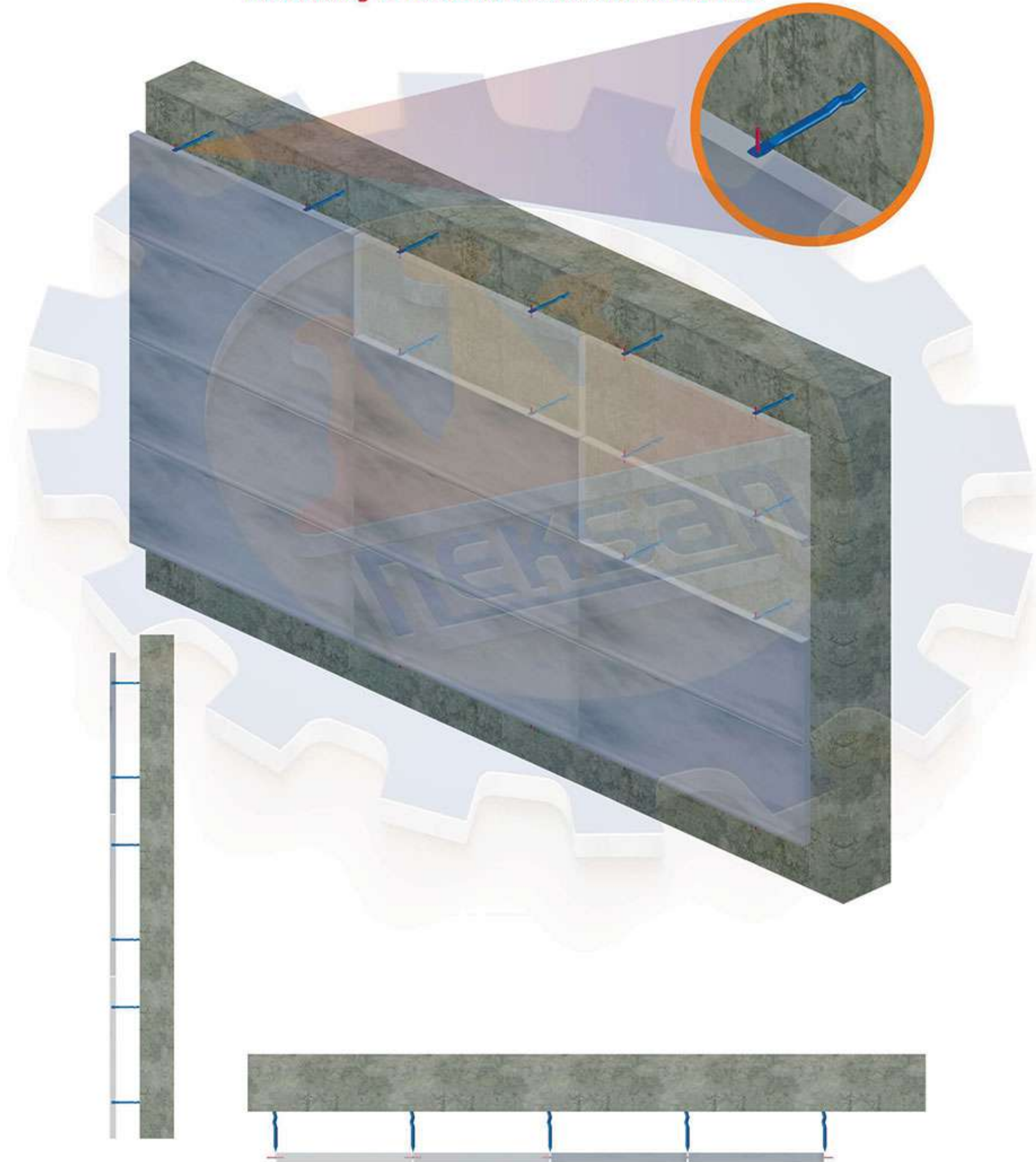
Fixing to channel structure supported with anchor to load bearing beams. Insulation is cut at each anchoring point. To fasten anchors on to isolated walls, the isolation must be cut first. After fastening, the cut out isolation piece must be inserted back, and the isolation parts must be sealed in order to reduce cold bridging.



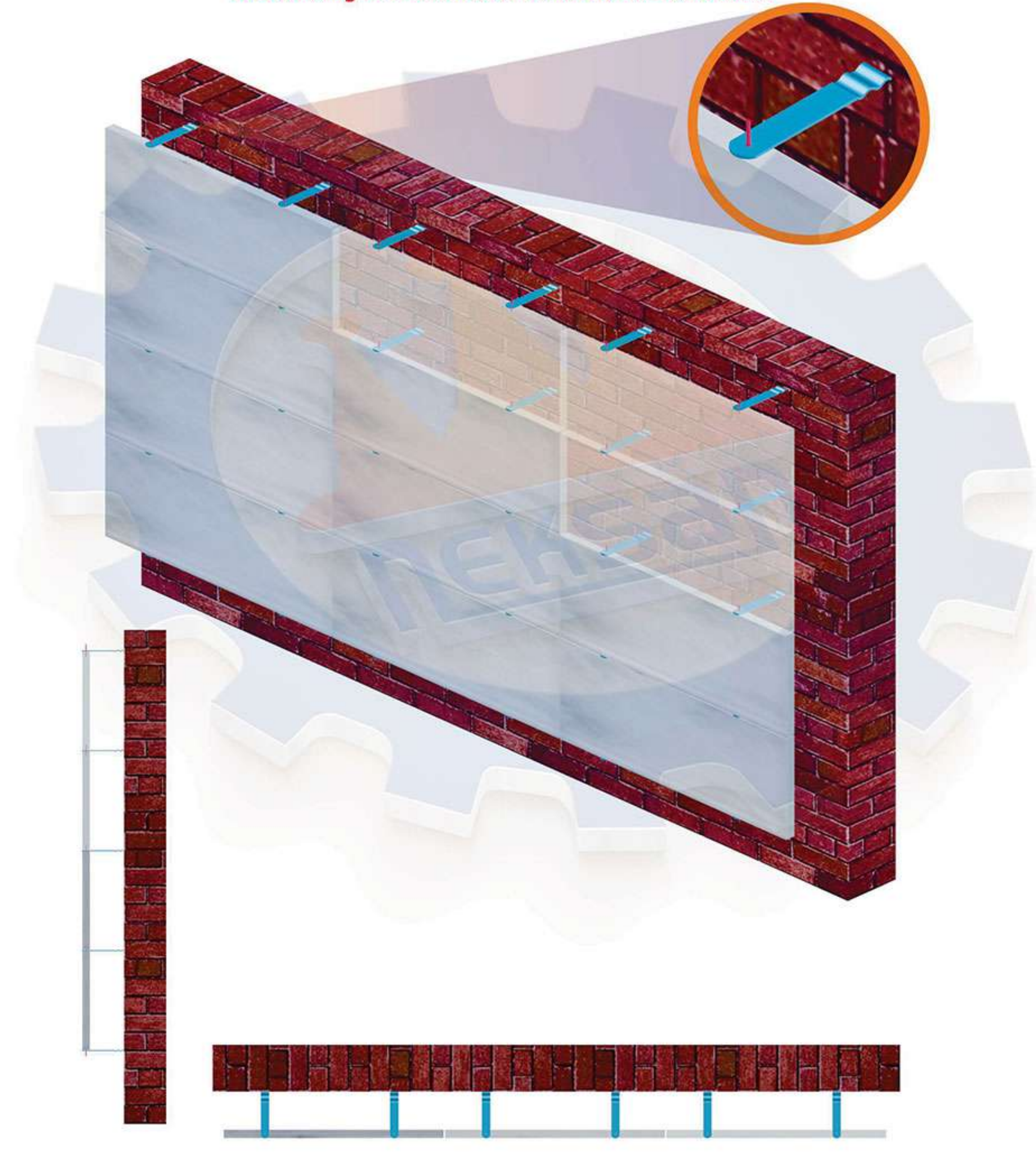
Fixing To Load Bearing Beams With Horizontal Channel System



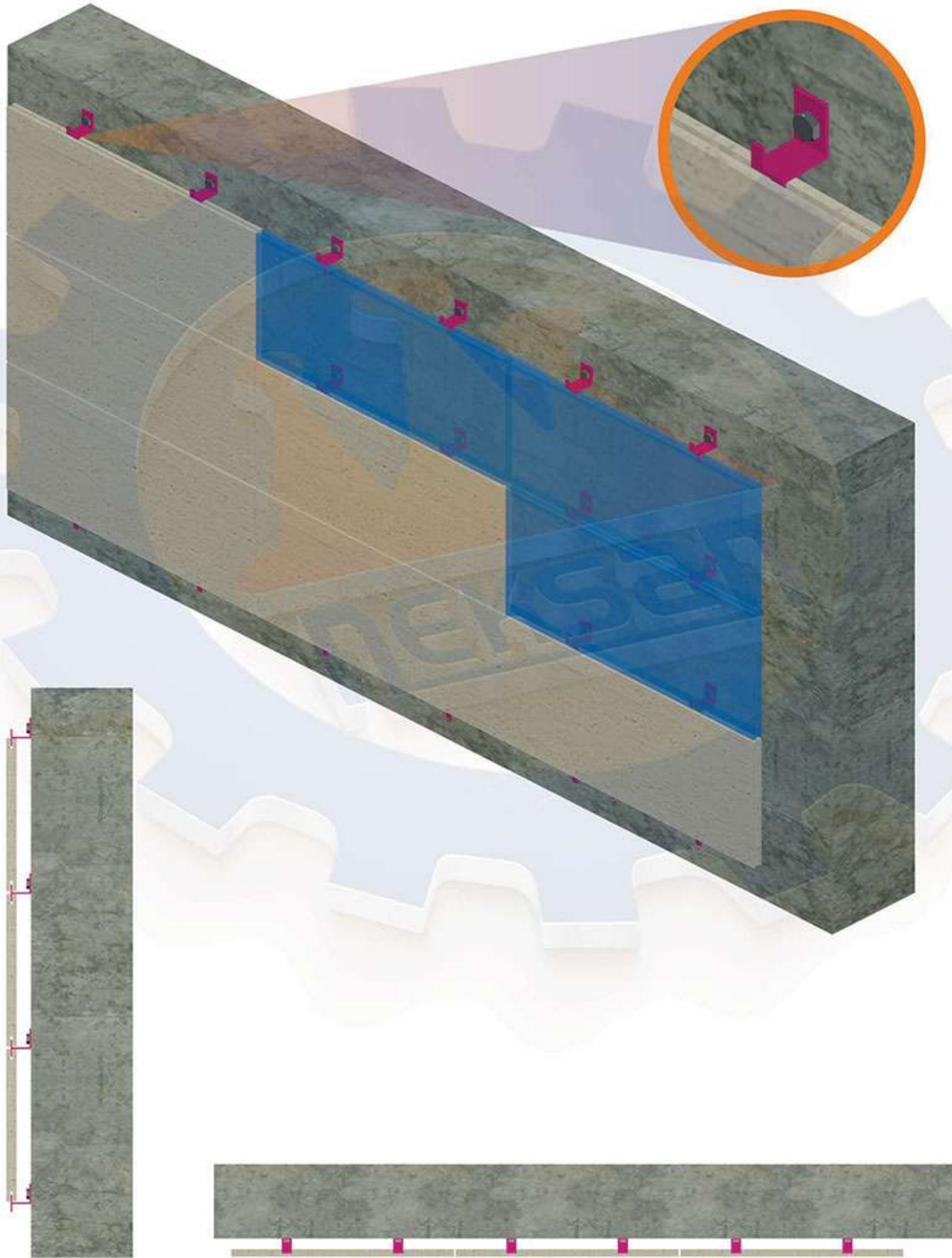
Direct Fixing To The Concrete Walls With Wire Anchor



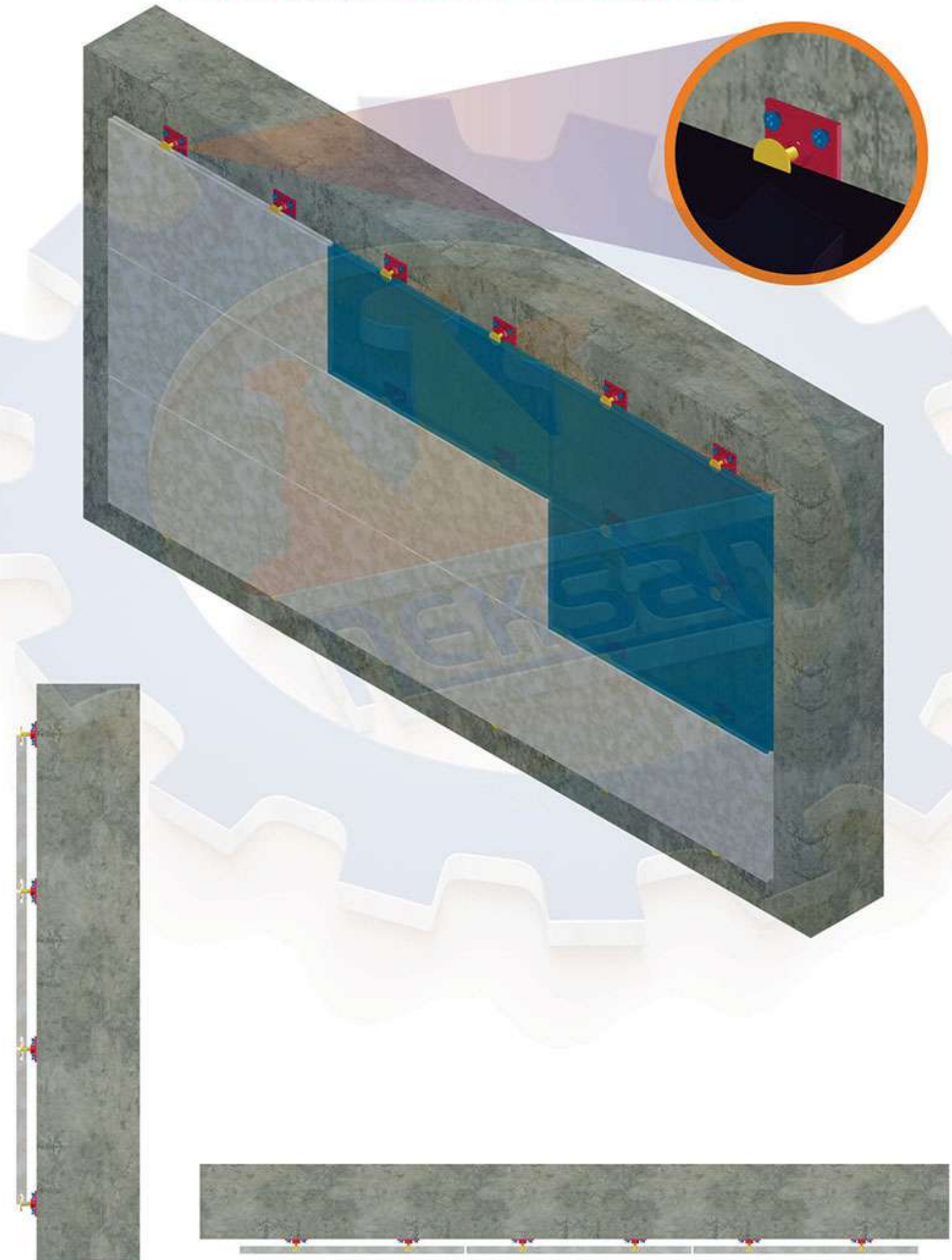
Direct Fixing To The Concrete Walls With Mortar Anchor



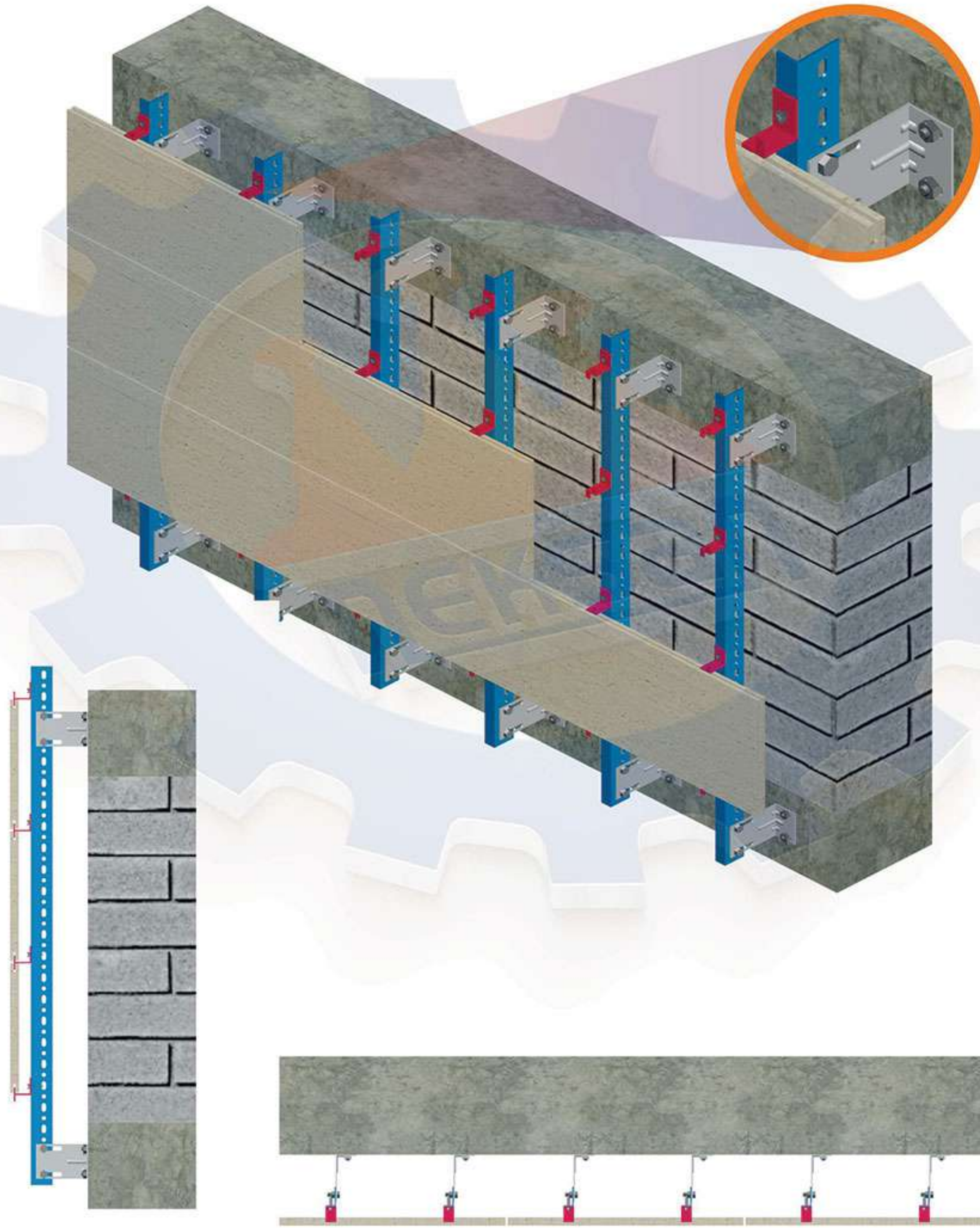
Direct Fixing To The Concrete Walls With Up Down L Anchor



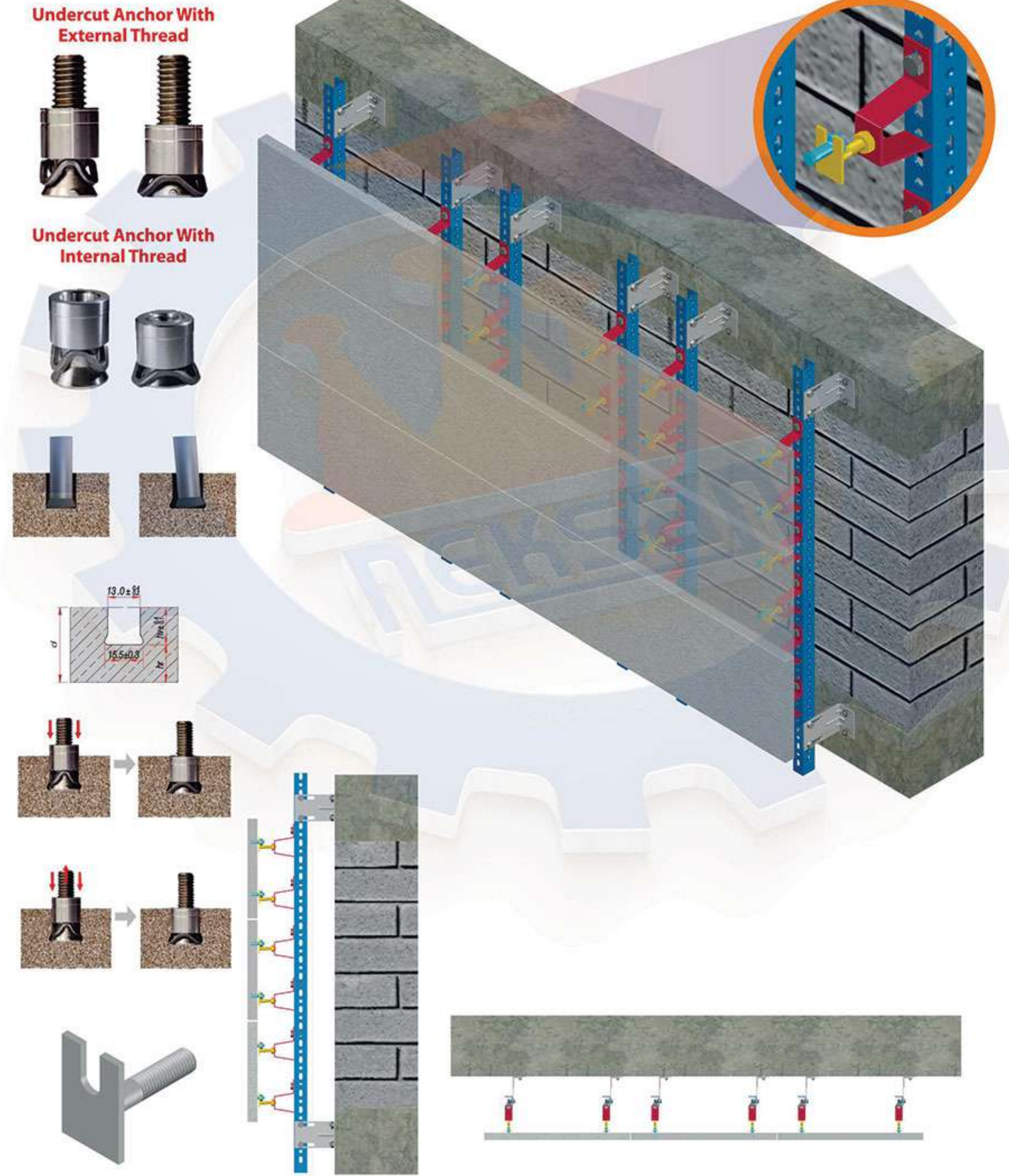
Direct Fixing To The Concrete Walls With Clip Anchor



Fixing To Load Bearing Beams With Up Down L Anchor, Channel System



Fixing To Load Bearing Beams With Undercut Anchor, Channel System



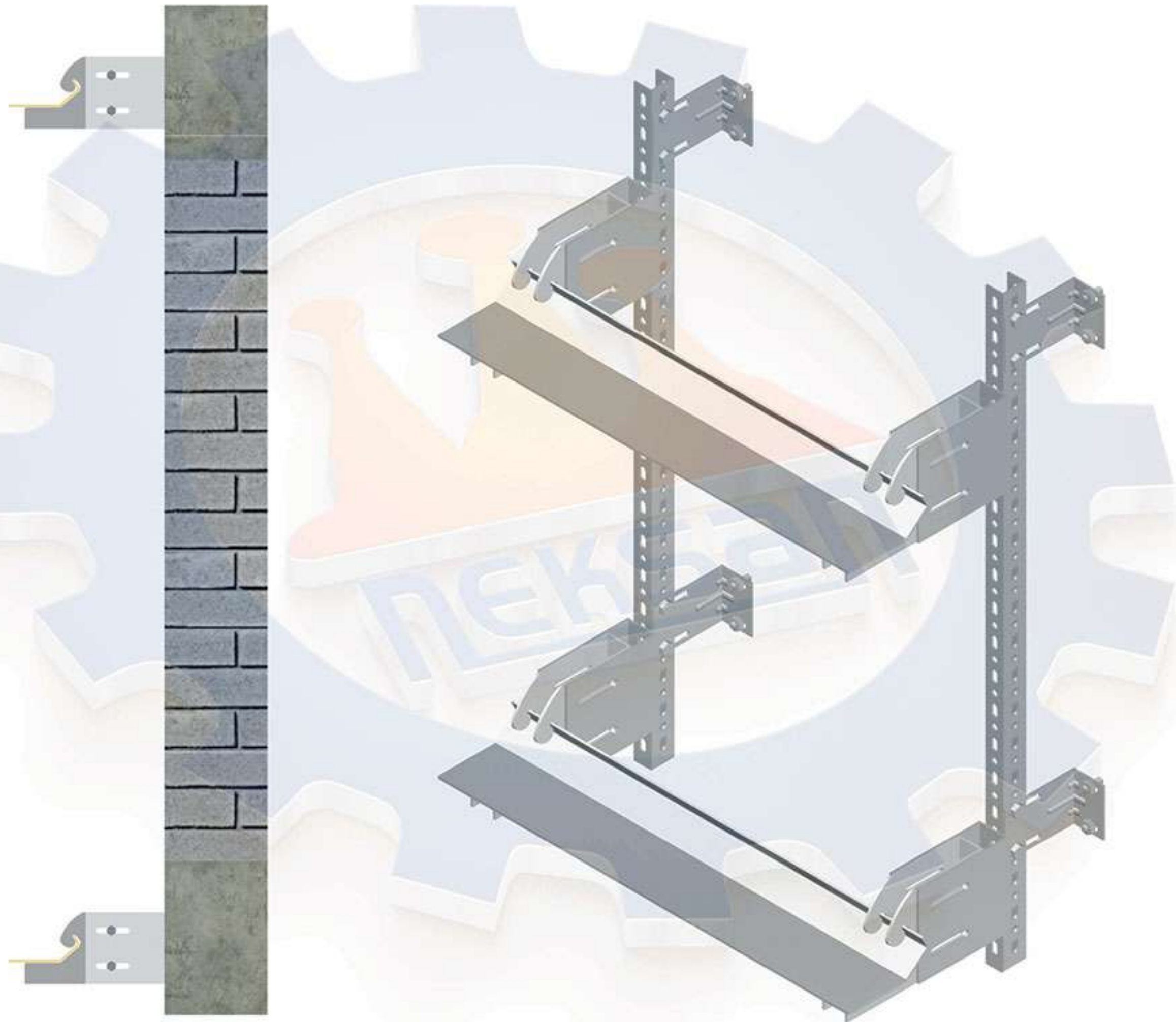
WIRE FINISHING SYSTEMS



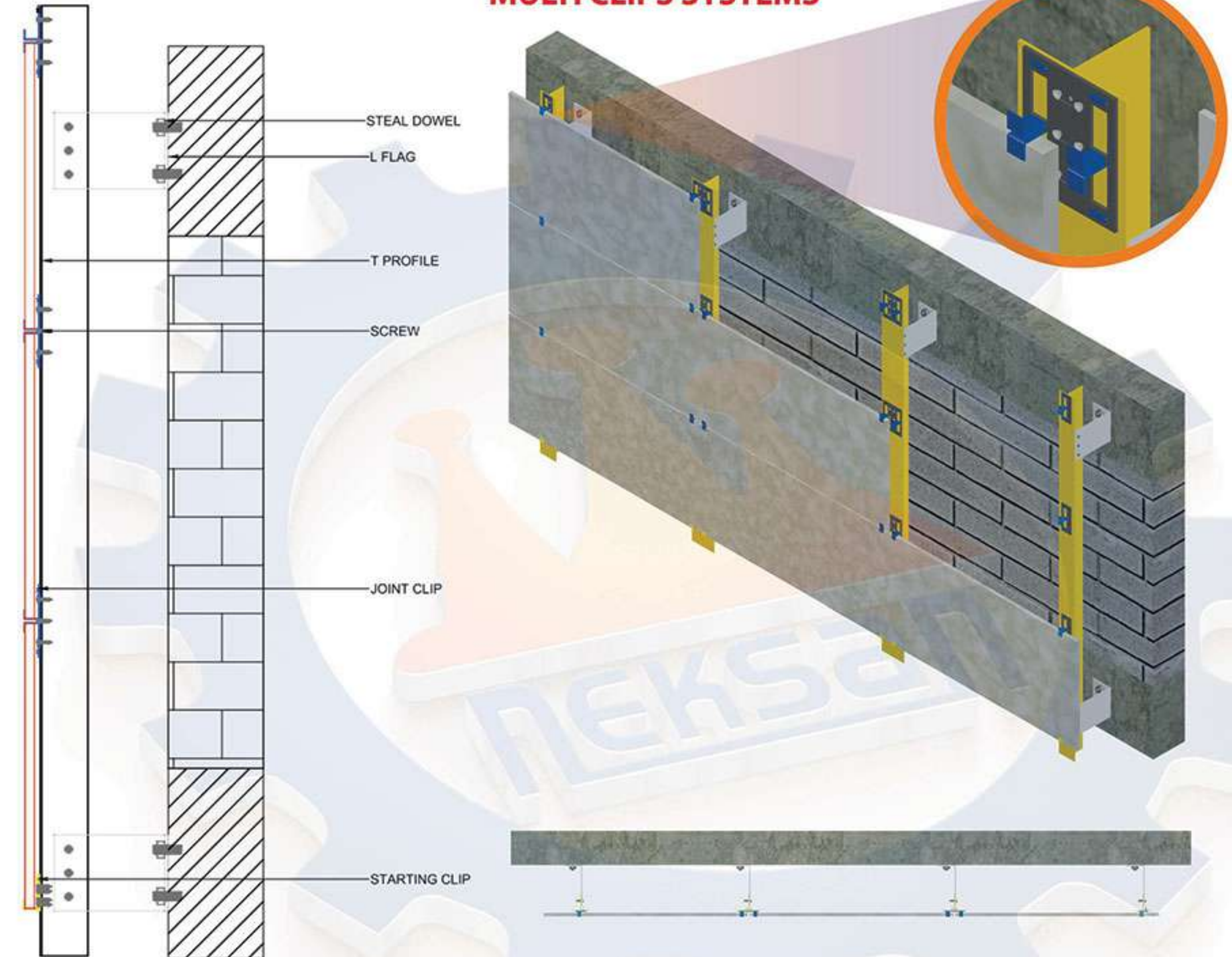
WIRE FINISHING SYSTEMS



BRICKWORK SUPPORT FIXING SYSTEMS



MULTI CLIPS SYSTEMS



L FLAG



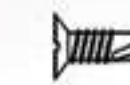
T PROFILE



STEEL DOWEL



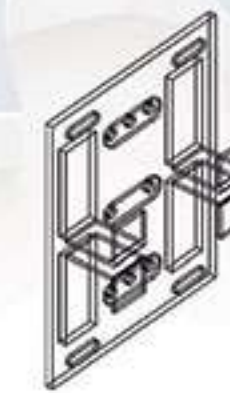
BRICK DOWEL



3,9x19
YhHB. MU. Vida
SCREW



5,5x25
AKB M.U.
SCREW



MULTI CLIP



HALF
MULTI CLIP

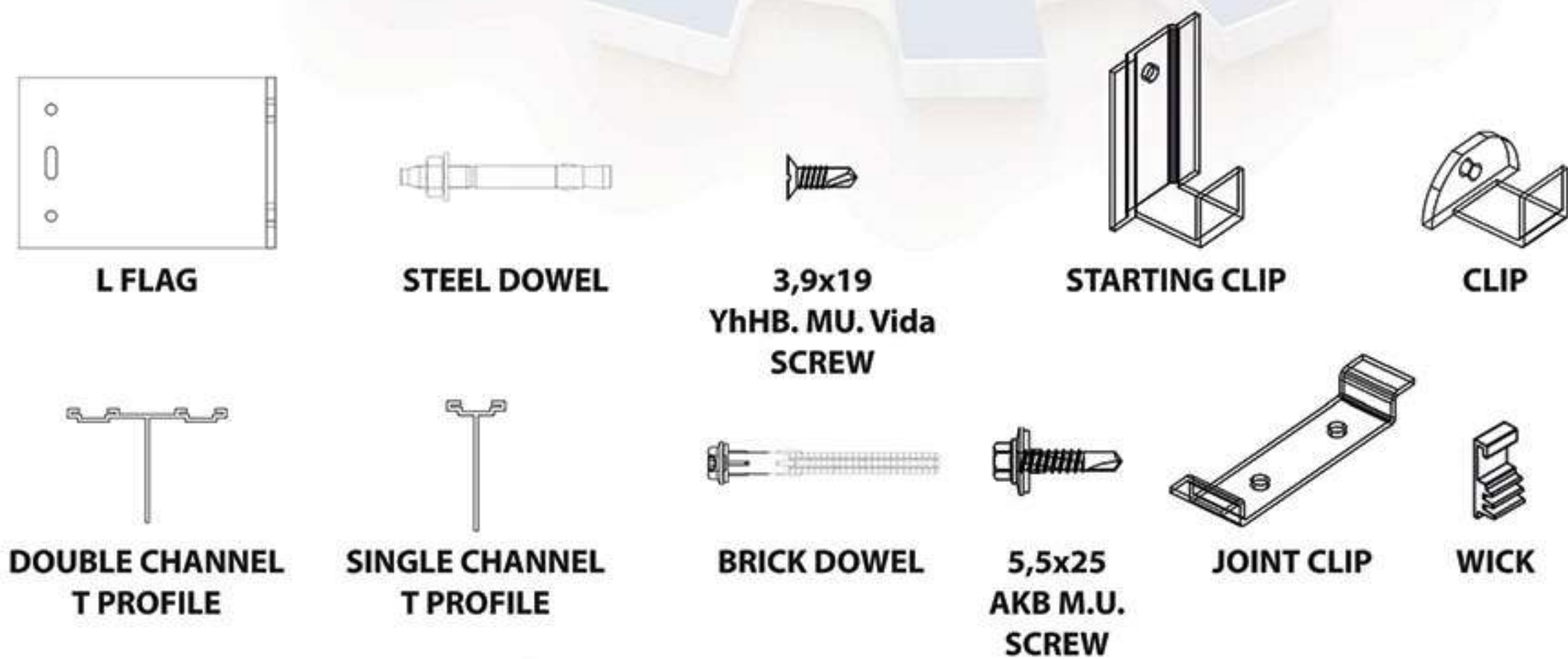
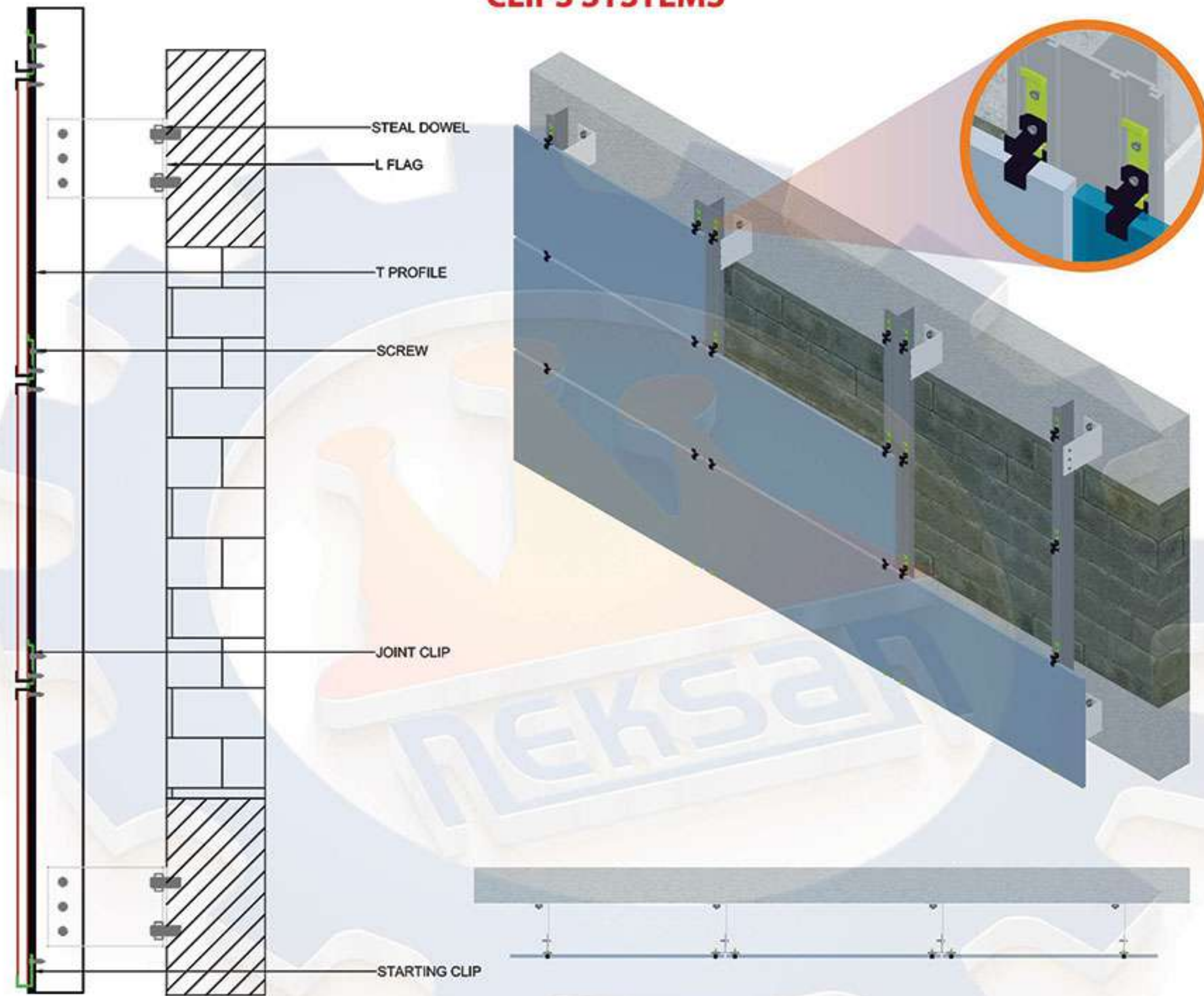


STARTING
MULTI CLIP

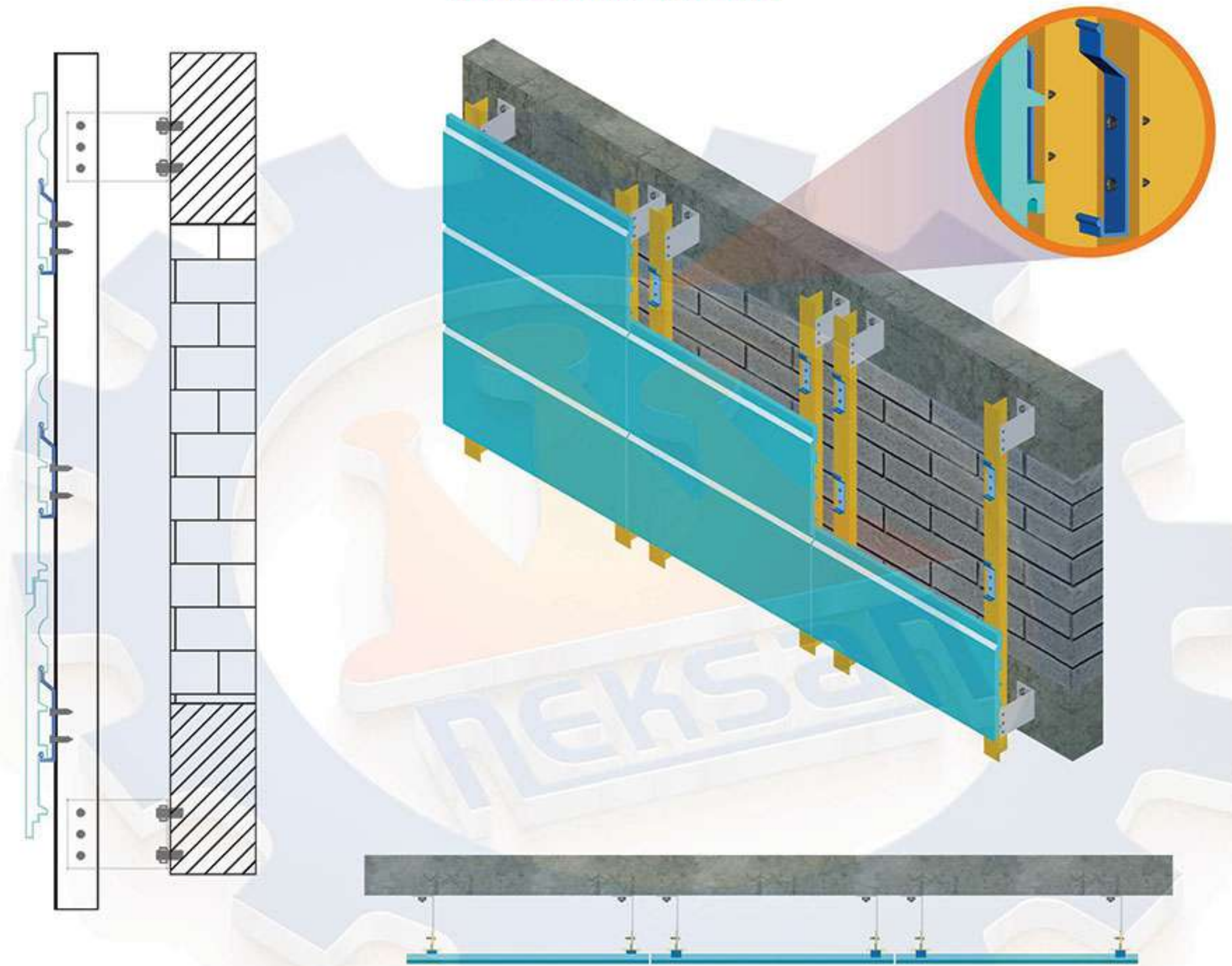


WICK

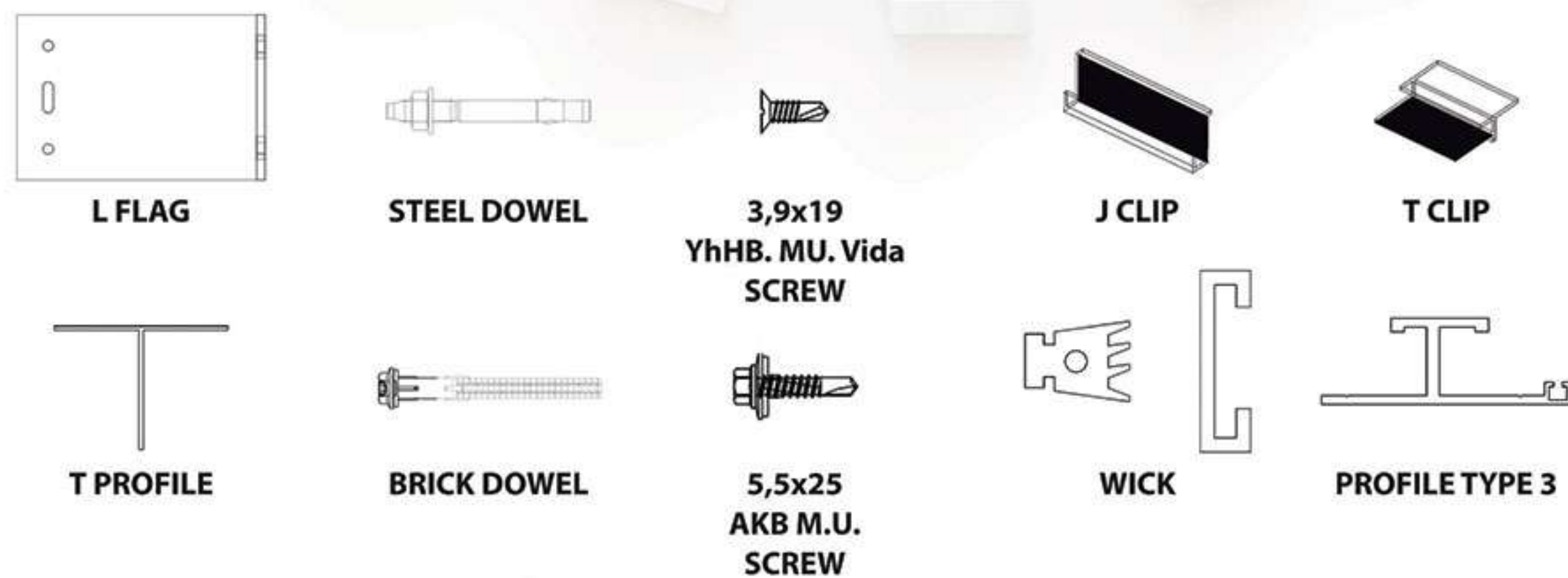
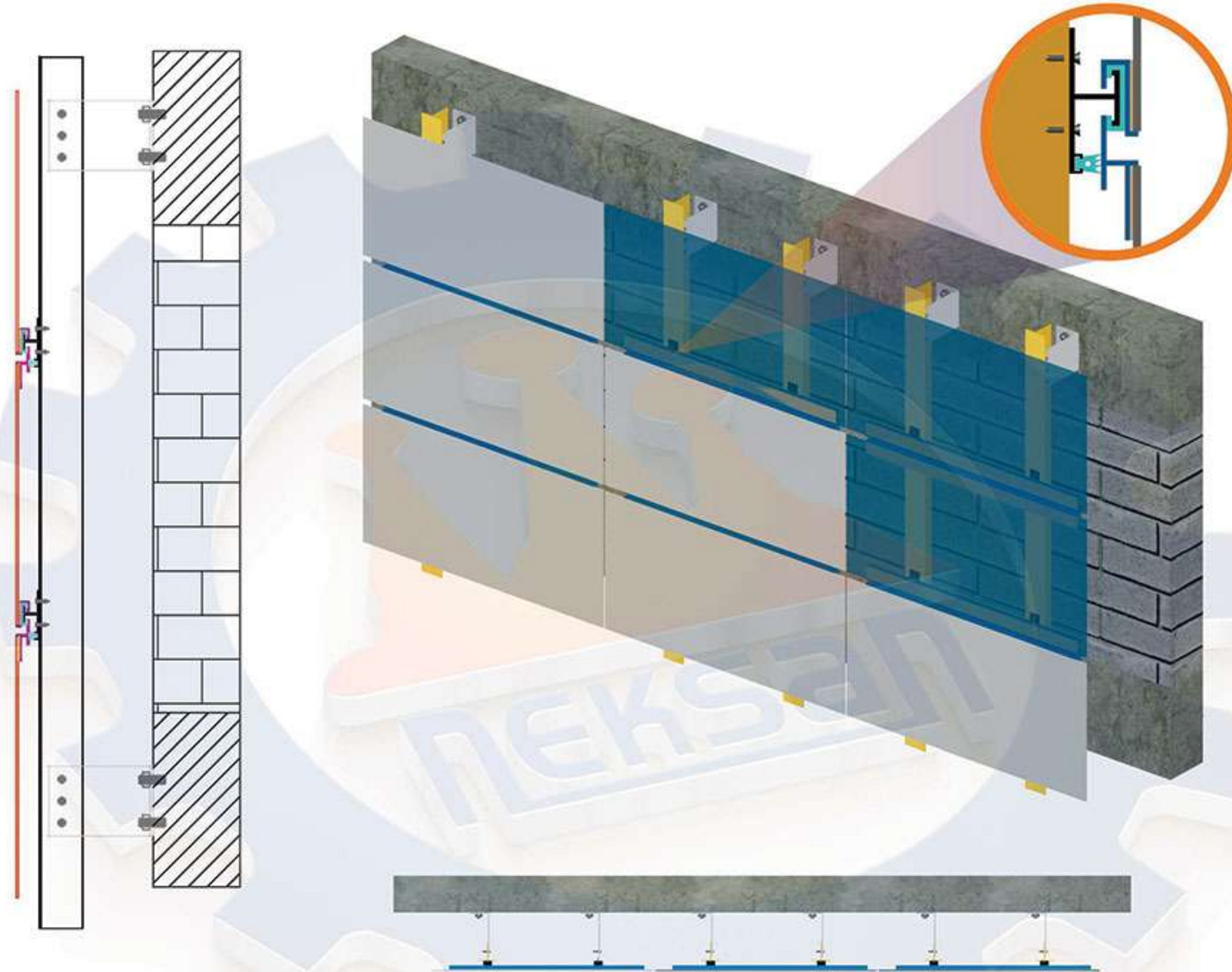
CLIPS SYSTEMS



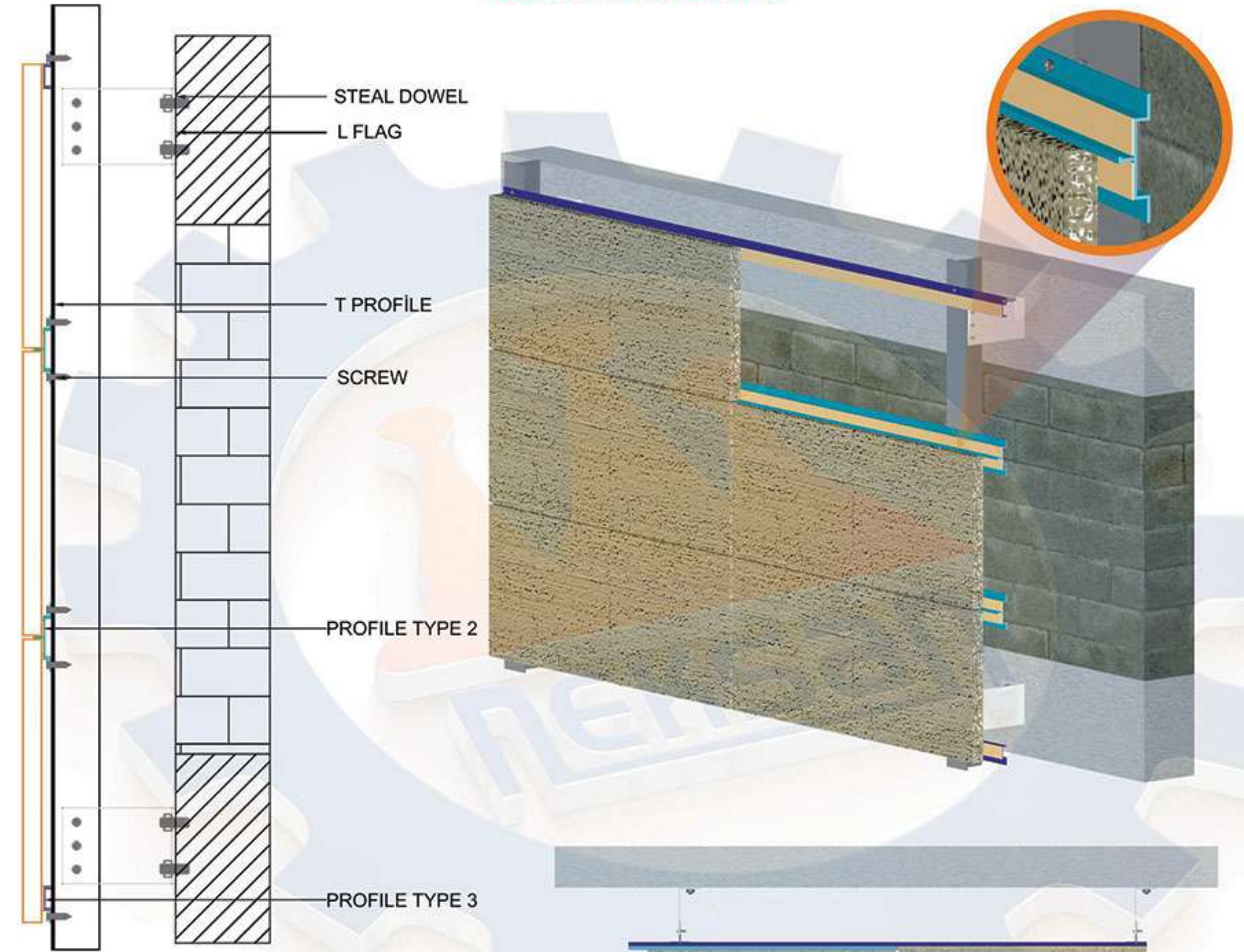
TERRACOTA SYSTEMS



SINTERFLEX SYSTEMS



BONDING SYSTEMS



CERAMIC CLADDING BONDING SYSTEMS



L FLAG



STEEL DOWEL



3,9x19
YhHB. MU. Vida
SCREW



SINGLE
JOINT PROFILE



T PROFILE



BRICK DOWEL

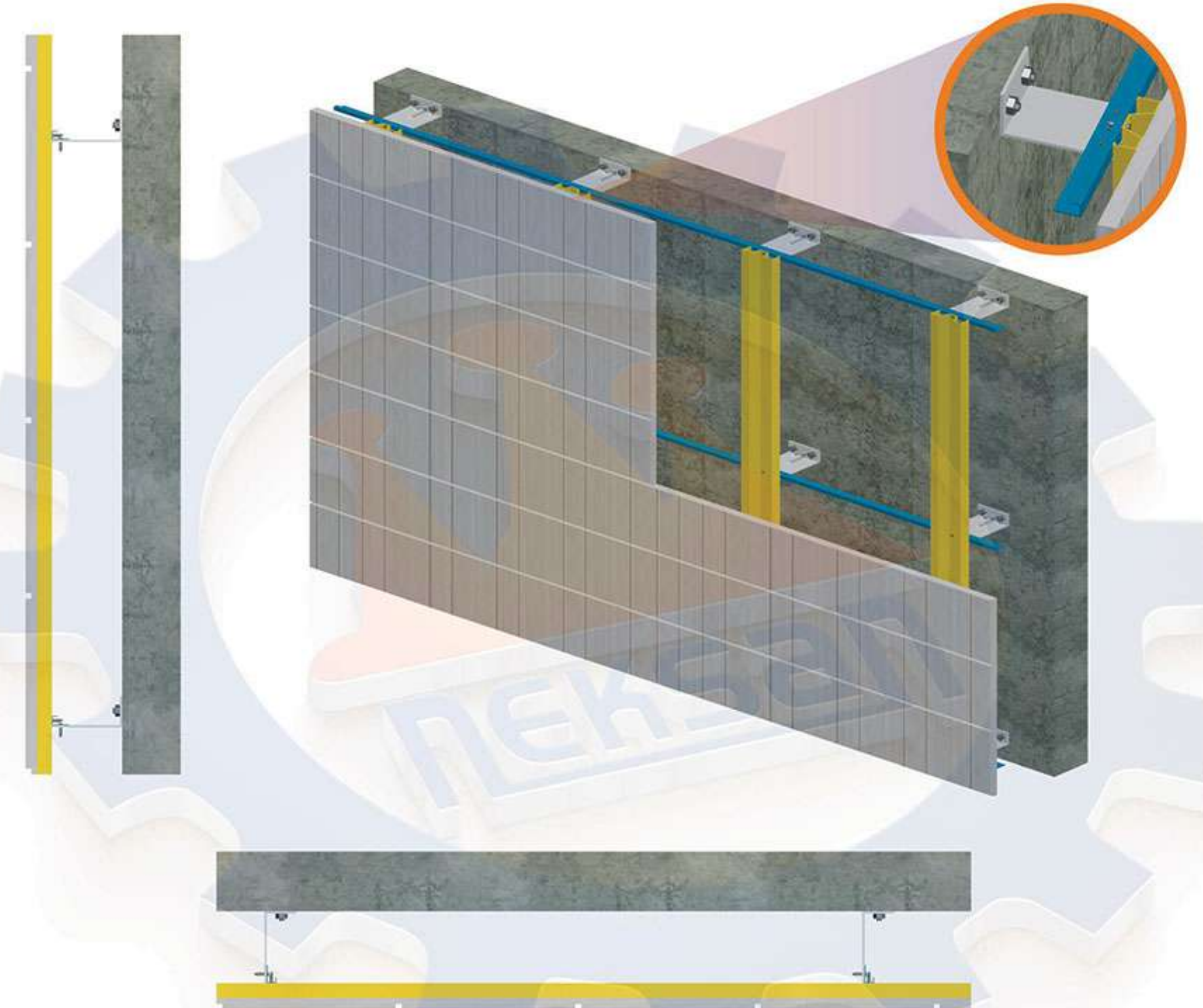


5,5x25
AKB M.U.
SCREW



SINGLE
JOINT PROFILE

FIBERCEMENT PANEL FIXING SYSTEMS



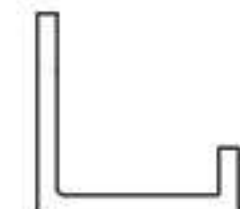
L FLAG



STEEL DOWEL



3,9x19
YhHB. MU. Vida
SCREW



J PROFILE



BRICK DOWEL

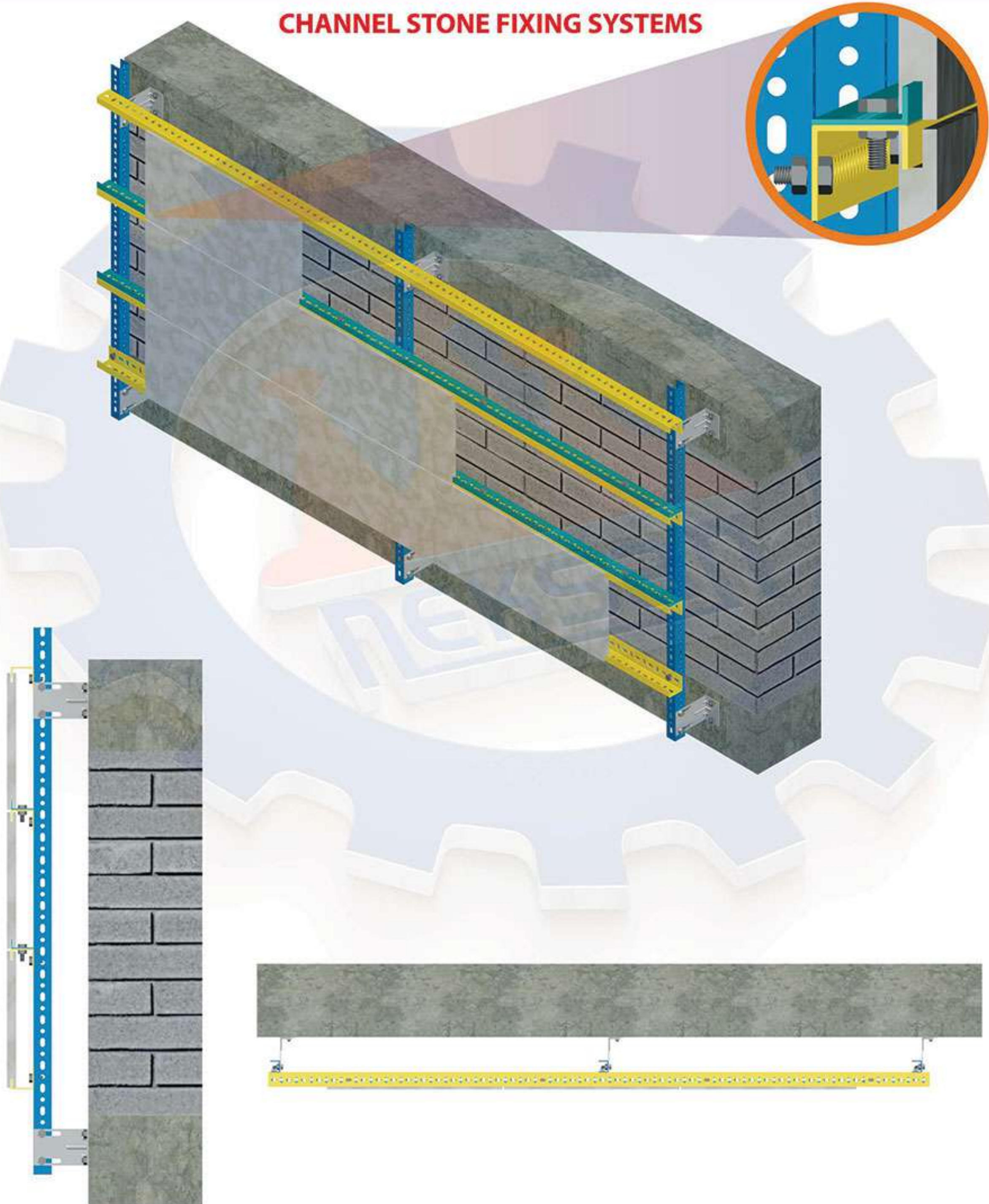


5,5x25
AKB M.U.
SCREW

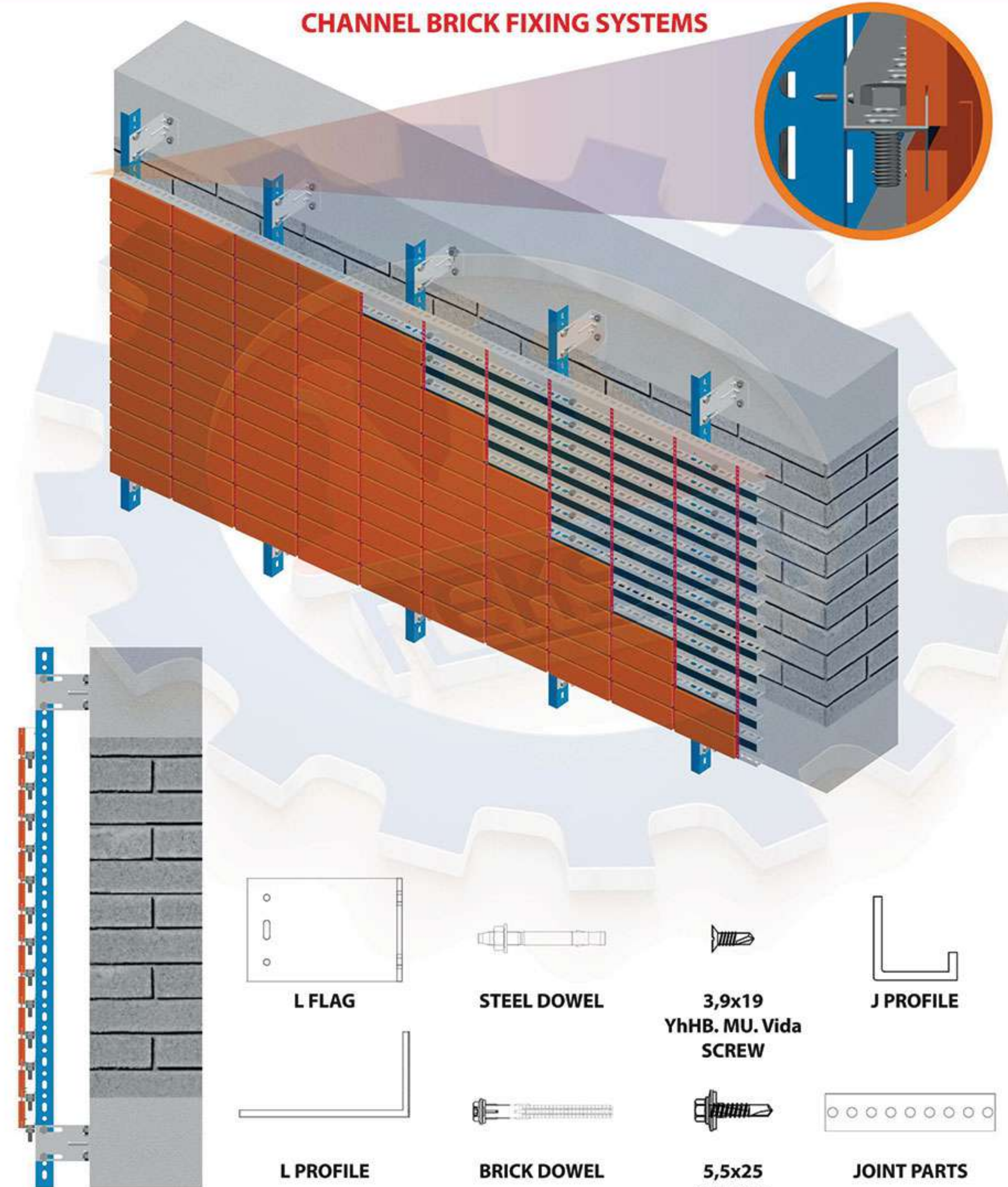




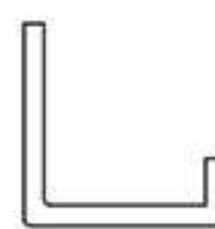



M
PROFILE

CHANNEL STONE FIXING SYSTEMS

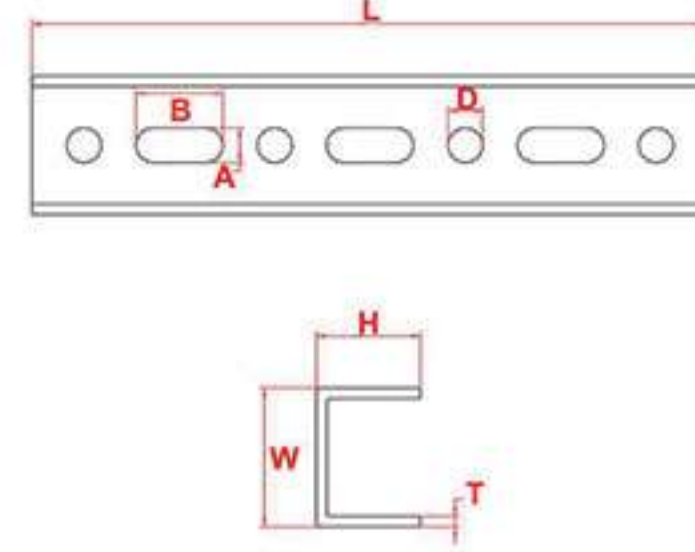
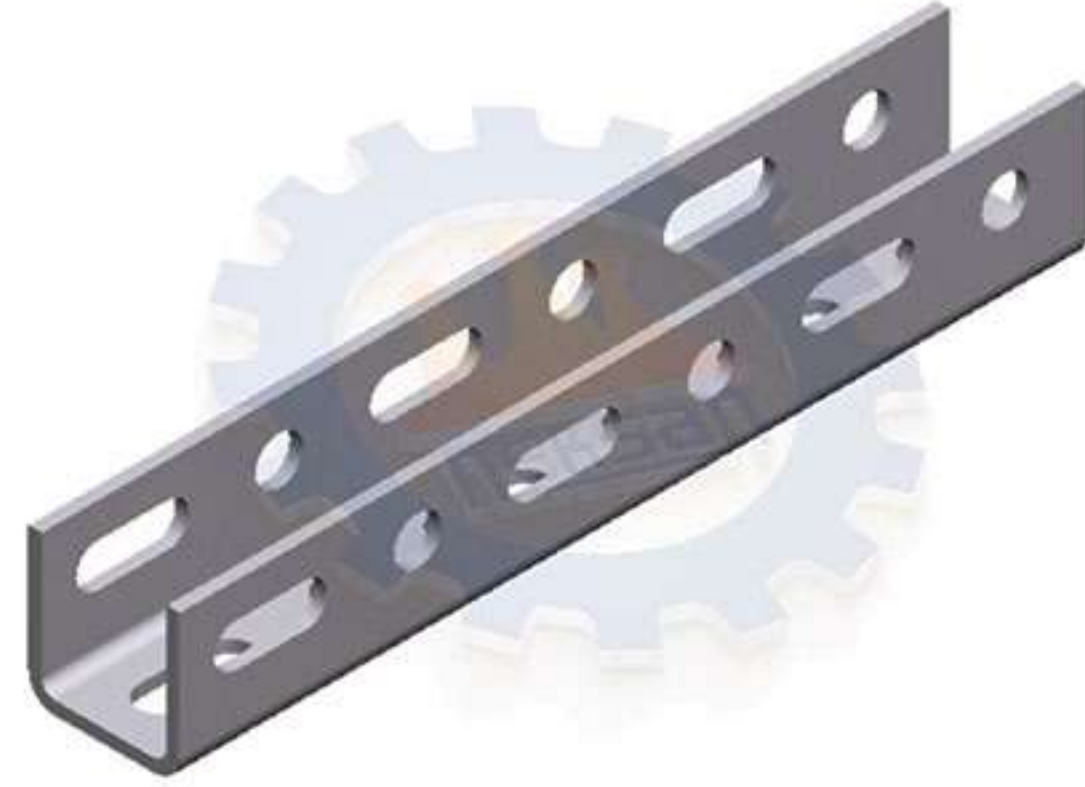


CHANNEL BRICK FIXING SYSTEMS



- | | | | |
|---|---|---|---|
|  |  |  |  |
| L FLAG | STEEL DOWEL | 3,9x19 YhHB. MU. Vida SCREW | J PROFILE |
|  |  |  |  |
| L PROFILE | BRICK DOWEL | 5,5x25 AKB M.U. SCREW | JOINT PARTS |

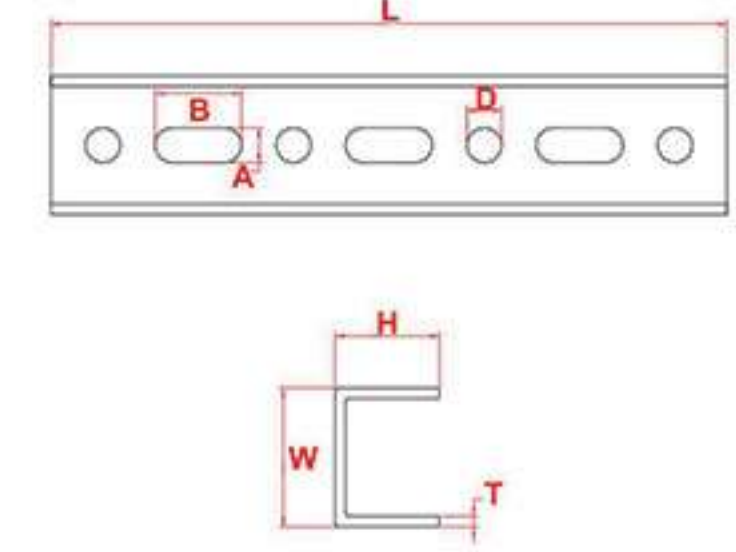
U Profile Type 1



| Ürün Kodu Product Code | T mm | W mm | H mm |
|---------------------------|---------|---------|---------|
| NM-UP-1 | 2 | 40 | 30 |
| NM-UP-2 | 2,5 | 40 | 30 |
| NM-UP-3 | 3 | 40 | 30 |
| NM-UP-4 | 4 | 40 | 40 |
| NM-UP-5 | 5 | 50 | 50 |

Especially preferred in exterior mounting of the buildings, marble and granite assemblies etc. Provides easy and safe assembly. Produced form up to 4 meters long. (4 meter is also included). Available in 8-10 micron Electro Galvanized. Upon request can also be produced in Hot Dip Galvanized or 304 Quality Stainless Steel (INOX).

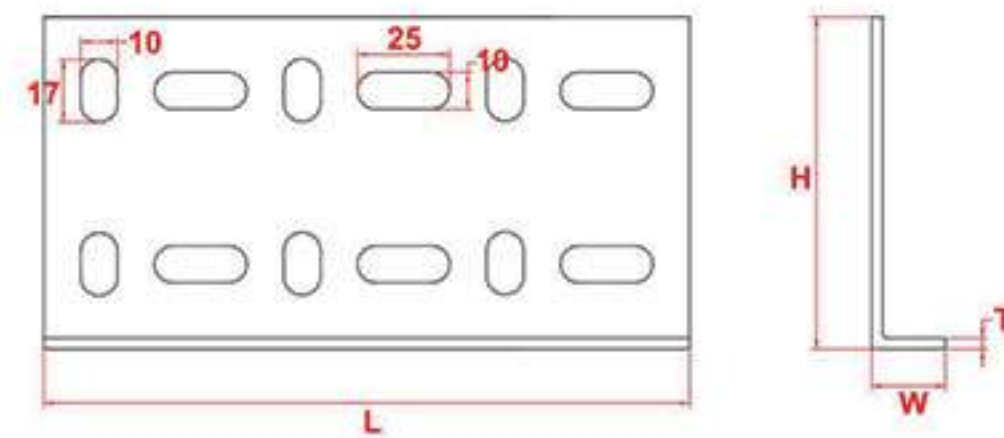
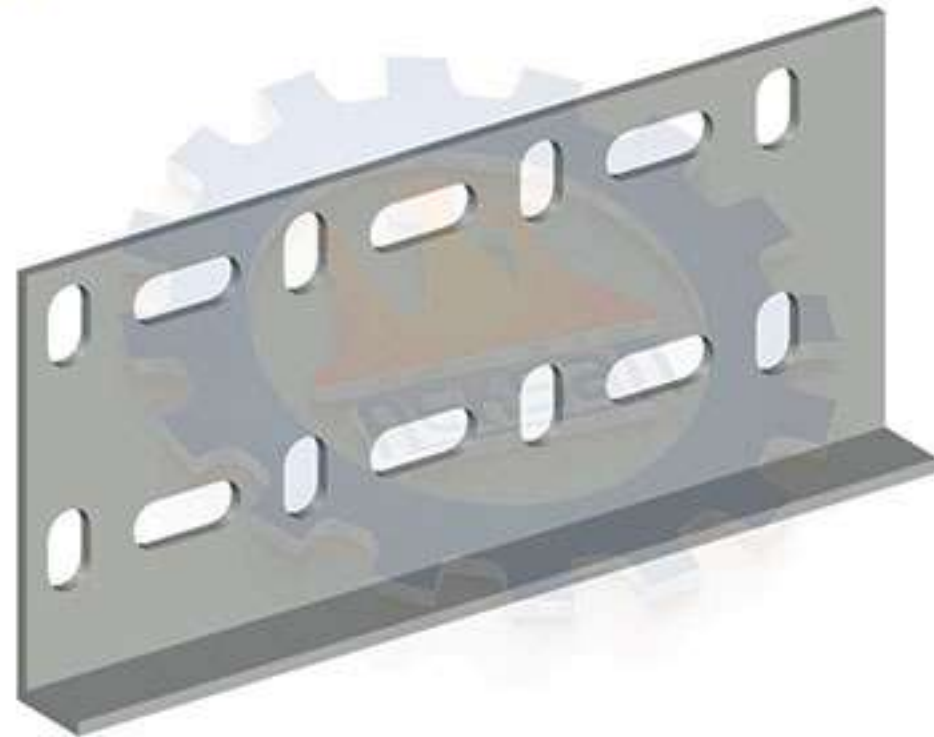
U Profile Type 2



| Ürün Kodu Product Code | T mm | W mm | H mm |
|---------------------------|---------|---------|---------|
| NM-UP-6 | 2 | 40 | 30 |
| NM-UP-7 | 2,5 | 40 | 30 |
| NM-UP-8 | 3 | 40 | 30 |
| NM-UP-9 | 4 | 40 | 40 |
| NM-UP-10 | 5 | 50 | 50 |

Especially preferred in exterior mounting of the buildings, marble and granite assemblies etc. Provides easy and safe assembly. Produced form up to 4 meters long. (4 meter is also included). Available in 8-10 micron Electro Galvanized. Upon request can also be produced in Hot Dip Galvanized or 304 Quality Stainless Steel (INOX).

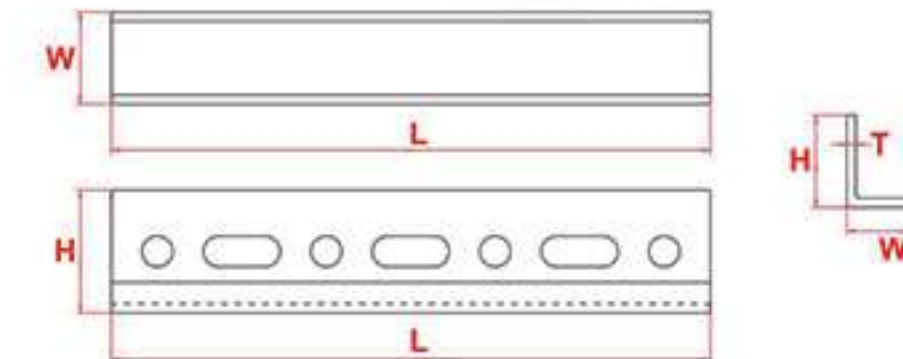
L Profile



| Ürün Kodu Product Code | T mm | W mm | H mm |
|---------------------------|---------|---------|---------|
| NM-LP-1 | 2 | 15 - 20 | 85 - 90 |
| NM-LP-2 | 2,5 | 15 - 20 | 85 - 90 |
| NM-LP-3 | 3 | 15 - 20 | 85 - 90 |
| NM-LP-4 | 4 | 15 - 20 | 85 - 90 |
| NM-LP-5 | 5 | 15 - 20 | 85 - 90 |

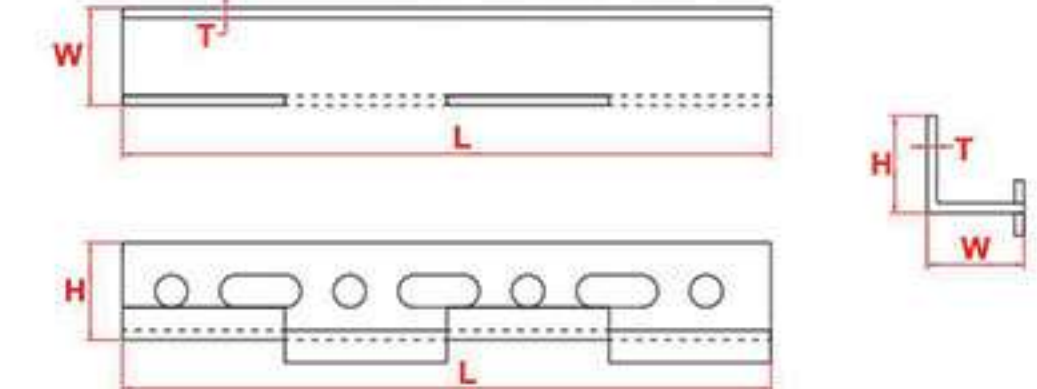
Especially preferred in exterior mounting of the buildings, marble and granite assemblies etc. Provides easy and safe assembly. Produced form upto 4 meters long. (4 meter is also included). Available in 8-10 micron Electro Galvanized.

J Profile



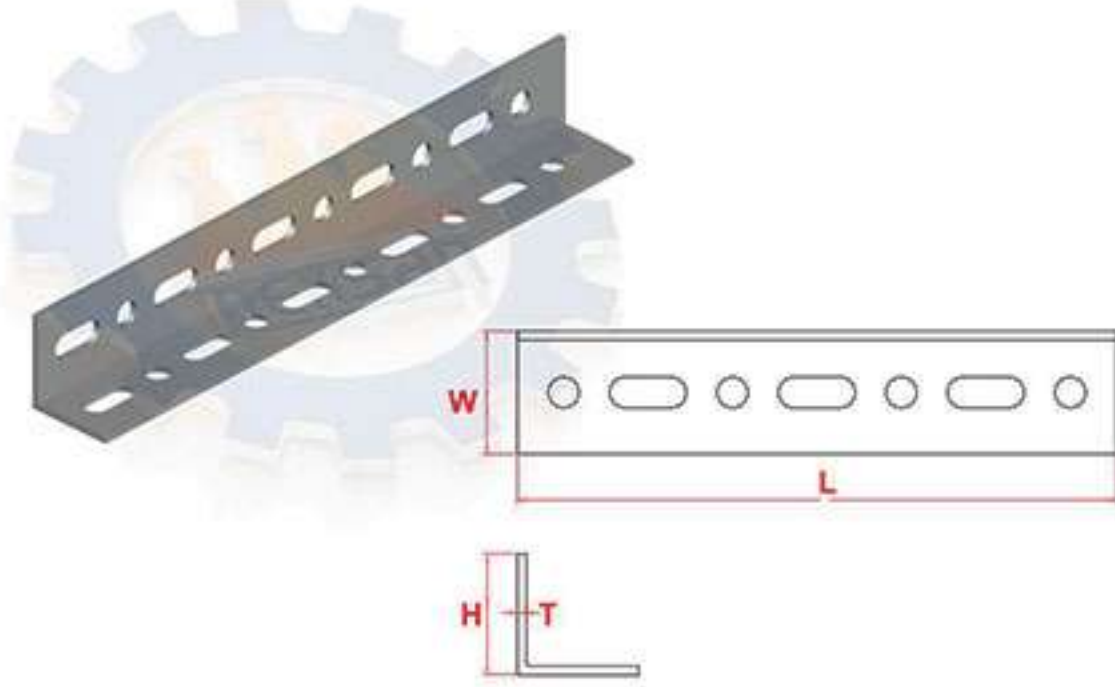
| Ürün Kodu Product Code | T mm | W mm | H mm |
|---------------------------|---------|---------|---------|
| NM-JP-1 | 1,20 | 28 | 38 |
| NM-JP-2 | 1,50 | 28 | 38 |
| NM-JP-3 | 2 | 28 | 38 |

Double Wing Profile



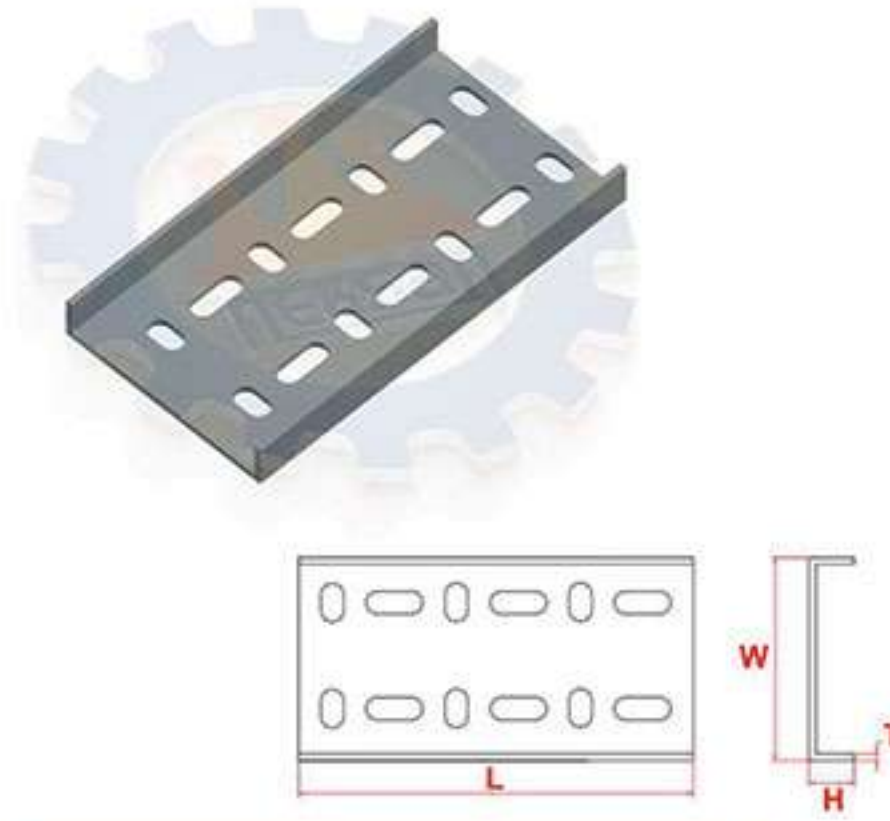
| Ürün Kodu Product Code | T mm | W mm | H mm |
|---------------------------|---------|---------|---------|
| NM-KRP-1 | 2 | 30 | 30 |
| NM-KRP-2 | 2,5 | 40 | 30 |
| NM-KRP-3 | 3 | 50 | 30 |
| NM-KRP-4 | 4 | 60 | 30 |

L Profile Type 2



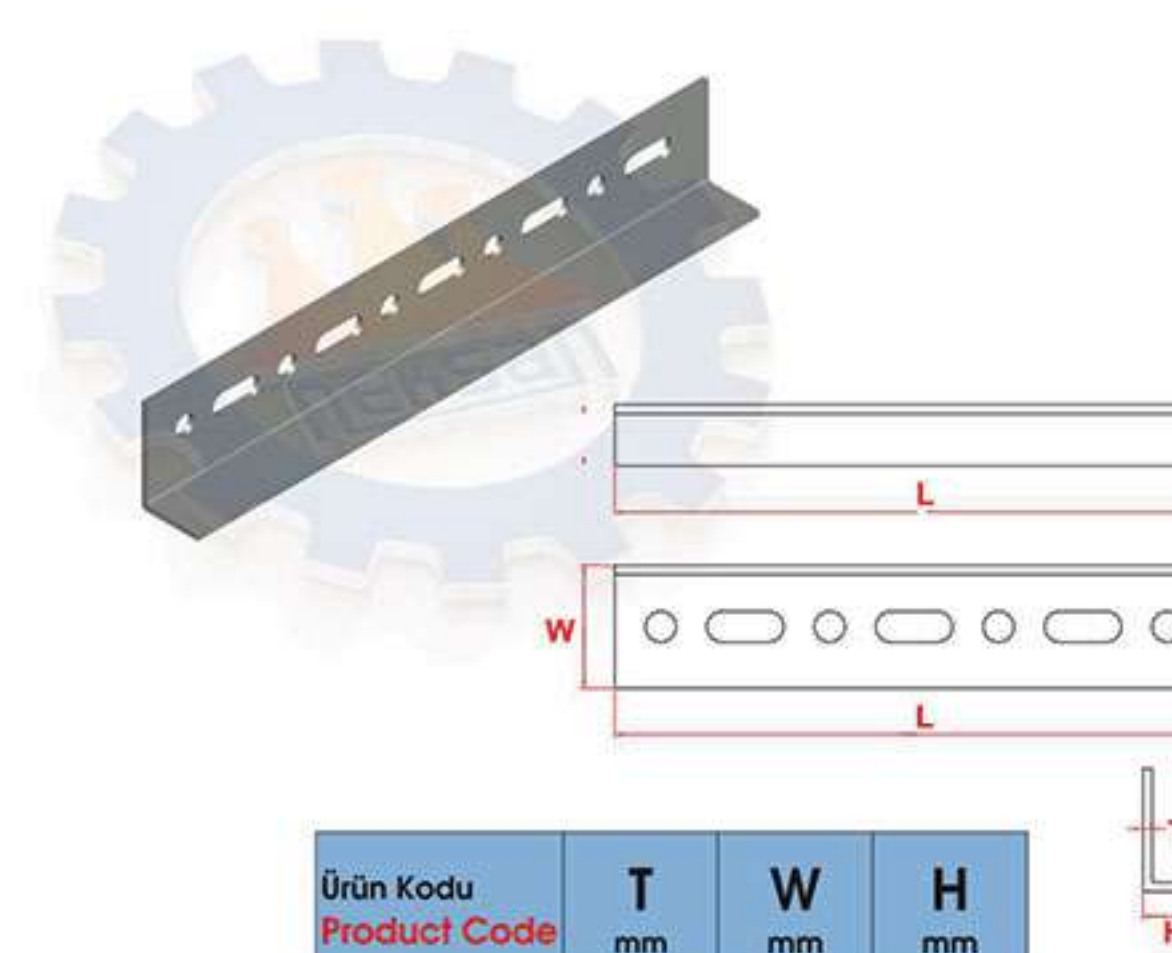
| Ürün Kodu Product Code | T mm | W mm | H mm |
|---------------------------|---------|---------|---------|
| NM-LKP-1 | 2,5 | 30 | 30 |
| NM-LKP-2 | 2,5 | 30 | 40 |
| NM-LKP-3 | 3 | 30 | 30 |
| NM-LKP-4 | 3 | 40 | 40 |
| NM-LKP-5 | 3 | 50 | 50 |
| NM-LKP-6 | 4 | 40 | 40 |
| NM-LKP-7 | 4 | 50 | 50 |
| NM-LKP-8 | 5 | 50 | 50 |

U Channel Profile



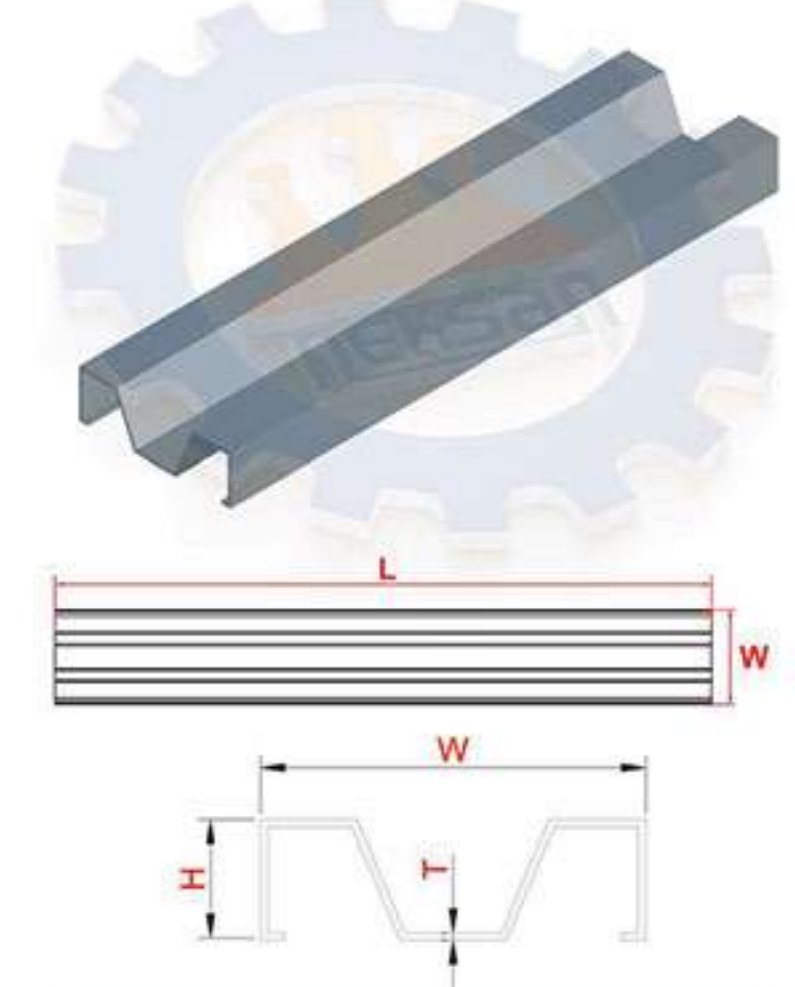
| Ürün Kodu Product Code | T mm | W mm | H mm |
|---------------------------|---------|---------|---------|
| NM-UKP-1 | 2,5 | 90 | 20 |
| NM-UKP-2 | 3 | 100 | 20 |
| NM-UKP-3 | 3 | 120 | 20 |
| NM-UKP-4 | 4 | 140 | 20 |

L Slim Profile



| Ürün Kodu Product Code | T mm | W mm | H mm |
|---------------------------|---------|---------|---------|
| NM-LKP-8 | 2,5 | 30 | 20 - 30 |
| NM-LKP-9 | 2,5 | 40 | 20 - 30 |
| NM-LKP-10 | 3 | 50 | 20 - 30 |
| NM-LKP-11 | 3 | 60 | 20 - 30 |
| NM-LKP-12 | 3 | 80 | 20 - 30 |
| NM-LKP-13 | 4 | 90 | 20 - 30 |
| NM-LKP-14 | 4 | 100 | 20 - 30 |

M Profile



| Ürün Kodu Product Code | T mm | W mm | H mm |
|---------------------------|---------|---------|---------|
| NM-MP-1 | 0,40 | 80 | 25 |
| NM-MP-2 | 0,45 | 80 | 25 |
| NM-MP-3 | 0,50 | 80 | 25 |
| NM-MP-4 | 0,70 | 80 | 25 |

C Profile Type 1



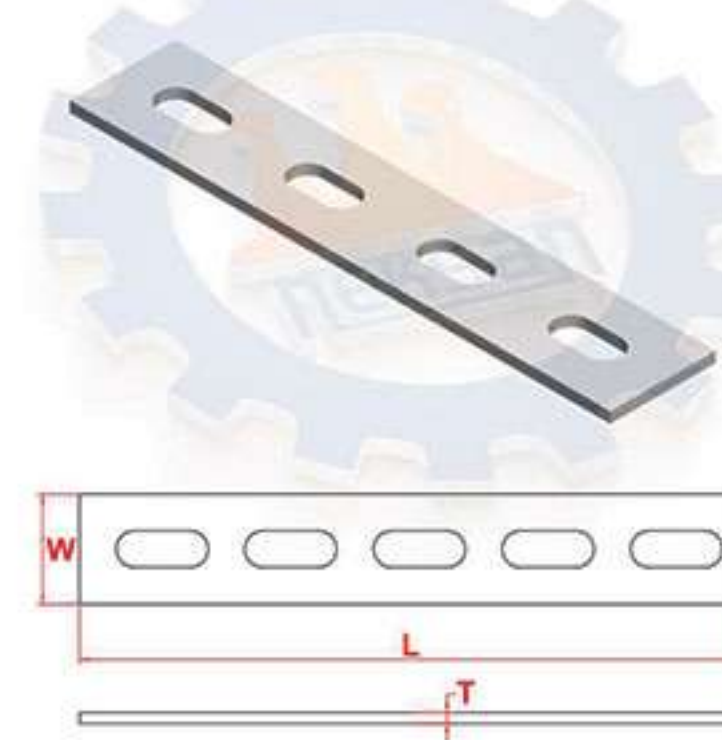
| Ürün Kodu Product Code | T mm | W mm | H mm |
|---------------------------|---------|---------|---------|
| NM-CP-1 | 2,5 | 28 | 15 |
| NM-CP-2 | 3 | 38 | 17 |
| NM-CP-3 | 2,5 | 41 | 21 |
| NM-CP-4 | 3 | 41 | 21 |

C Profile Type 2

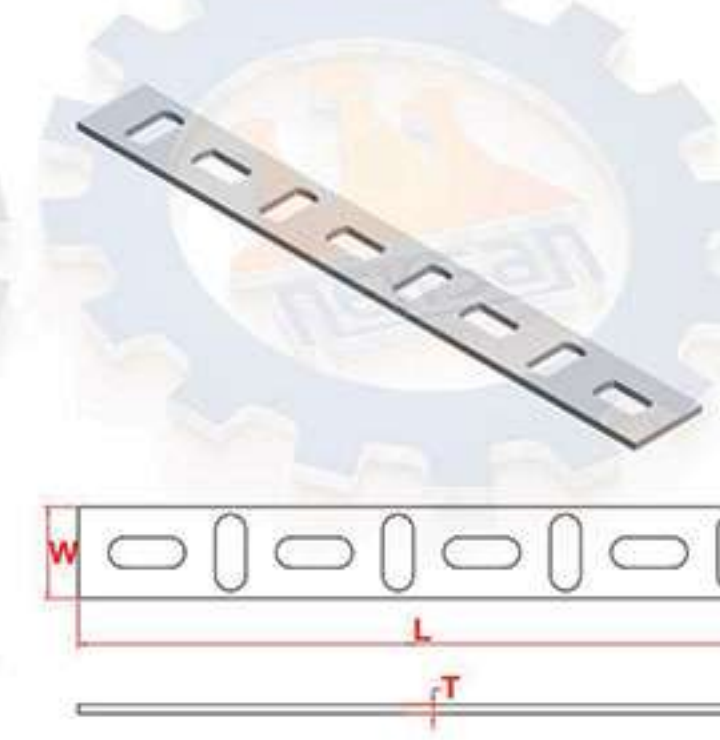


| Ürün Kodu Product Code | T mm | W mm | H mm |
|---------------------------|---------|---------|---------|
| NM-CP-5 | 2,5 | 41 | 22 |
| NM-CP-6 | 2,5 | 41 | 41 |
| NM-CP-7 | 3 | 41 | 22 |
| NM-CP-8 | 3 | 41 | 41 |

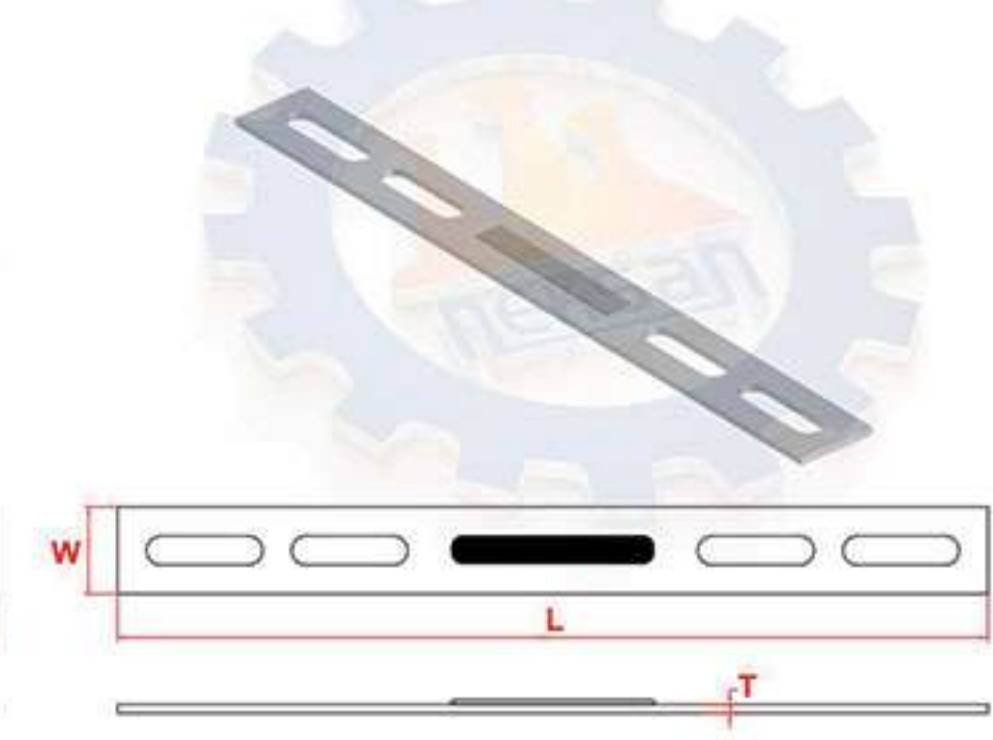
Profile Attachment Type 1



Profile Attachment Type 2



Profile Attachment Type 3

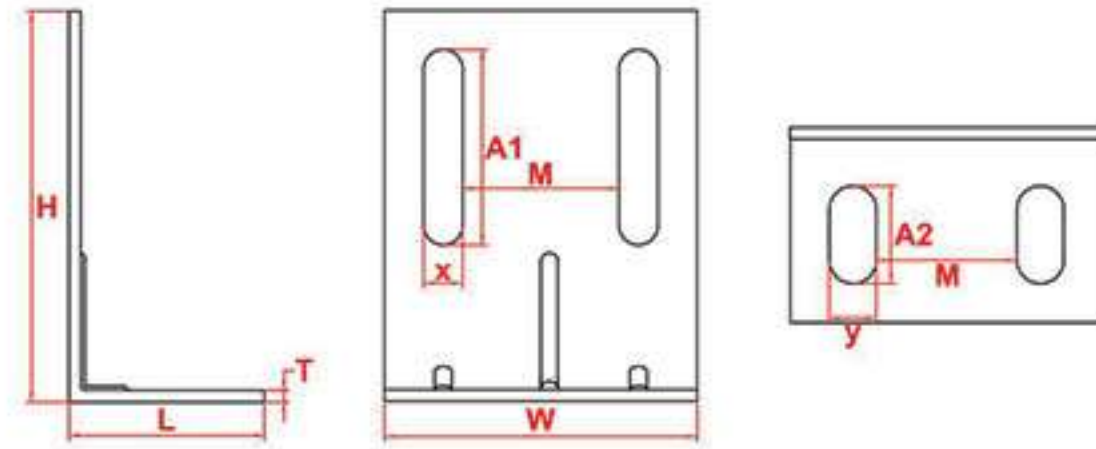


| Ürün Kodu Product Code | T mm | L mm | W mm |
|---------------------------|---------|---------|---------|
| NM-PE-1 | 3 | 200 | 30 |
| NM-PE-2 | 3 | 250 | 30 |
| NM-PE-3 | 3 | 300 | 30 |
| NM-PE-4 | 4 | 350 | 30 |
| NM-PE-5 | 5 | 400 | 30 |

| Ürün Kodu Product Code | T mm | L mm | W mm |
|---------------------------|---------|---------|---------|
| NM-PE-6 | 3 | 200 | 30 |
| NM-PE-7 | 3 | 250 | 30 |
| NM-PE-8 | 3 | 300 | 30 |
| NM-PE-9 | 4 | 350 | 30 |
| NM-PE-10 | 5 | 400 | 30 |

| Ürün Kodu Product Code | T mm | L mm | W mm |
|---------------------------|---------|---------|---------|
| NM-PE-11 | 3 | 200 | 30 |
| NM-PE-12 | 3 | 250 | 30 |
| NM-PE-13 | 3 | 300 | 30 |
| NM-PE-14 | 4 | 350 | 30 |
| NM-PE-15 | 5 | 400 | 30 |

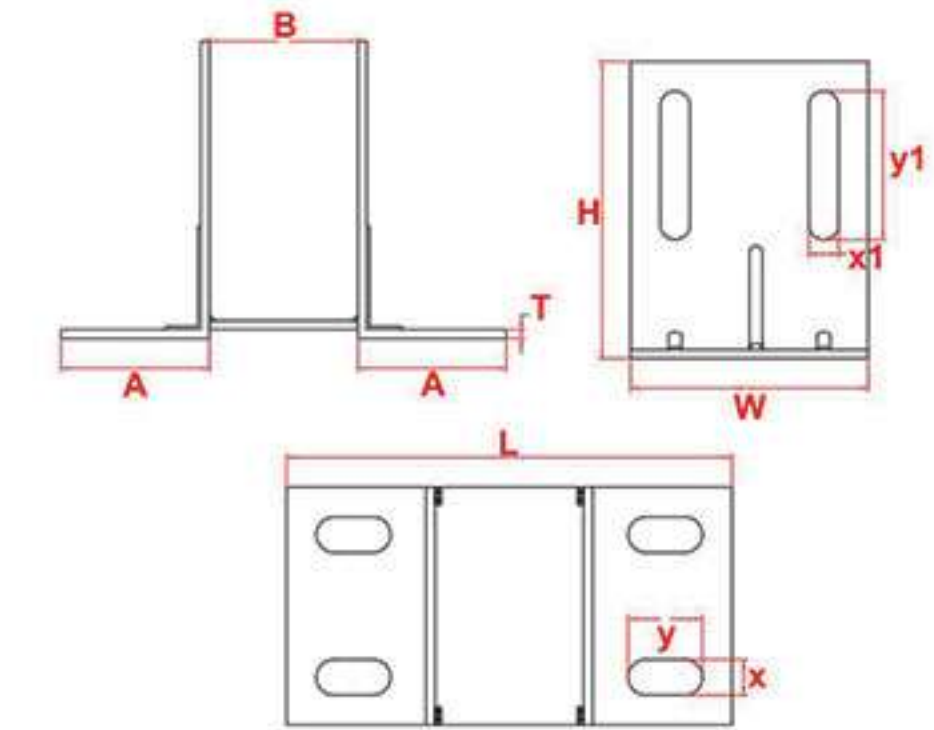
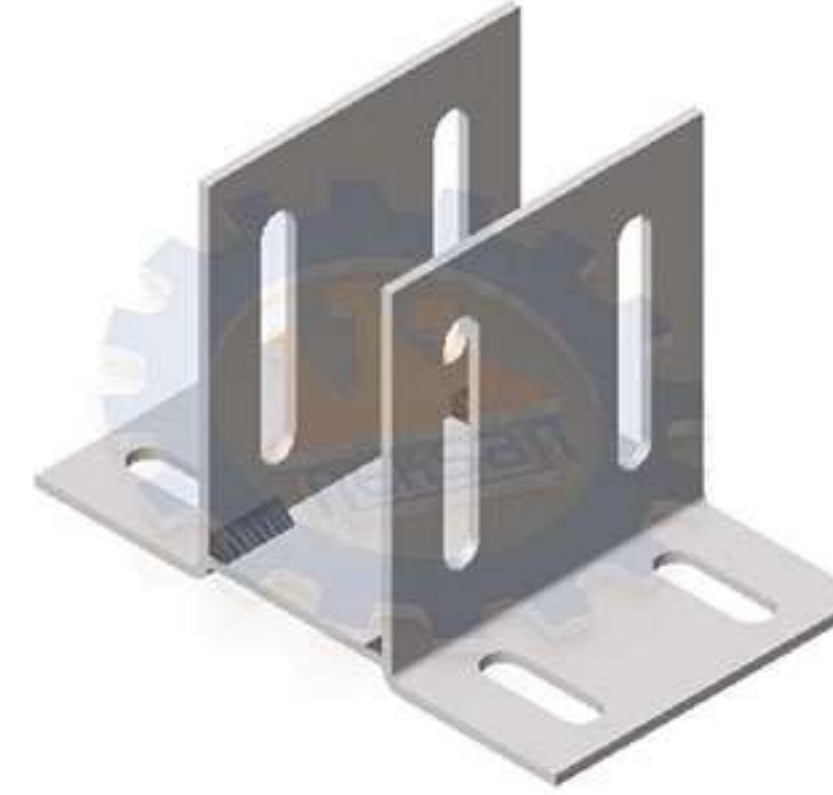
L Flag Double



Used in exterior mounting of the buildings, marble and granite assemblies with bolts specially to fix channels on the wall horizontally and vertically. Mounted on the concrete wall with the help of anchors. Upon request, can be produced in different sizes. Usually produced in Electro Galvanized. However, upon request can also be produced in Dip Galvanized as well as 430-304 Quality Inox Stainless Steel.

| Ürün Kodu Product Code | T mm | L mm | W mm | H mm |
|---------------------------|---------|---------|---------|---------|
| NM-LB-1 | 3-4-5 | 50 | 80-100 | 50 |
| NM-LB-2 | 3-4-5 | 50 | 80-100 | 80 |
| NM-LB-3 | 3-4-5 | 50 | 80-100 | 100 |
| NM-LB-4 | 3-4-5 | 50 | 80-100 | 120 |
| NM-LB-5 | 3-4-5 | 50 | 80-100 | 150 |
| NM-LB-6 | 4-5 | 50 | 80-100 | 200 |
| NM-LB-7 | 4-5 | 50 | 80-100 | 250 |

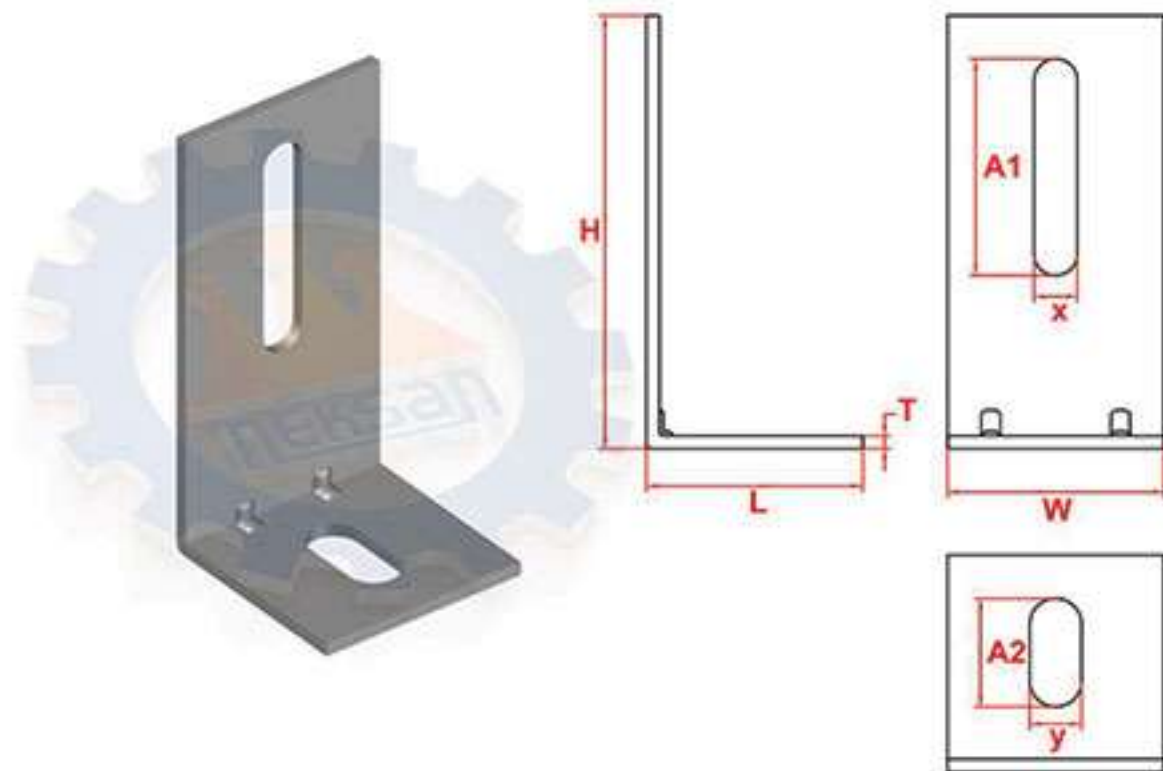
U Bracket Anchor



| Ürün Kodu Product Code | T mm | L mm | B mm | W mm | H mm |
|---------------------------|---------|---------|---------|---------|---------|
| NM-UA-1 | 3-4-5 | 150 | 52 | 80 | 80 |
| NM-UA-2 | 3-4-5 | 150 | 52 | 80 | 100 |
| NM-UA-3 | 3-4-5 | 150 | 52 | 80 | 120 |
| NM-UA-4 | 3-4-5 | 150 | 52 | 100 | 150 |
| NM-UA-5 | 3-4-5 | 150 | 52 | 100 | 200 |

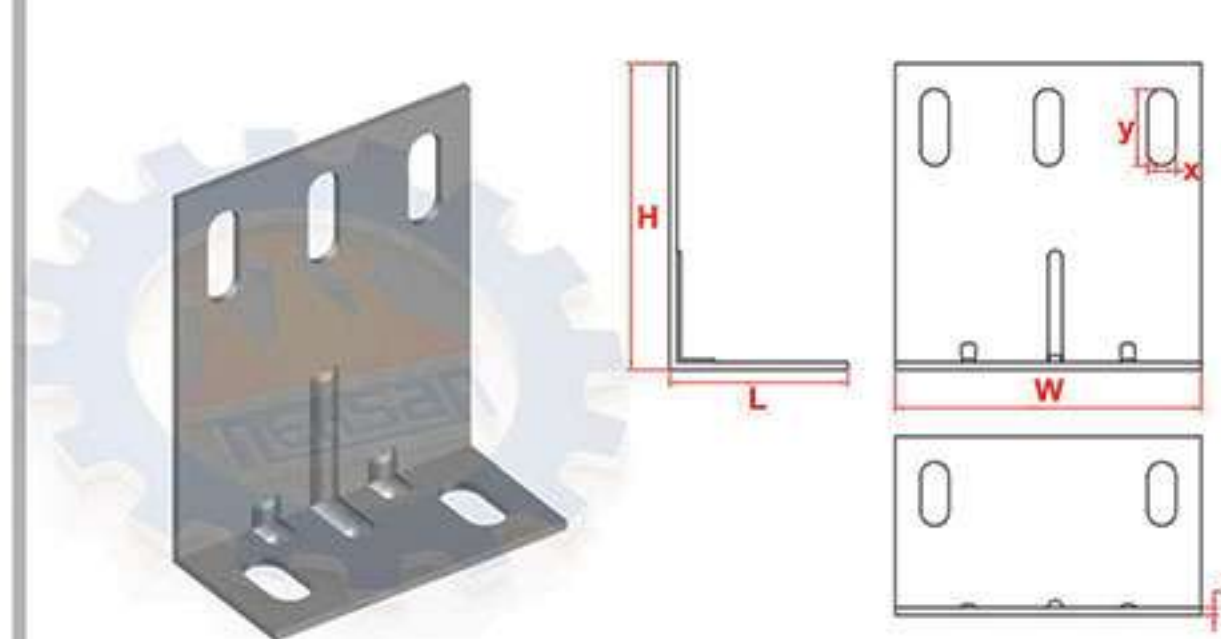
Used in exterior mounting of the buildings (Aluminum Assemblies) with bolt sandan chorse specially to fix aluminum. Usually produced in Electro Galvanized. How ever, upon request can also be produced in Dip Galvanized as well as 430-304 Quality Inox Stainless Steel. Upon request, can be produced in different sizes.

L Flag Single



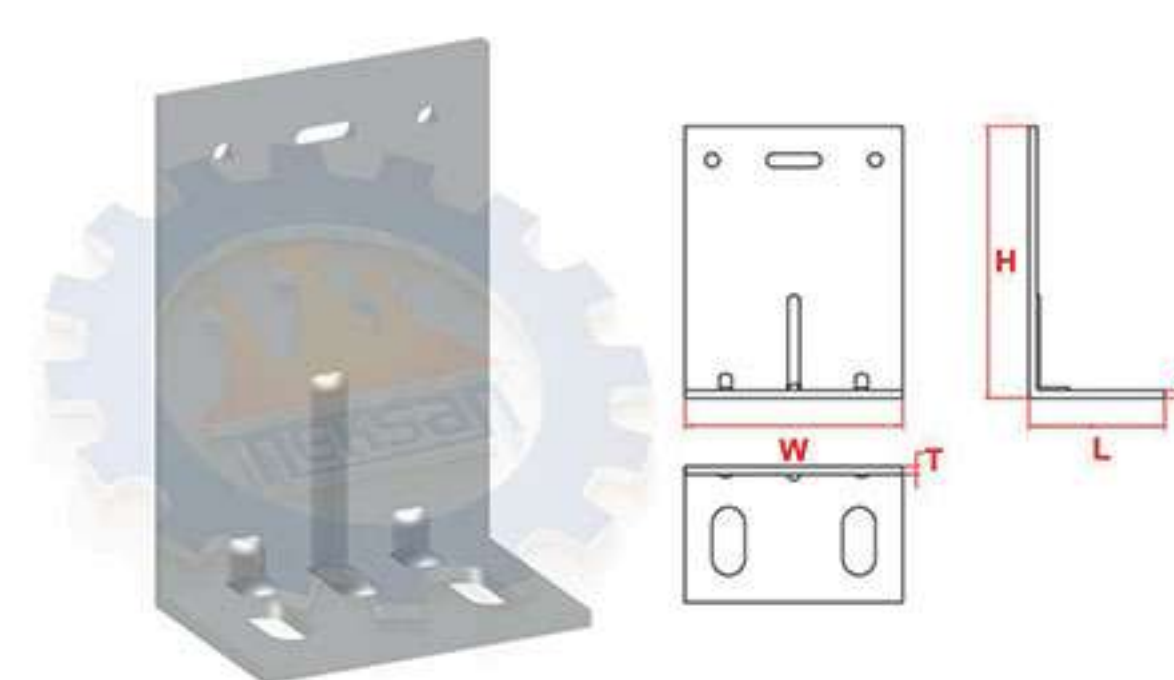
| Ürün Kodu Product Code | T mm | L mm | W mm | H mm |
|---------------------------|---------|---------|---------|---------|
| NM-LBT-1 | 3-4-5 | 50 | 50 | 50 |
| NM-LBT-2 | 3-4-5 | 50 | 50 | 80 |
| NM-LBT-3 | 3-4-5 | 50 | 50 | 100 |
| NM-LBT-4 | 3-4-5 | 50 | 50 | 120 |
| NM-LBT-5 | 3-4-5 | 50 | 50 | 150 |
| NM-LBT-6 | 4-5 | 50 | 50 | 200 |
| NM-LBT-7 | 4-5 | 50 | 50 | 250 |

L Flag Triple



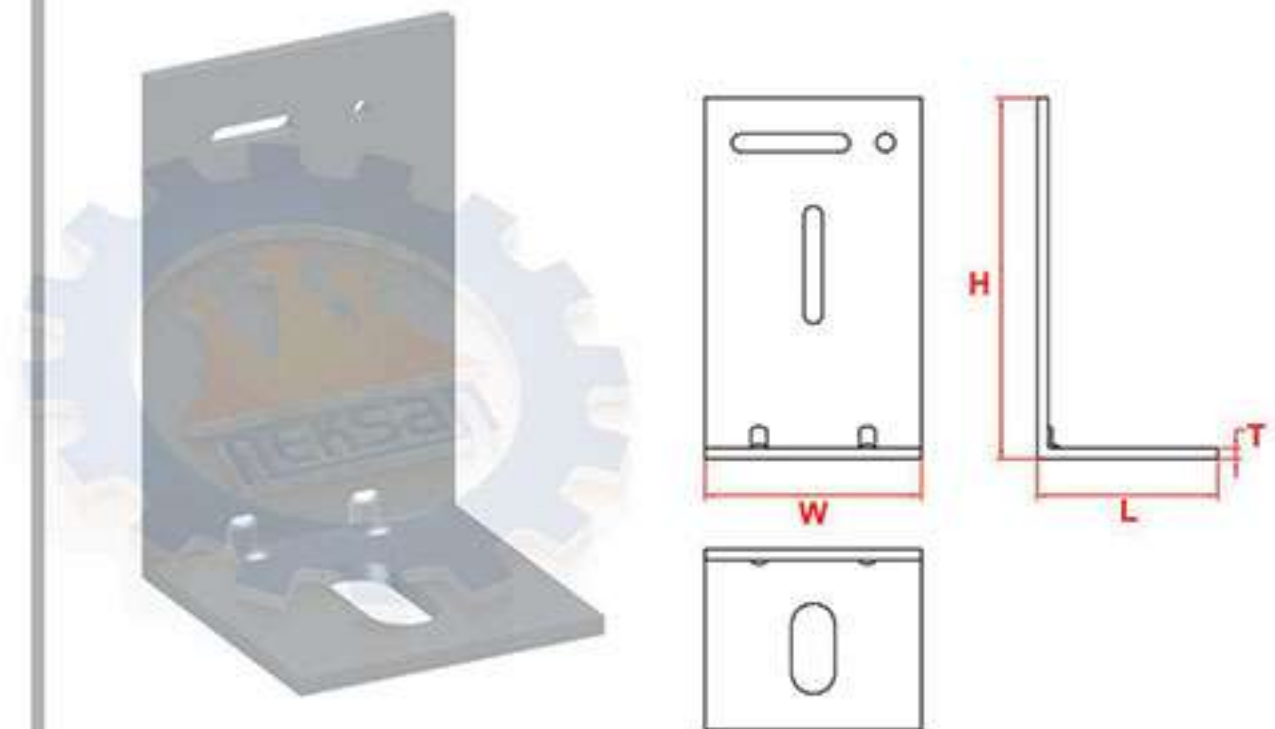
| Ürün Kodu Product Code | T mm | L mm | W mm | H mm |
|---------------------------|---------|---------|---------|---------|
| NM-LB-8 | 3-4-5 | 50 | 120-150 | 50 |
| NM-LB-9 | 3-4-5 | 50 | 120-150 | 80 |
| NM-LB-10 | 3-4-5 | 50 | 120-150 | 100 |
| NM-LB-11 | 3-4-5 | 50 | 120-150 | 120 |
| NM-LB-12 | 3-4-5 | 50 | 120-150 | 150 |
| NM-LB-13 | 4-5 | 50 | 120-150 | 200 |
| NM-LB-14 | 4-5 | 50 | 120-150 | 250 |

L Flag Double Pin



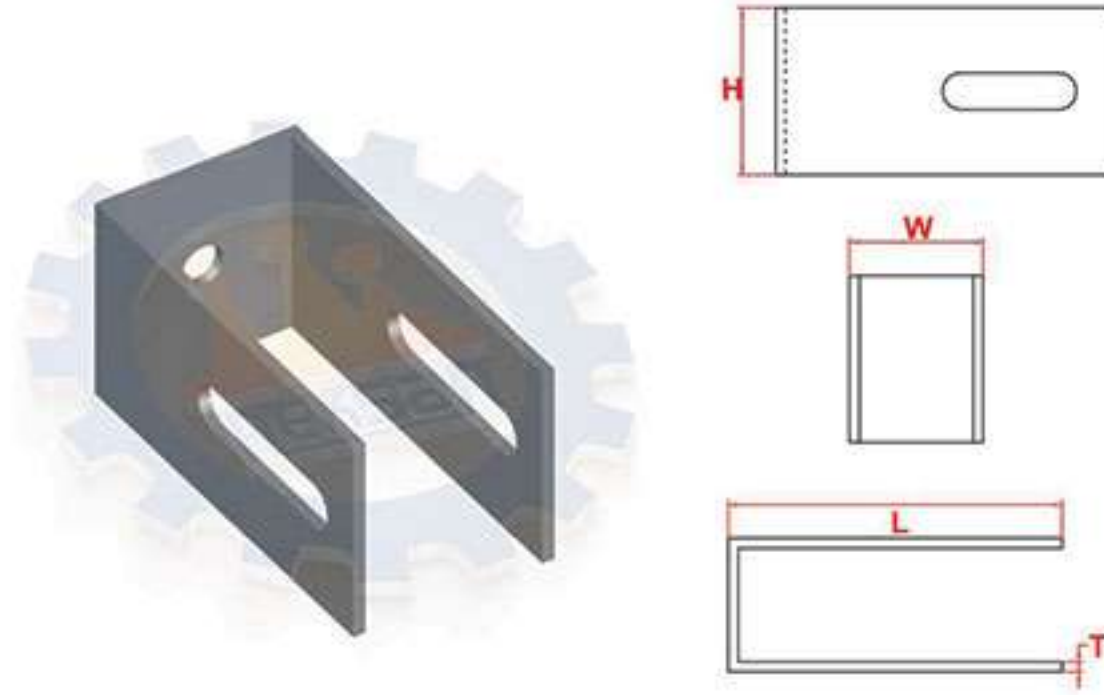
| Ürün Kodu Product Code | T mm | L mm | W mm | H mm |
|---------------------------|---------|---------|---------|---------|
| NM-LBP-1 | 2,5-3-4 | 50 | 80-100 | 50 |
| NM-LBP-2 | 2,5-3-4 | 50 | 80-100 | 80 |
| NM-LBP-3 | 2,5-3-4 | 50 | 80-100 | 100 |
| NM-LBP-4 | 2,5-3-4 | 50 | 80-100 | 120 |
| NM-LBP-5 | 2,5-3-4 | 50 | 80-100 | 150 |
| NM-LBP-6 | 3-4-5 | 50 | 80-100 | 200 |
| NM-LBP-7 | 3-4-5 | 50 | 80-100 | 250 |

L Flag Single Pin



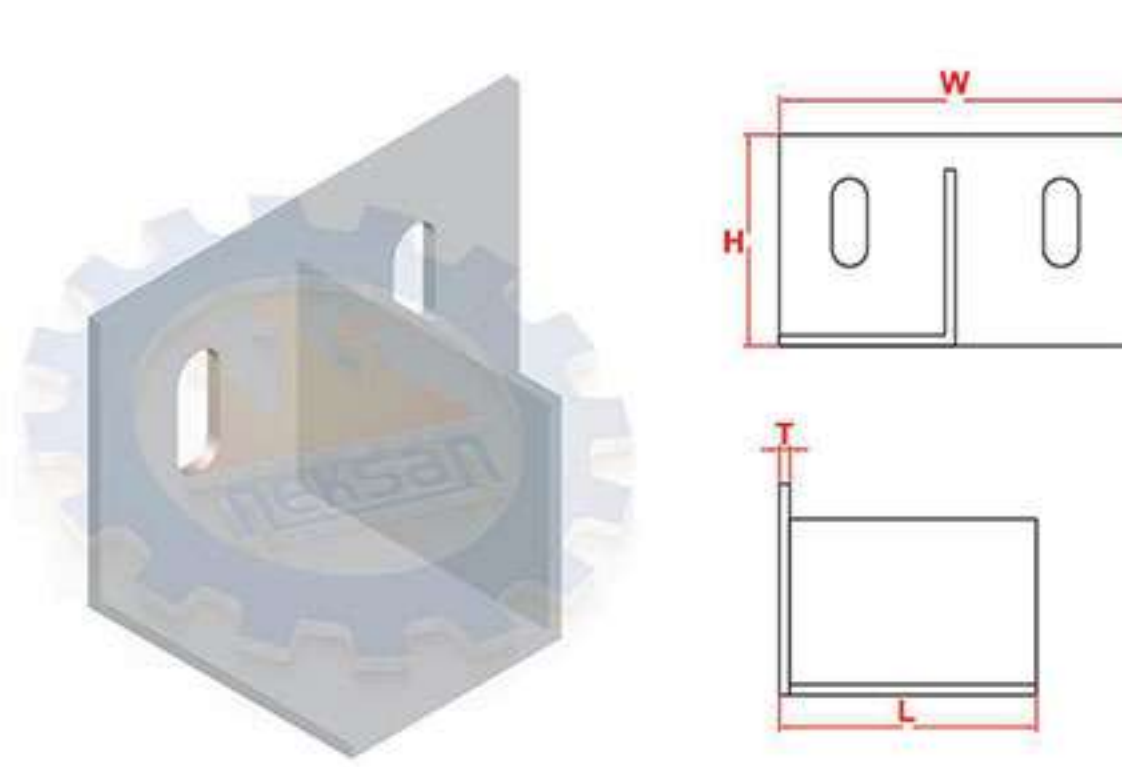
| Ürün Kodu Product Code | T mm | L mm | W mm | H mm |
|---------------------------|---------|---------|---------|---------|
| NM-LBP-8 | 3-4 | 50 | 40-50 | 50 |
| NM-LBP-9 | 3-4 | 50 | 40-50 | 80 |
| NM-LBP-10 | 3-4 | 50 | 40-50 | 100 |
| NM-LBP-11 | 3-4 | 50 | 40-50 | 120 |
| NM-LBP-12 | 3-4 | 50 | 40-50 | 150 |
| NM-LBP-13 | 3-4 | 50 | 40-50 | 200 |

U Bracket



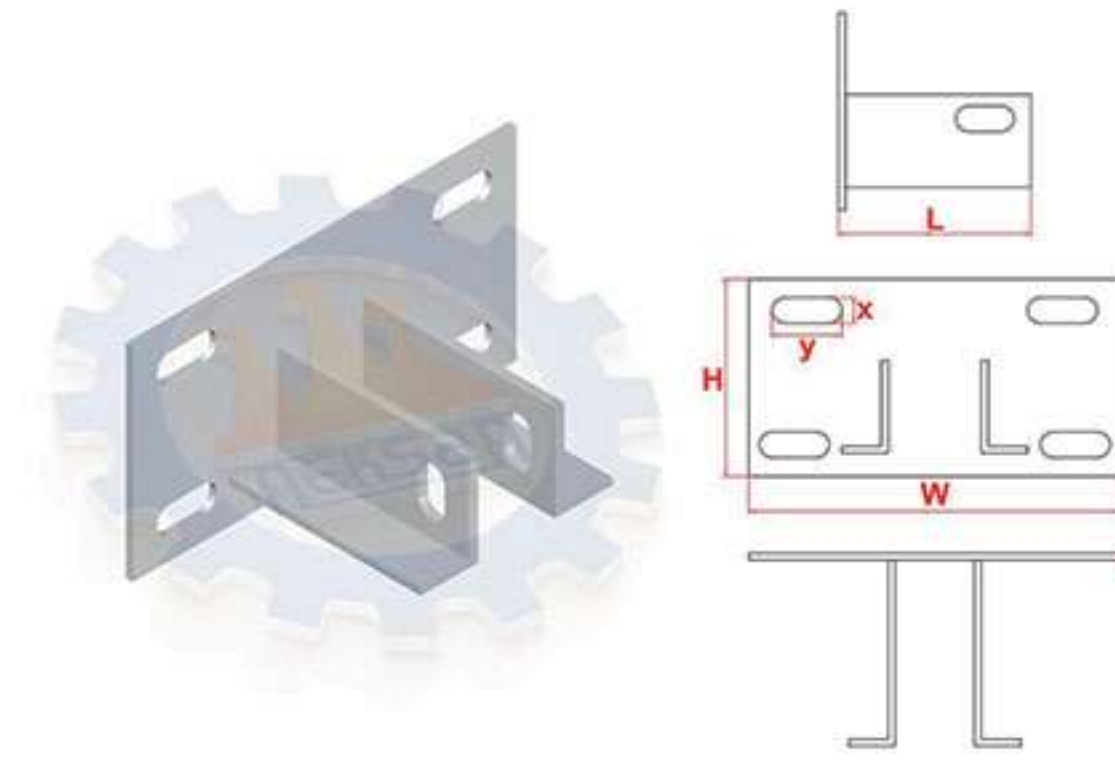
| Ürün Kodu Product Code | T mm | L mm | W mm | H mm |
|---------------------------|---------|---------|---------|---------|
| NM-UA-6 | 4-5 | 80 | 40 | 40 |
| NM-UA-7 | 4-5 | 100 | 50 | 50 |
| NM-UA-8 | 4-5 | 120 | 60 | 60 |
| NM-UA-9 | 4-5 | 160 | 80 | 80 |
| NM-UA-10 | 4-5 | 200 | 100 | 100 |

T Flag



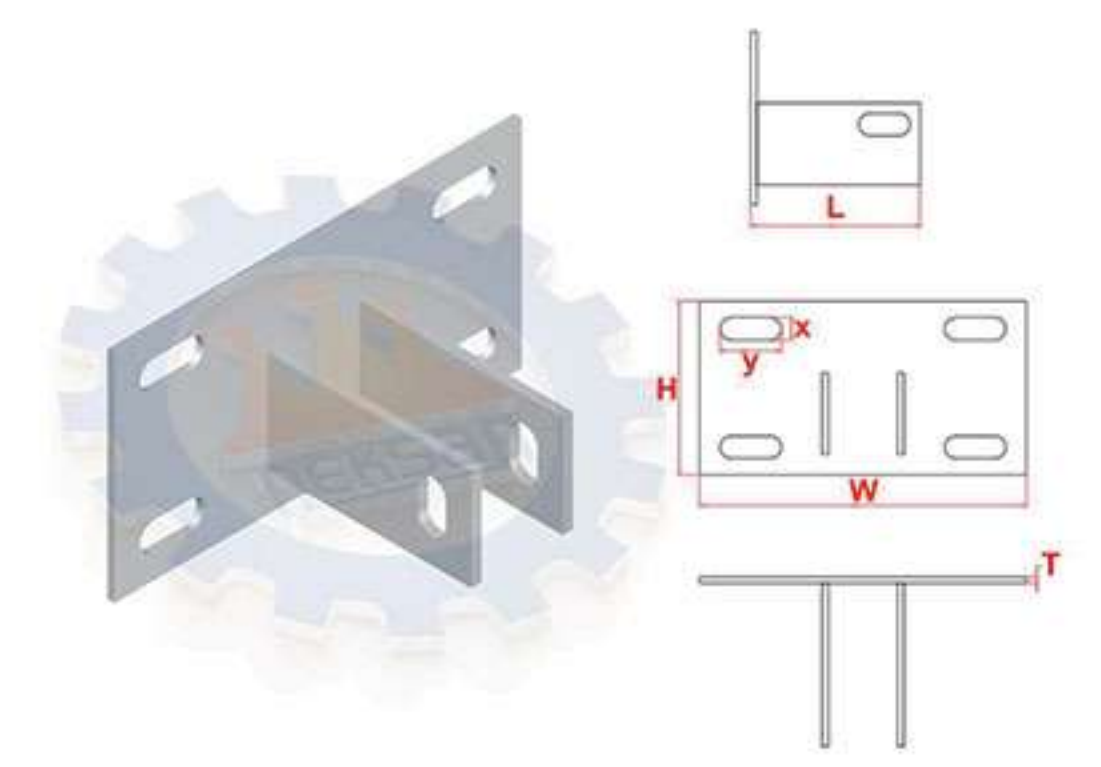
| Ürün Kodu Product Code | T mm | L mm | W mm | H mm |
|---------------------------|---------|---------|----------|---------|
| NM-TBB-1 | 3-4-5 | 80 | 80 - 100 | 50 |
| NM-TBB-2 | 3-4-5 | 100 | 80 - 100 | 50 |
| NM-TBB-3 | 3-4-5 | 120 | 80 - 100 | 50 |
| NM-TBB-4 | 3-4-5 | 150 | 80 - 100 | 50 |
| NM-TBB-5 | 3-4-5 | 200 | 80 - 100 | 50 |

LT Anchor Double



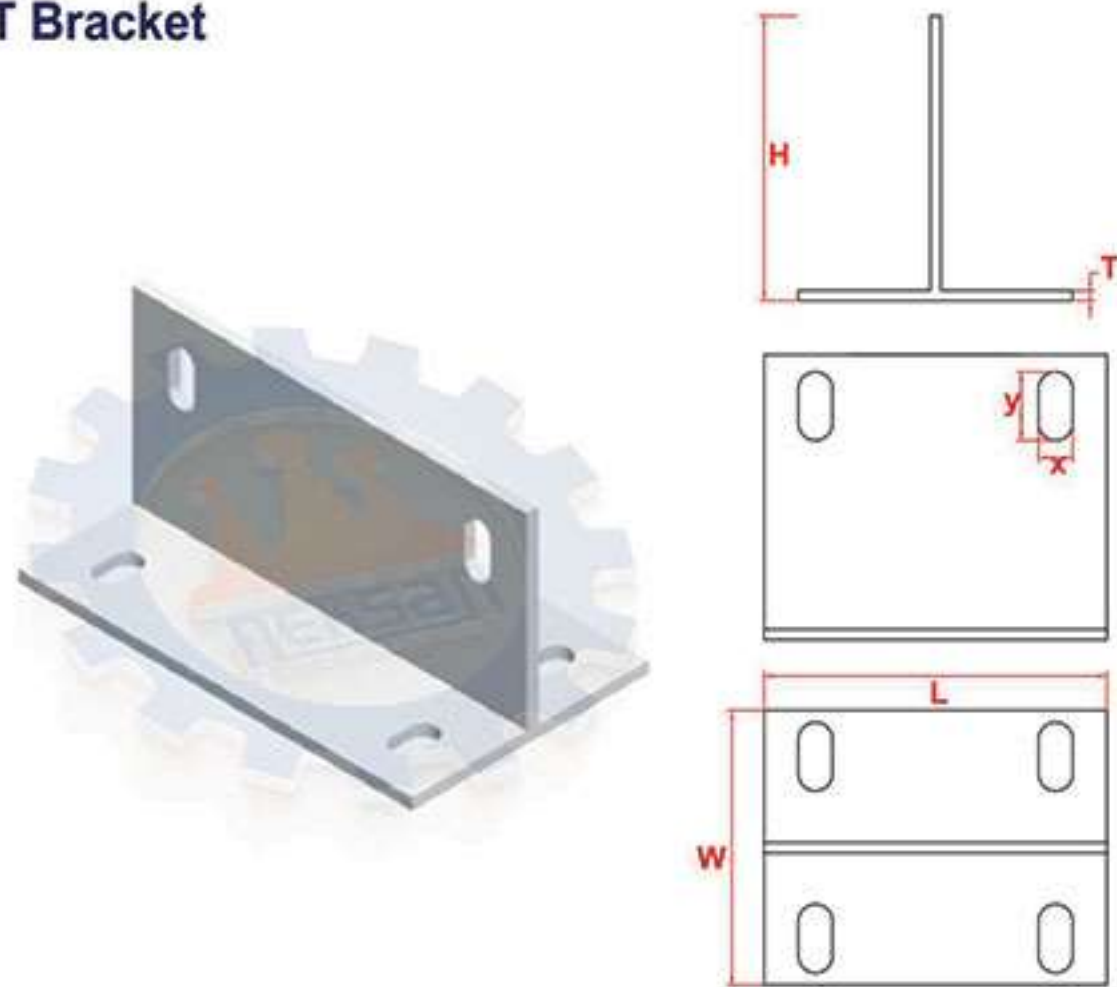
| Ürün Kodu Product Code | T mm | L mm | W mm | H mm |
|---------------------------|---------|---------|---------|---------|
| NM-LTA-1 | 4 | 100 | 160 | 85 |
| NM-LTA-2 | 4 | 120 | 160 | 95 |
| NM-LTA-3 | 5 | 160 | 160 | 95 |
| NM-LTA-4 | 5 | 210 | 180 | 95 |
| NM-LTA-5 | 5 | 300 | 180 | 100 |

T Anchor Double



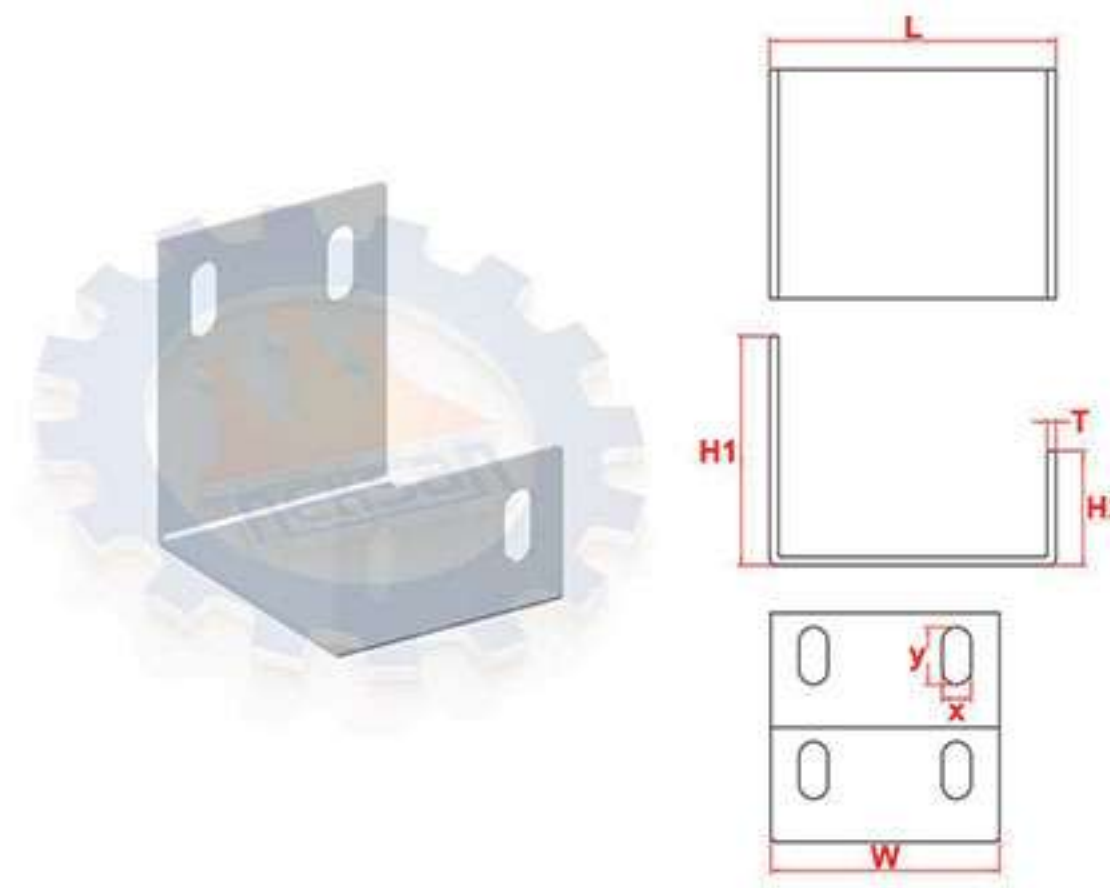
| Ürün Kodu Product Code | T mm | L mm | W mm | H mm |
|---------------------------|---------|---------|---------|---------|
| NM-TA-1 | 4 | 100 | 160 | 85 |
| NM-TA-2 | 4 | 120 | 160 | 95 |
| NM-TA-3 | 5 | 160 | 160 | 95 |
| NM-TA-4 | 5 | 210 | 180 | 95 |
| NM-TA-5 | 5 | 300 | 180 | 100 |

T Bracket



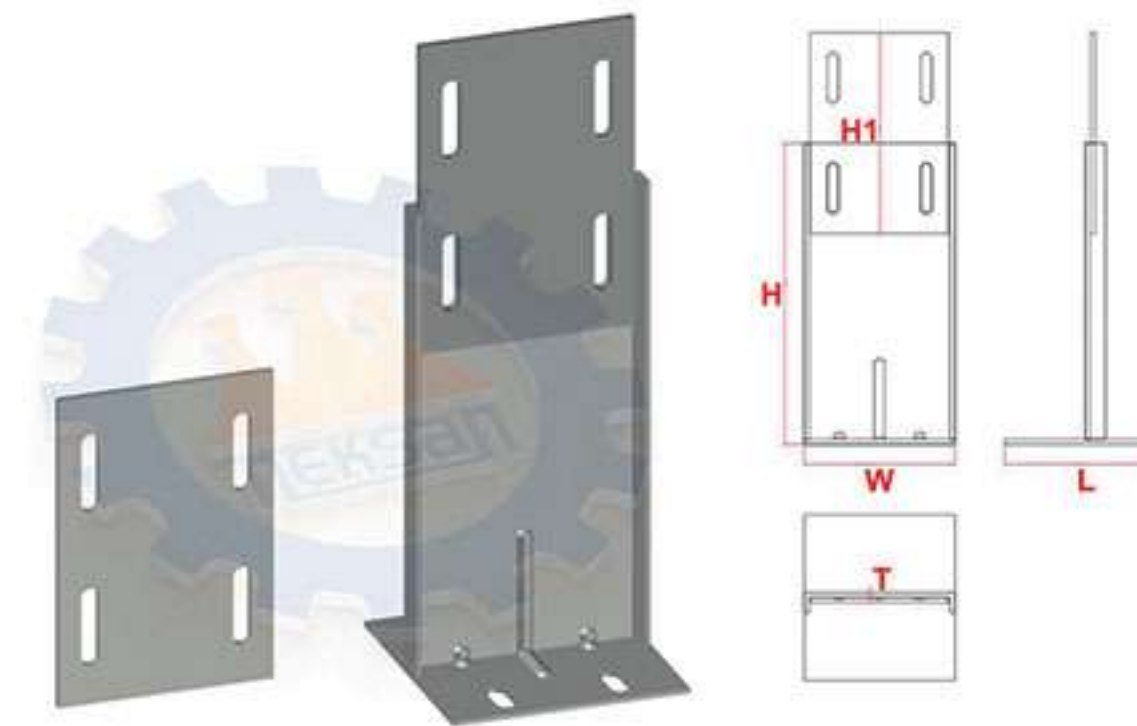
| Ürün Kodu Product Code | T mm | L mm | W mm | H mm |
|---------------------------|---------|---------|---------|---------|
| NM-TBA-1 | 4 | 100 | 80 | 60 |
| NM-TBA-2 | 4 | 100 | 80 | 80 |
| NM-TBA-3 | 4 | 100 | 80 | 100 |
| NM-TBA-4 | 5 | 120 | 100 | 120 |
| NM-TBA-5 | 5 | 120 | 100 | 150 |
| NM-TBA-6 | 5 | 120 | 100 | 200 |

C Bracket



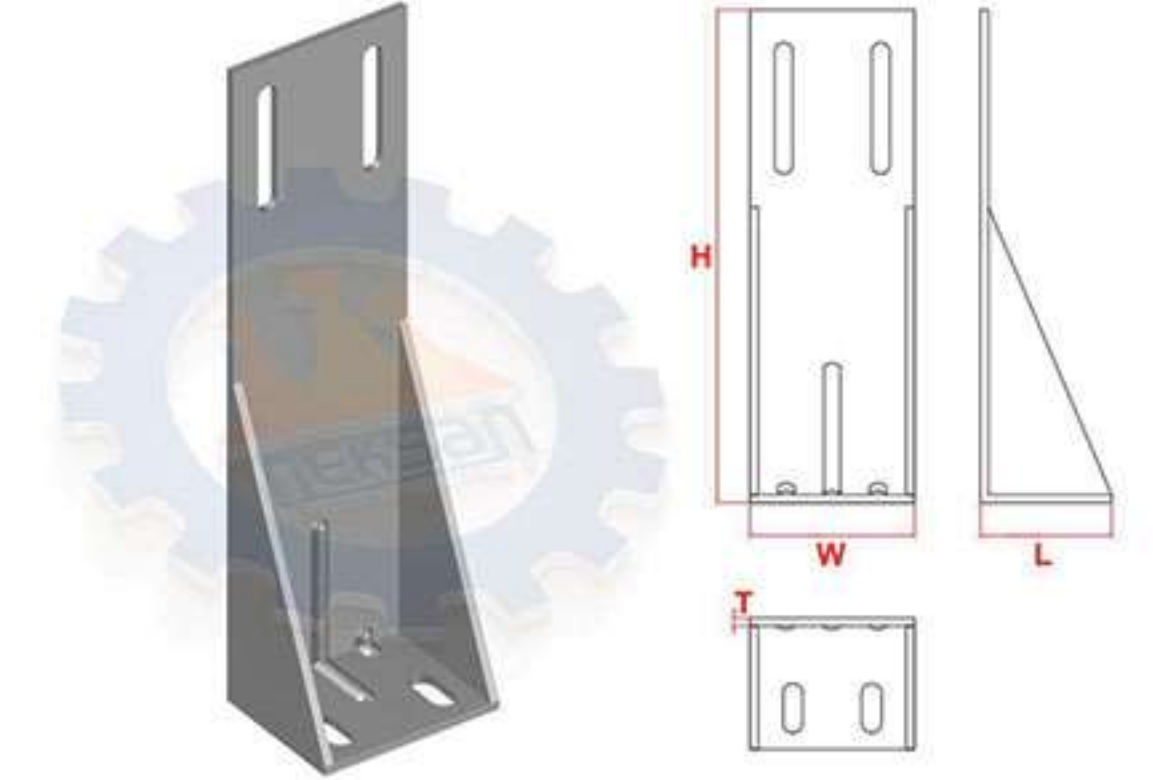
| Ürün Kodu Product Code | T mm | L mm | W mm | H1 mm | H2 mm |
|---------------------------|---------|---------|---------|----------|----------|
| NM-UBA-1 | 4 | 60 | 80 | 100 | 50 |
| NM-UBA-2 | 4 | 80 | 80 | 100 | 50 |
| NM-UBA-3 | 4 | 100 | 80 | 100 | 50 |
| NM-UBA-4 | 5 | 120 | 100 | 100 | 50 |
| NM-UBA-5 | 5 | 160 | 100 | 100 | 50 |
| NM-UBA-6 | 5 | 200 | 100 | 100 | 50 |

T Anchor Adjustable



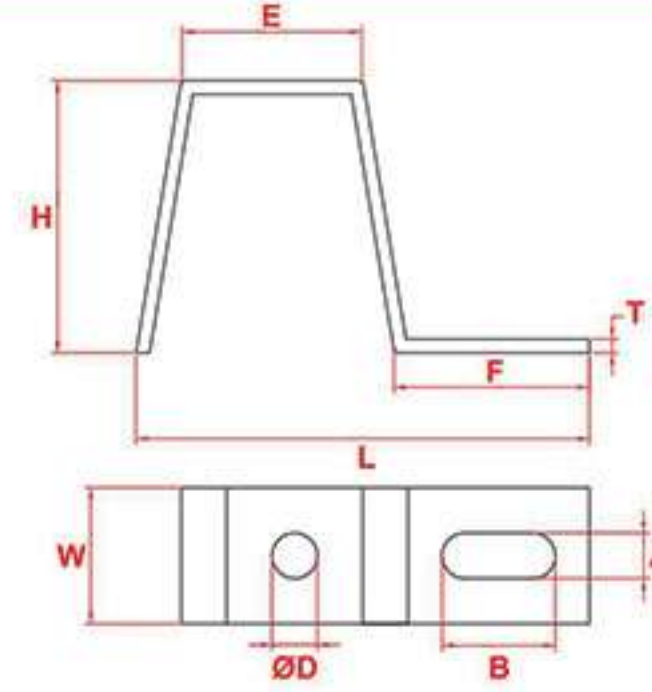
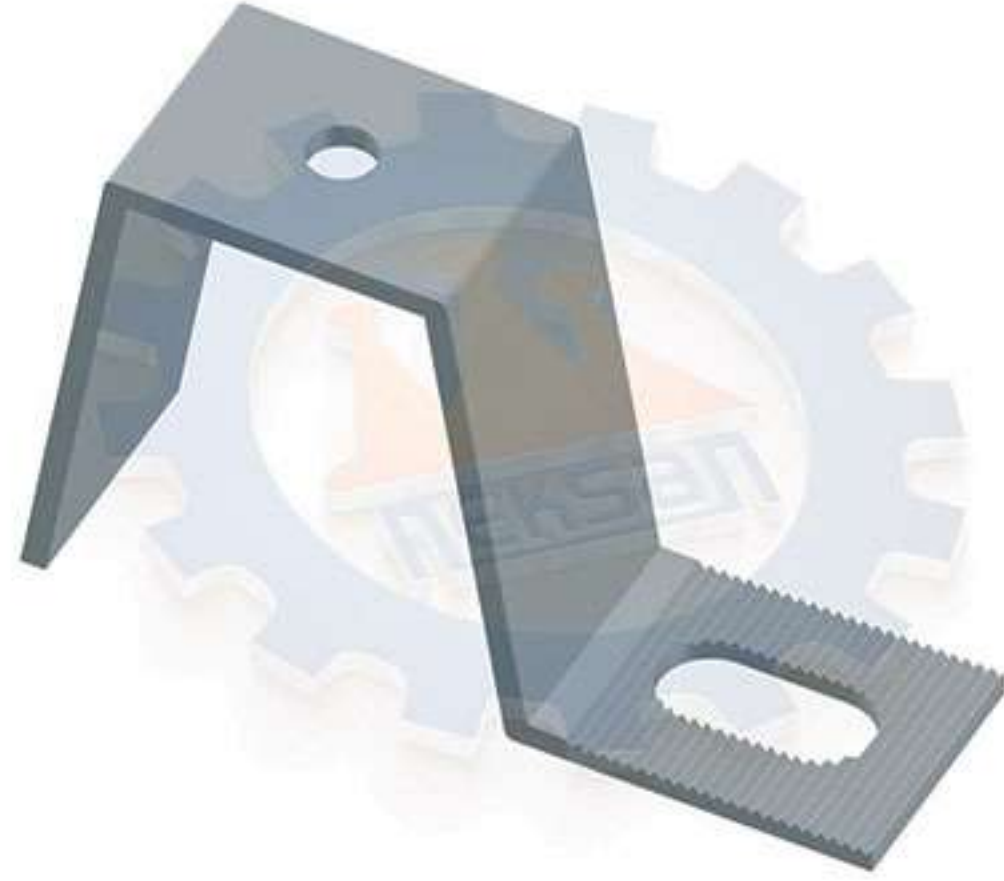
| Ürün Kodu Product Code | T mm | L mm | W mm | H mm | H1 mm |
|---------------------------|---------|---------|---------|---------|----------|
| NM-TAK-1 | 3 | 80 | 80 | 200 | 120 |
| NM-TAK-2 | 3 | 100 | 80 | 250 | 150 |
| NM-TAK-3 | 3 | 120 | 80 | 270 | 200 |
| NM-TAK-4 | 4 | 160 | 100 | 300 | 220 |
| NM-TAK-5 | 4 | 180 | 100 | 320 | 250 |
| NM-TAK-6 | 5 | 200 | 100 | 350 | 250 |

Supported L Flag



| Ürün Kodu Product Code | T mm | L mm | W mm | H mm |
|---------------------------|---------|---------|---------|---------|
| NM-LBD-1 | 4-5-6 | 60 | 80 | 250 |
| NM-LBD-2 | 4-5-6 | 60 | 80 | 280 |
| NM-LBD-3 | 4-5-6 | 80 | 100 | 300 |
| NM-LBD-4 | 4-5-6 | 80 | 100 | 320 |
| NM-LBD-5 | 4-5-6 | 100 | 120 | 350 |
| NM-LBD-6 | 4-5-6 | 100 | 150 | 400 |

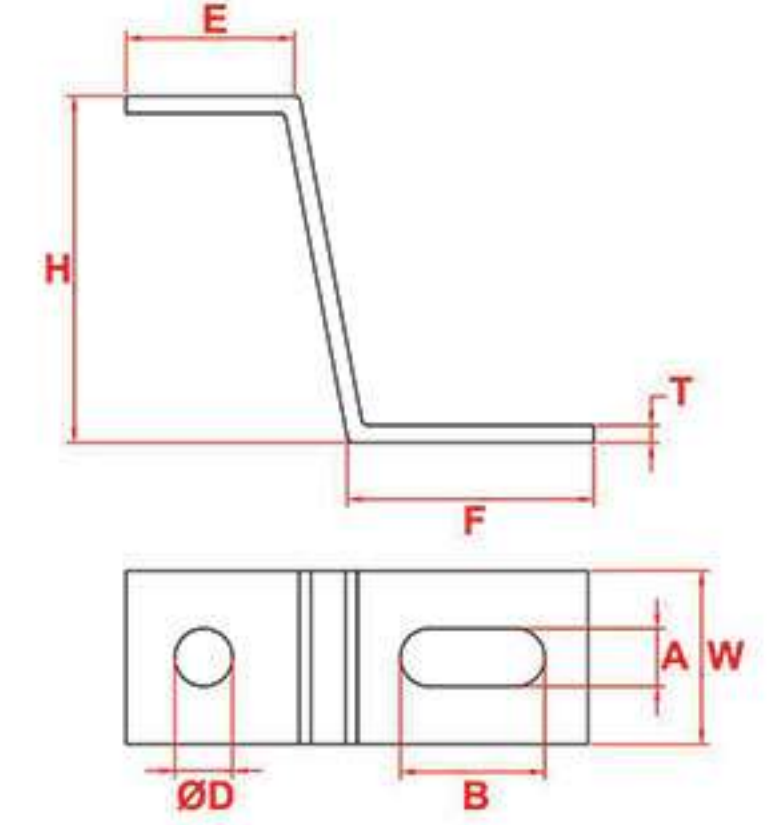
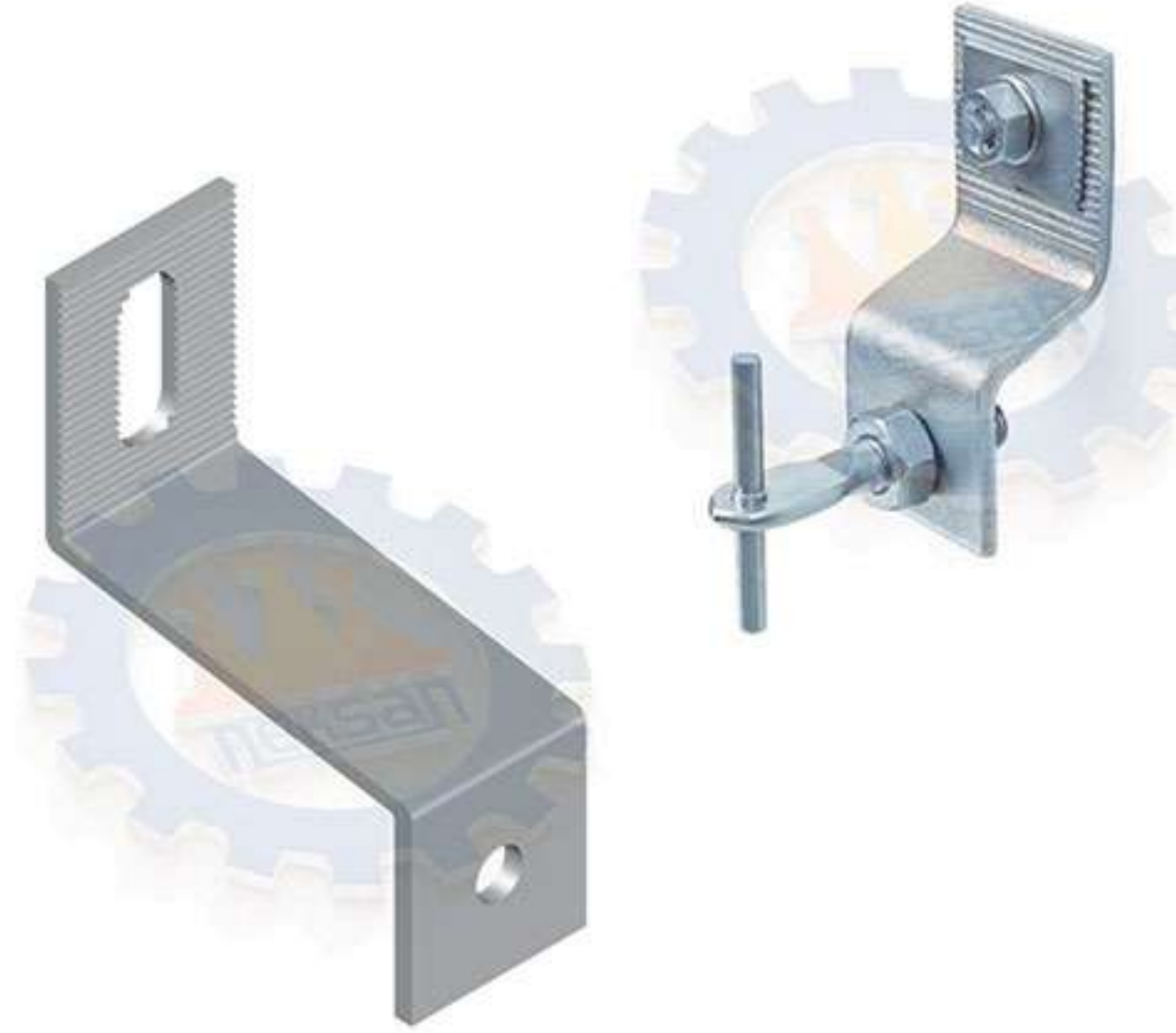
H Anchor



| Ürün Kodu Product Code | D Ø mm | T mm | W mm | H mm |
|---------------------------|------------|---------|----------|---------|
| NM-HG-1 | M8-M10-M12 | 3-4 | 27-30-40 | 10 |
| NM-HG-2 | M8-M10-M12 | 3-4 | 27-30-40 | 20 |
| NM-HG-3 | M8-M10-M12 | 3-4 | 27-30-40 | 40 |
| NM-HG-4 | M8-M10-M12 | 3-4 | 27-30-40 | 60 |
| NM-HG-5 | M8-M10-M12 | 3-4 | 27-30-40 | 80 |
| NM-HG-6 | M8-M10-M12 | 3-4 | 27-30-40 | 100 |

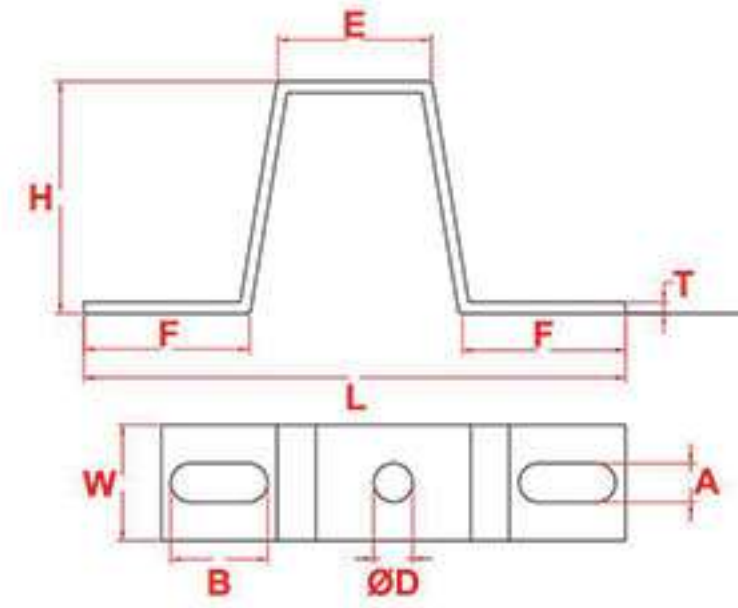
Anchor sare one of the most preferred fitting elements used in exterior construction of the buildings as they can easily be monted on the wall. Produced from 430-304-316 Quality Stainless Steel (INOX) If requested pre galvanized steel can also be produced.

Z Anchor



| Ürün Kodu Product Code | D Ø mm | T mm | W mm | H mm |
|---------------------------|------------|---------|----------|---------|
| NM-ZG-1 | M8-M10-M12 | 3-4 | 27-30-40 | 10 |
| NM-ZG-2 | M8-M10-M12 | 3-4 | 27-30-40 | 20 |
| NM-ZG-3 | M8-M10-M12 | 3-4 | 27-30-40 | 40 |
| NM-ZG-4 | M8-M10-M12 | 3-4 | 27-30-40 | 60 |
| NM-ZG-5 | M8-M10-M12 | 3-4 | 27-30-40 | 80 |
| NM-ZG-6 | M8-M10-M12 | 3-4 | 27-30-40 | 100 |

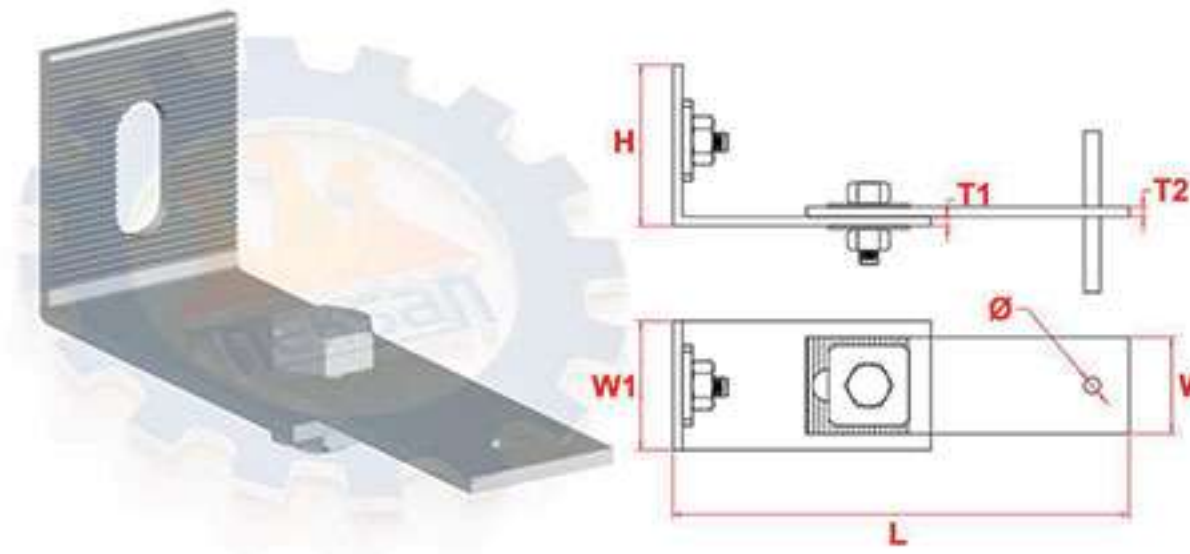
Soffit Anchor



| Ürün Kodu Product Code | D Ø mm | T mm | W mm | H mm |
|---------------------------|------------|---------|----------|---------|
| NM-SOF-1 | M8-M10-M12 | 3-4 | 27-30-40 | 10 |
| NM-SOF-2 | M8-M10-M12 | 3-4 | 27-30-40 | 20 |
| NM-SOF-3 | M8-M10-M12 | 3-4 | 27-30-40 | 40 |
| NM-SOF-4 | M8-M10-M12 | 3-4 | 27-30-40 | 60 |
| NM-SOF-5 | M8-M10-M12 | 3-4 | 27-30-40 | 80 |
| NM-SOF-6 | M8-M10-M12 | 3-4 | 27-30-40 | 100 |

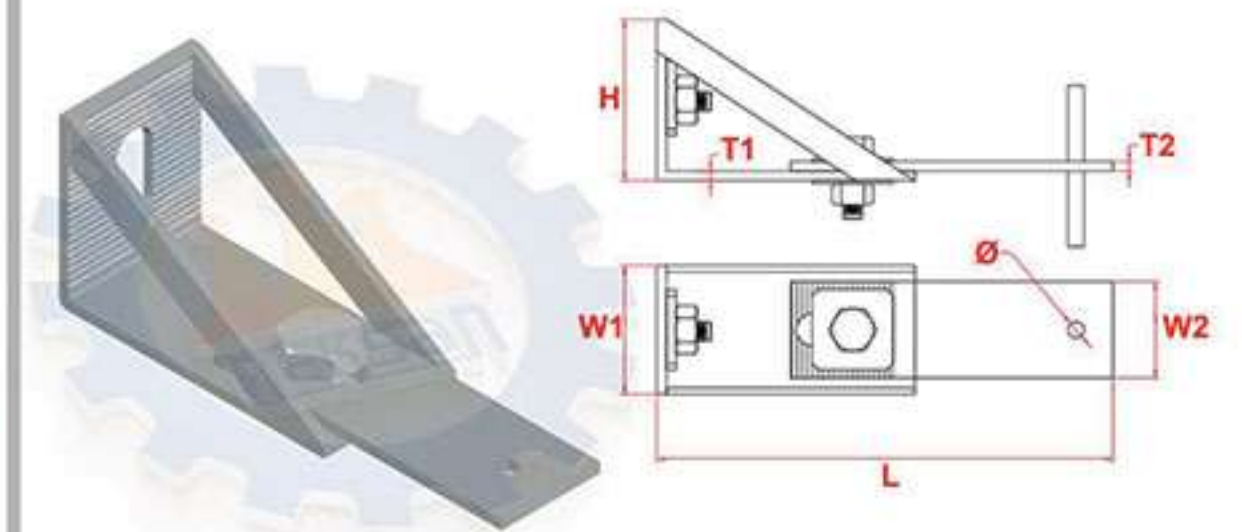
Especially preferred in exterior mounting of the buildings, marble and granite assemblies etc. Provides easy and safe assembly. Used in fixing the natural stone beneath the concrete floor.

Sliding L Anchor



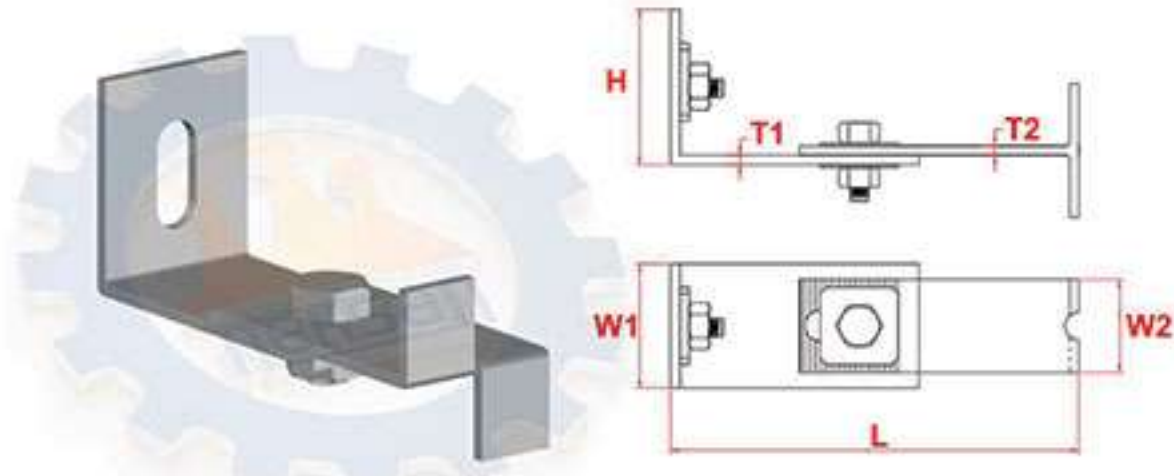
| Ürün Kodu Product Code | T1/T2 mm | L mm | W1/W2 mm | H mm |
|---------------------------|-------------|---------|-------------|---------|
| NM-KA-1 | 3/3 | 100 | 40 | 40 |
| NM-KA-2 | 3/3 | 120 | 40 | 40 |
| NM-KA-3 | 4/4 | 140 | 50 | 50 |
| NM-KA-4 | 4/4 | 160 | 50 | 50 |
| NM-KA-5 | 5/5 | 180 | 50 | 50 |
| NM-KA-6 | 5/5 | 220 | 50 | 50 |

Sliding L Anchor With Welded Tie



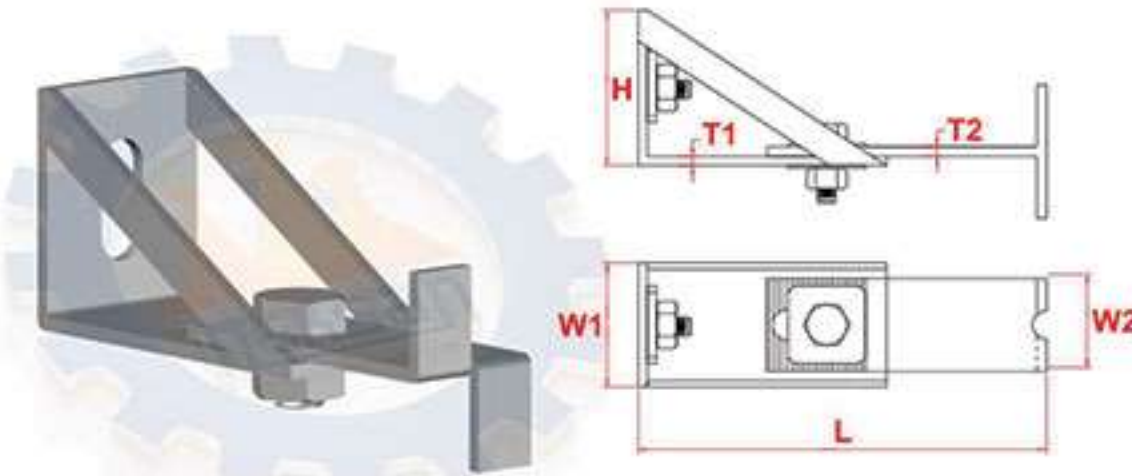
| Ürün Kodu Product Code | T1/T2 mm | L mm | W1/W2 mm | H mm |
|---------------------------|-------------|---------|-------------|---------|
| NM-KAD-1 | 3/3 | 200 | 40/30 | 50 |
| NM-KAD-2 | 3/3 | 220 | 40/30 | 50 |
| NM-KAD-3 | 4/4 | 240 | 50/40 | 50 |
| NM-KAD-4 | 4/4 | 260 | 50/40 | 50 |
| NM-KAD-5 | 5/5 | 280 | 60/50 | 50 |
| NM-KAD-6 | 5/5 | 300 | 60/50 | 50 |

Sliding L Anchor With Kerf



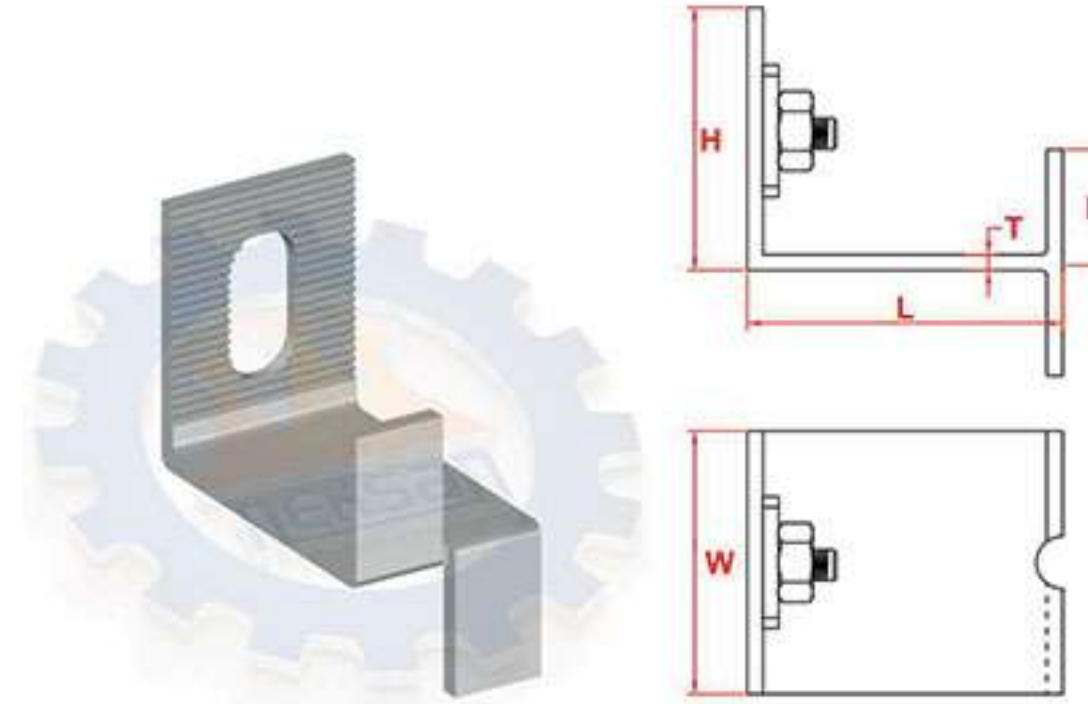
| Ürün Kodu Product Code | T1/T2 mm | L mm | W1/W2 mm | H mm |
|---------------------------|-------------|---------|-------------|---------|
| NM-KAK-1 | 3/3 | 100 | 40/30 | 50 |
| NM-KAK-2 | 3/3 | 120 | 40/30 | 50 |
| NM-KAK-3 | 4/4 | 140 | 50/40 | 50 |
| NM-KAK-4 | 4/4 | 160 | 50/40 | 50 |
| NM-KAK-5 | 5/5 | 180 | 60/50 | 50 |
| NM-KAK-6 | 5/5 | 200 | 60/50 | 50 |

Sliding L Anchor With Kerf and Welled Tie



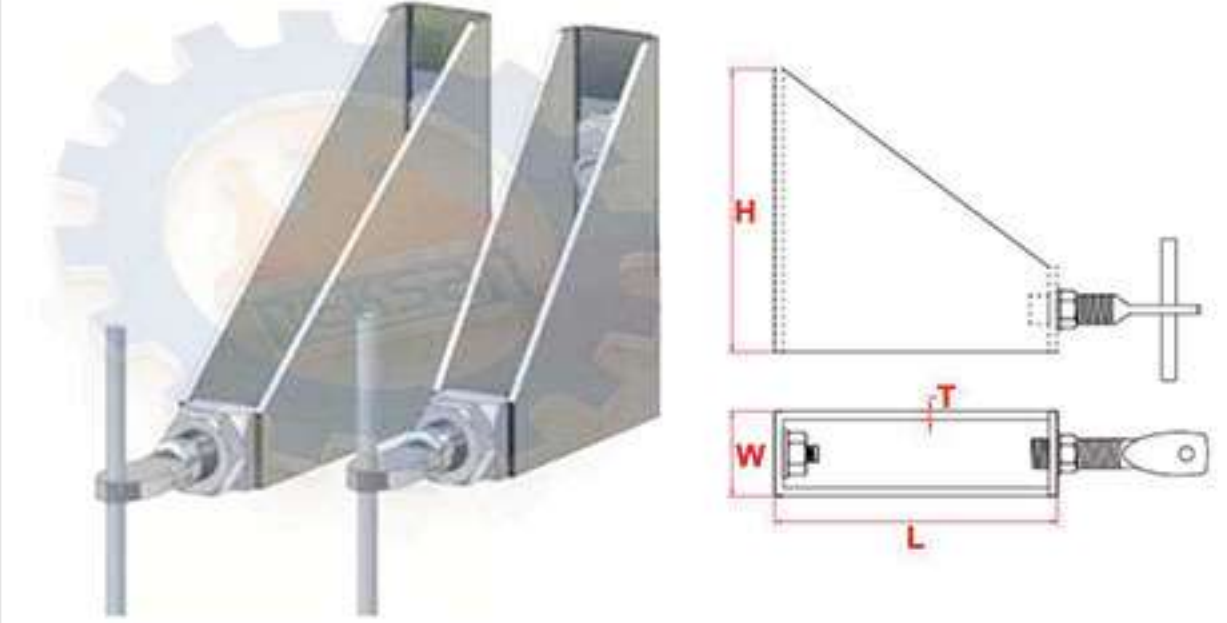
| Ürün Kodu Product Code | T1/T2 mm | L mm | W1/W2 mm | H mm |
|---------------------------|-------------|---------|-------------|---------|
| NM-KAK-7 | 3/3 | 100 | 40/30 | 50 |
| NM-KAK-8 | 3/3 | 120 | 40/30 | 50 |
| NM-KAK-9 | 4/4 | 140 | 50/40 | 50 |
| NM-KAK-10 | 4/4 | 160 | 50/40 | 50 |
| NM-KAK-11 | 5/5 | 180 | 60/50 | 50 |
| NM-KAK-12 | 5/5 | 200 | 60/50 | 50 |

Kerf Anchor



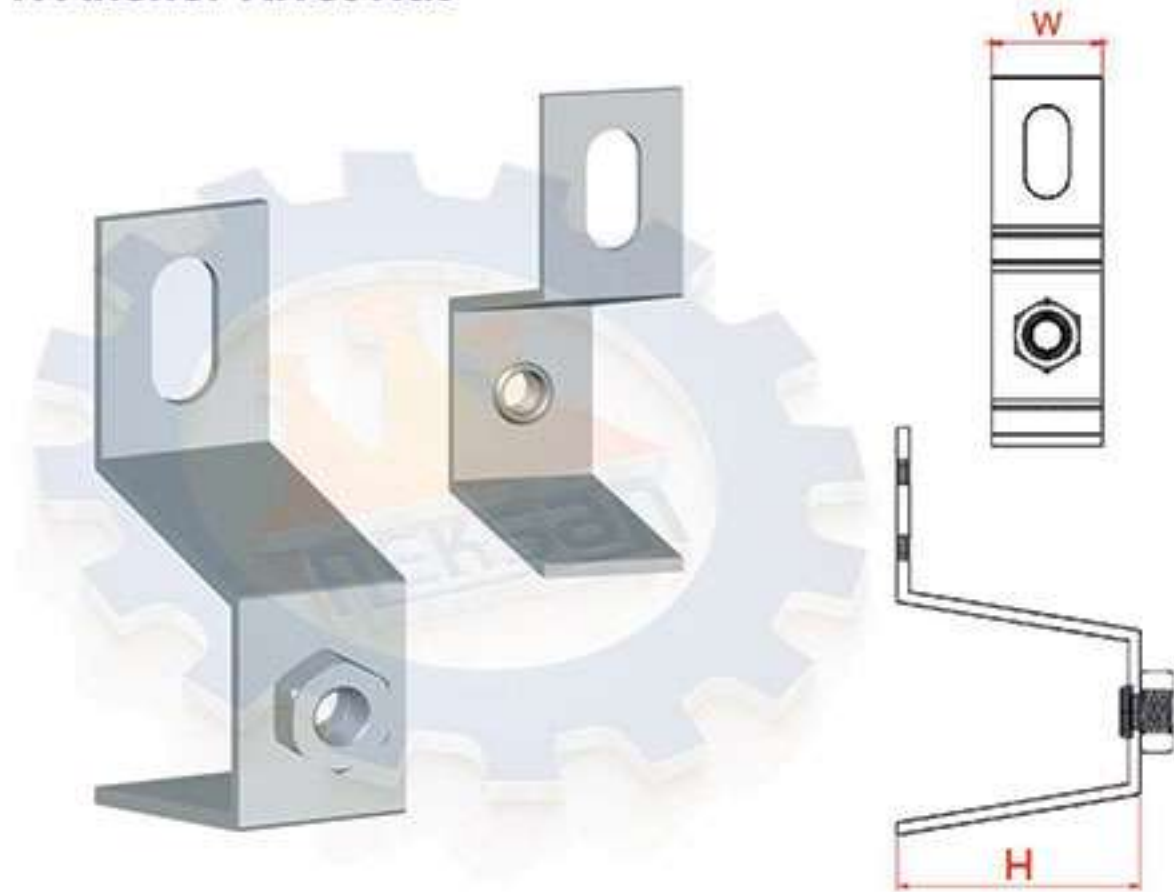
| Ürün Kodu Product Code | T mm | L mm | W mm | H mm |
|---------------------------|---------|---------|---------|---------|
| NM-LAK-1 | 3 | 32 | 40 | 30 |
| NM-LAK-2 | 3 | 42 | 40 | 30 |
| NM-LAK-3 | 3 | 47 | 40 | 30 |
| NM-LAK-4 | 4 | 47 | 40 | 30 |
| NM-LAK-5 | 4 | 52 | 40 | 30 |
| NM-LAK-6 | 4 | 57 | 40 | 30 |

Body Anchor Type 1



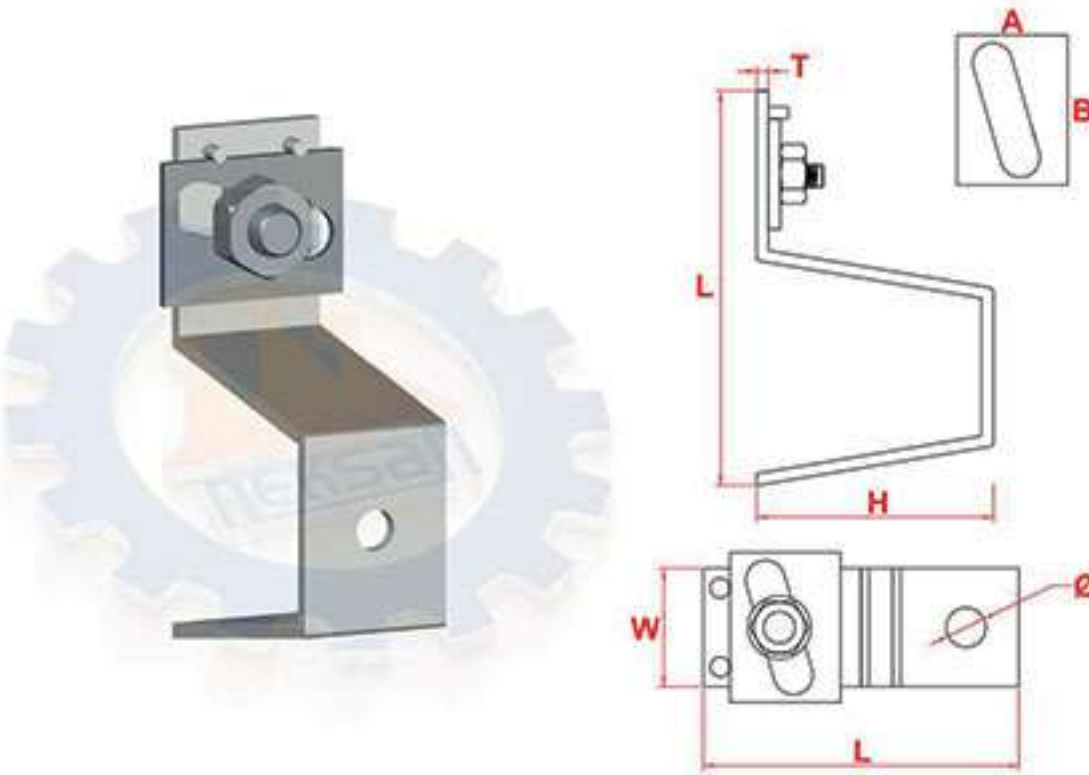
| Ürün Kodu Product Code | T mm | L mm | W mm | H mm |
|---------------------------|---------|---------|---------|---------|
| NM-BA-1 | 3 | 80 | 30 | 80 |
| NM-BA-2 | 3 | 100 | 30 | 100 |
| NM-BA-3 | 3 | 120 | 30 | 120 |
| NM-BA-4 | 4 | 140 | 40 | 140 |
| NM-BA-5 | 4 | 160 | 40 | 160 |
| NM-BA-6 | 4 | 180 | 40 | 180 |

H Anchor Rivet Nut



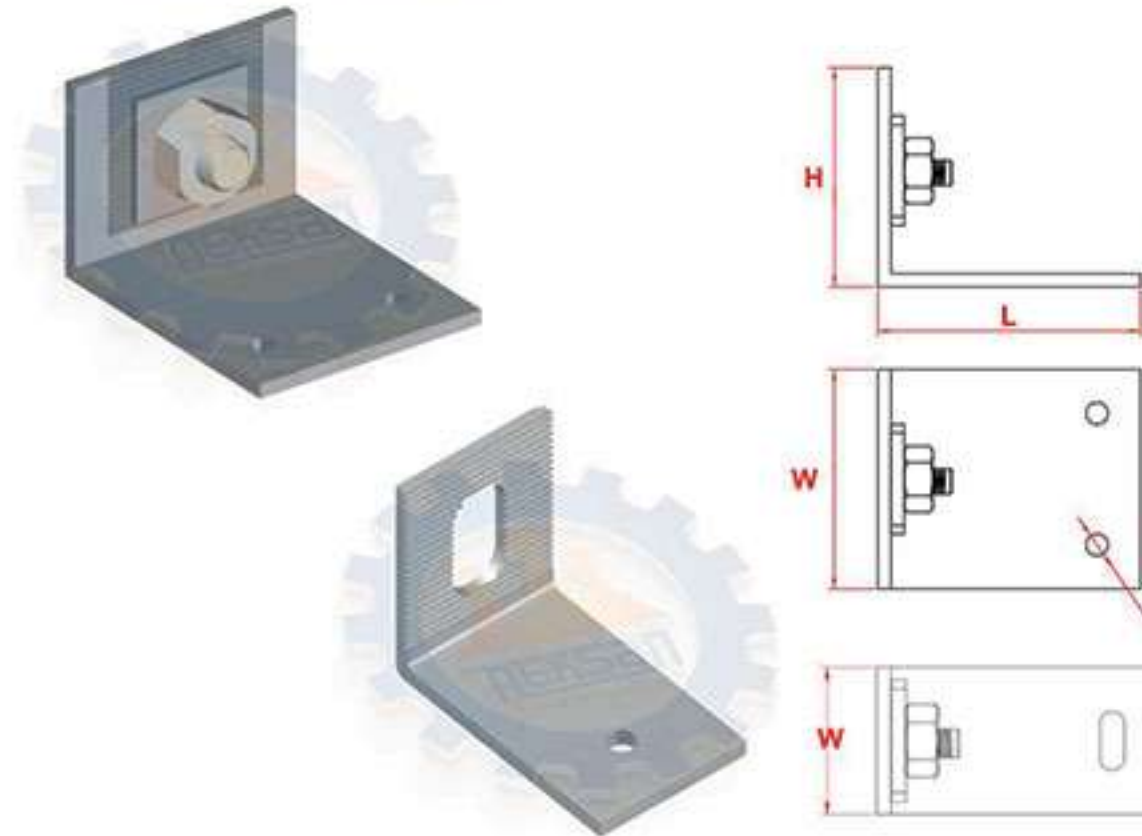
| Ürün Kodu Product Code | Ø mm | T mm | W mm | H mm |
|---------------------------|---------|---------|----------|---------|
| NM-HGR-1 | M10 | 3-4 | 27-30-40 | 10 |
| NM-HGR-2 | M10 | 3-4 | 27-30-40 | 20 |
| NM-HGR-3 | M10 | 3-4 | 27-30-40 | 40 |
| NM-HGR-4 | M10 | 3-4 | 27-30-40 | 60 |
| NM-HGR-5 | M10 | 3-4 | 27-30-40 | 80 |
| NM-HGR-6 | M10 | 3-4 | 27-30-40 | 100 |

H Anchor Special



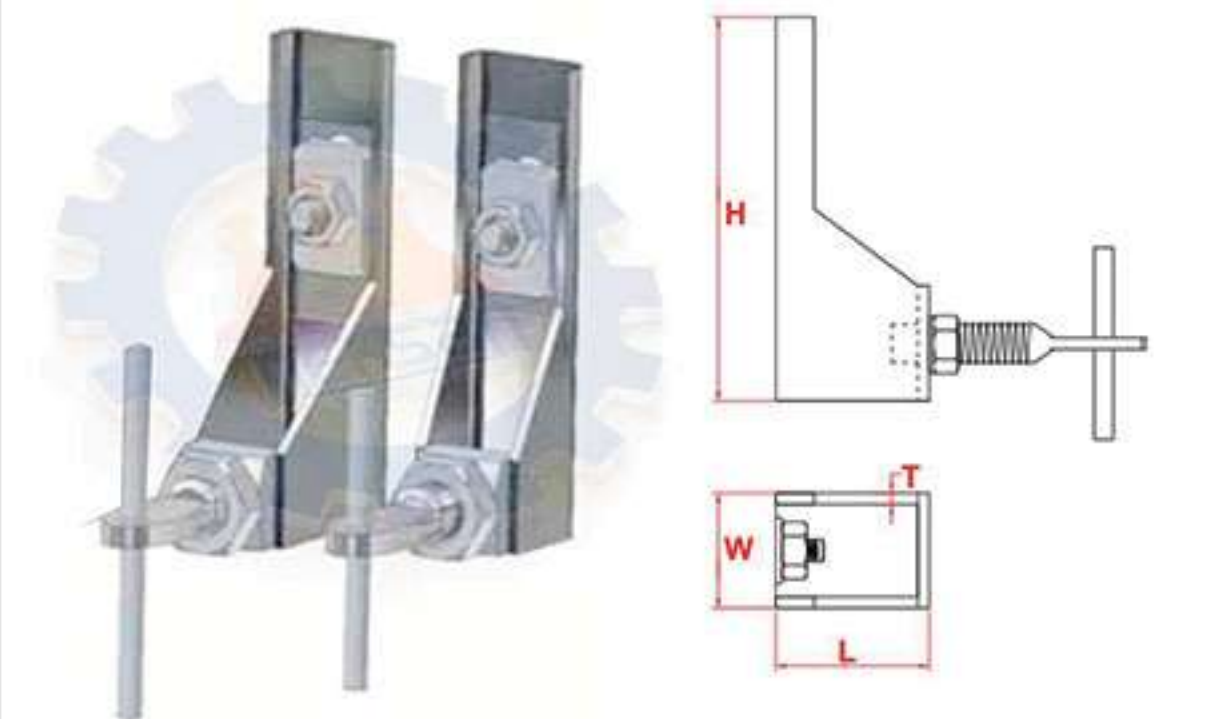
| Ürün Kodu Product Code | Ø mm | T mm | W mm | H mm |
|---------------------------|---------|---------|----------|---------|
| NM-HGA-1 | M10 | 3-4 | 27-30-40 | 10 |
| NM-HGA-2 | M10 | 3-4 | 27-30-40 | 20 |
| NM-HGA-3 | M10 | 3-4 | 27-30-40 | 40 |
| NM-HGA-4 | M10 | 3-4 | 27-30-40 | 60 |
| NM-HGA-5 | M10 | 3-4 | 27-30-40 | 80 |
| NM-HGA-6 | M10 | 3-4 | 27-30-40 | 100 |

L Anchor Double Pin



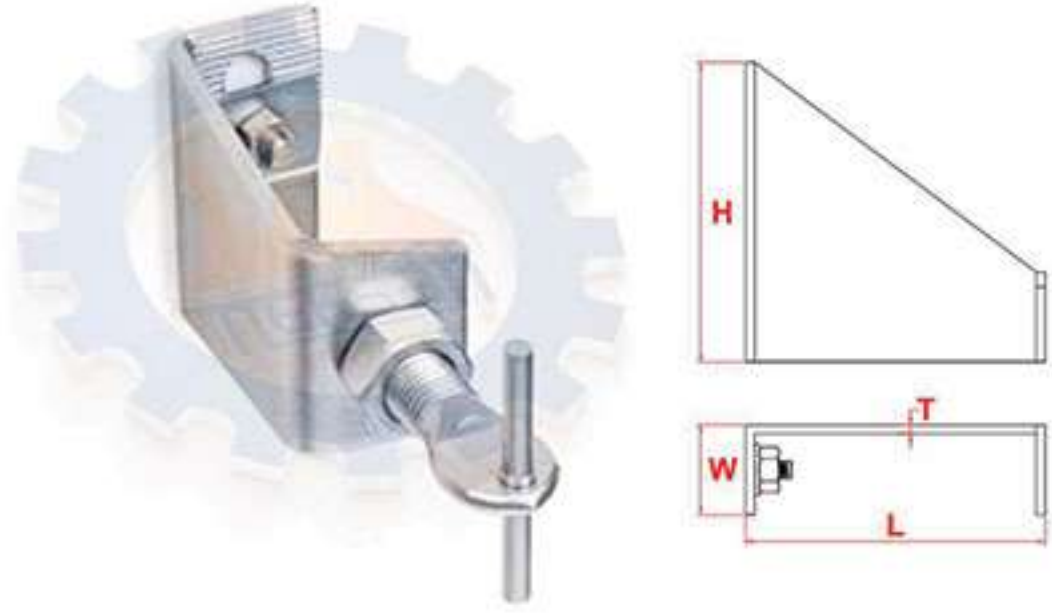
| Ürün Kodu Product Code | T mm | L mm | W metric | H metric |
|---------------------------|---------|---------|-------------|-------------|
| NM-LAP-1 | 3 | 42 | 40 | 30 |
| NM-LAP-2 | 3 | 52 | 40 | 30 |
| NM-LAP-3 | 3 | 62 | 40 | 30 |
| NM-LAP-4 | 4 | 42 | 40 | 30 |
| NM-LAP-5 | 4 | 52 | 40 | 30 |
| NM-LAP-6 | 4 | 62 | 40 | 30 |

Body Anchor Type 2



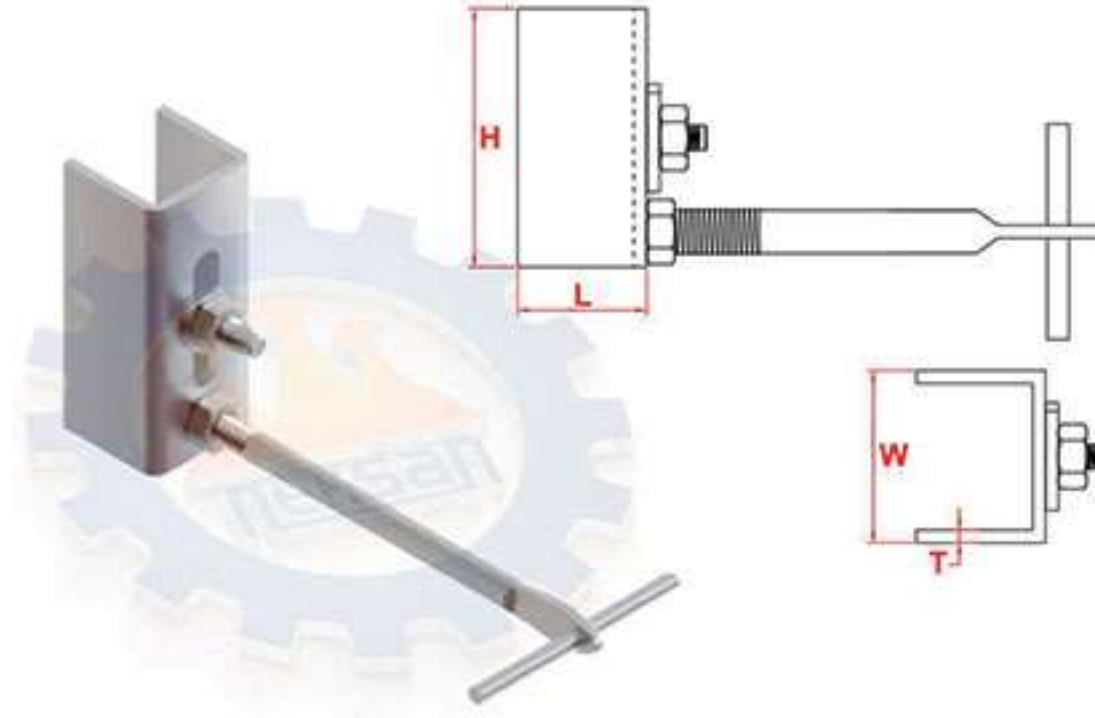
| Ürün Kodu Product Code | T mm | L mm | W mm | H mm |
|---------------------------|---------|---------|---------|---------|
| NM-BA-7 | 3 | 40 | 30 | 80 |
| NM-BA-8 | 3 | 50 | 30 | 100 |
| NM-BA-9 | 3 | 60 | 30 | 120 |
| NM-BA-10 | 4 | 70 | 40 | 140 |
| NM-BA-11 | 4 | 80 | 40 | 160 |
| NM-BA-12 | 4 | 100 | 40 | 200 |

C Anchor Type 1



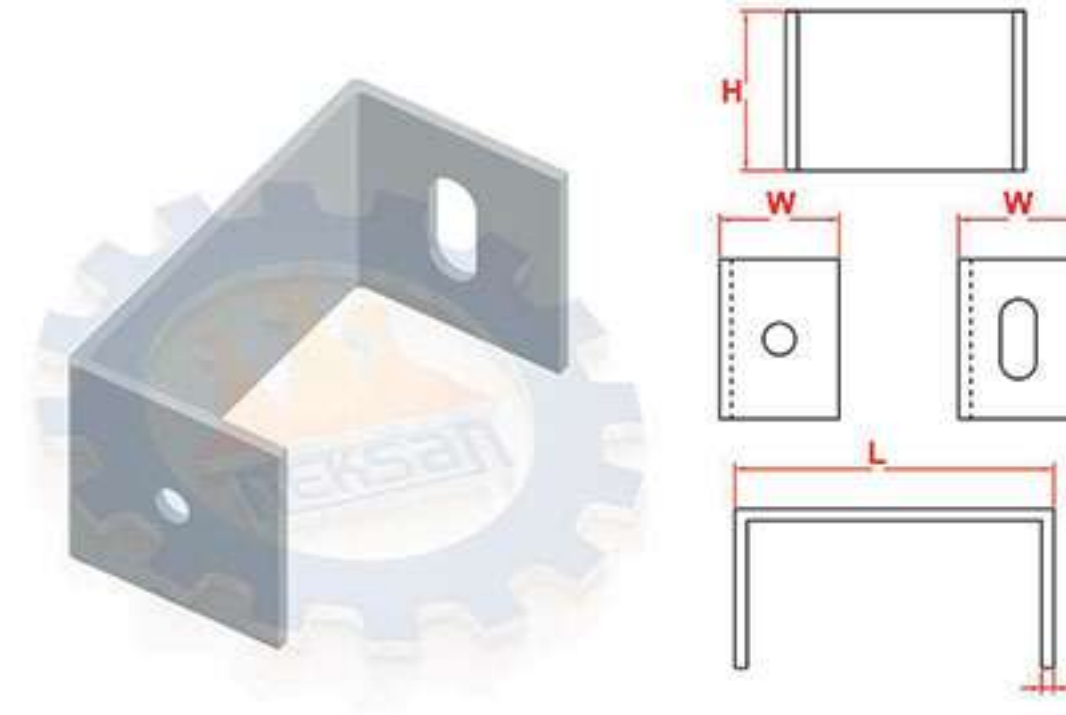
| Ürün Kodu Product Code | T mm | L mm | W mm | H mm |
|---------------------------|---------|---------|---------|---------|
| NM-CG-1 | 4 | 80 | 40 | 80 |
| NM-CG-2 | 4 | 100 | 45 | 90 |
| NM-CG-3 | 5 | 120 | 45 | 90 |
| NM-CG-4 | 5 | 140 | 50 | 100 |
| NM-CG-5 | 6 | 180 | 50 | 100 |
| NM-CG-6 | 6 | 200 | 60 | 120 |

C Anchor Type 2



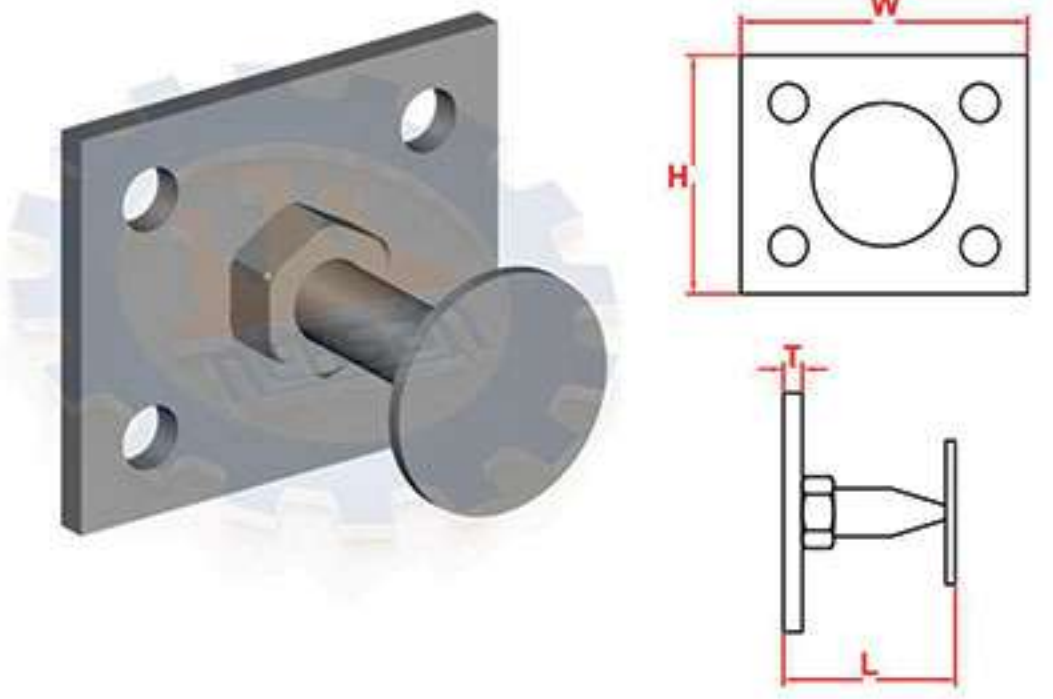
| Ürün Kodu Product Code | T mm | L mm | W mm | H mm |
|---------------------------|---------|---------|---------|---------|
| NM-CG-7 | 4 | 40 | 40 | 80 |
| NM-CG-8 | 4 | 60 | 40 | 80 |
| NM-CG-9 | 5 | 80 | 50 | 100 |
| NM-CG-10 | 5 | 100 | 50 | 100 |
| NM-CG-11 | 6 | 120 | 60 | 120 |

C Anchor Type 3



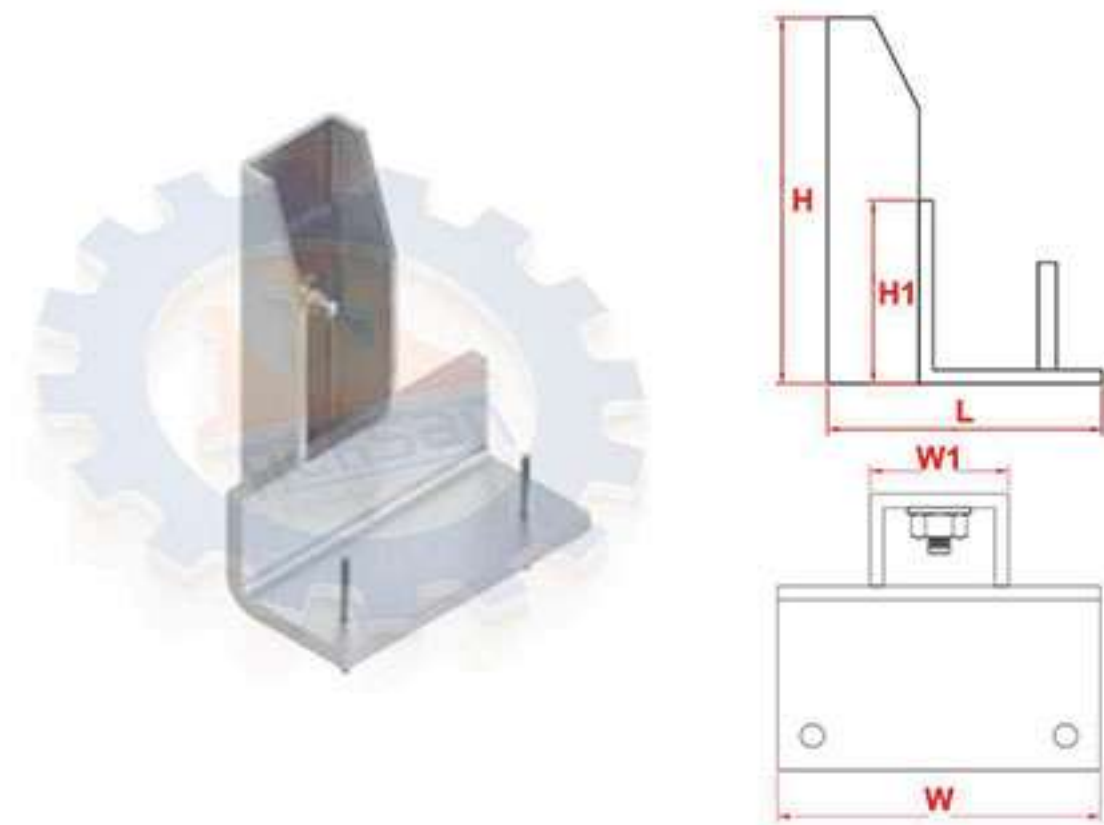
| Ürün Kodu Product Code | T mm | L mm | W mm | H mm |
|---------------------------|---------|---------|---------|---------|
| NM-CG-12 | 4 | 80 | 40 | 40 |
| NM-CG-13 | 4 | 100 | 40 | 50 |
| NM-CG-14 | 5 | 120 | 50 | 60 |
| NM-CG-15 | 5 | 180 | 50 | 80 |
| NM-CG-16 | 6 | 200 | 60 | 100 |

Adjustable Flat Head Anchor



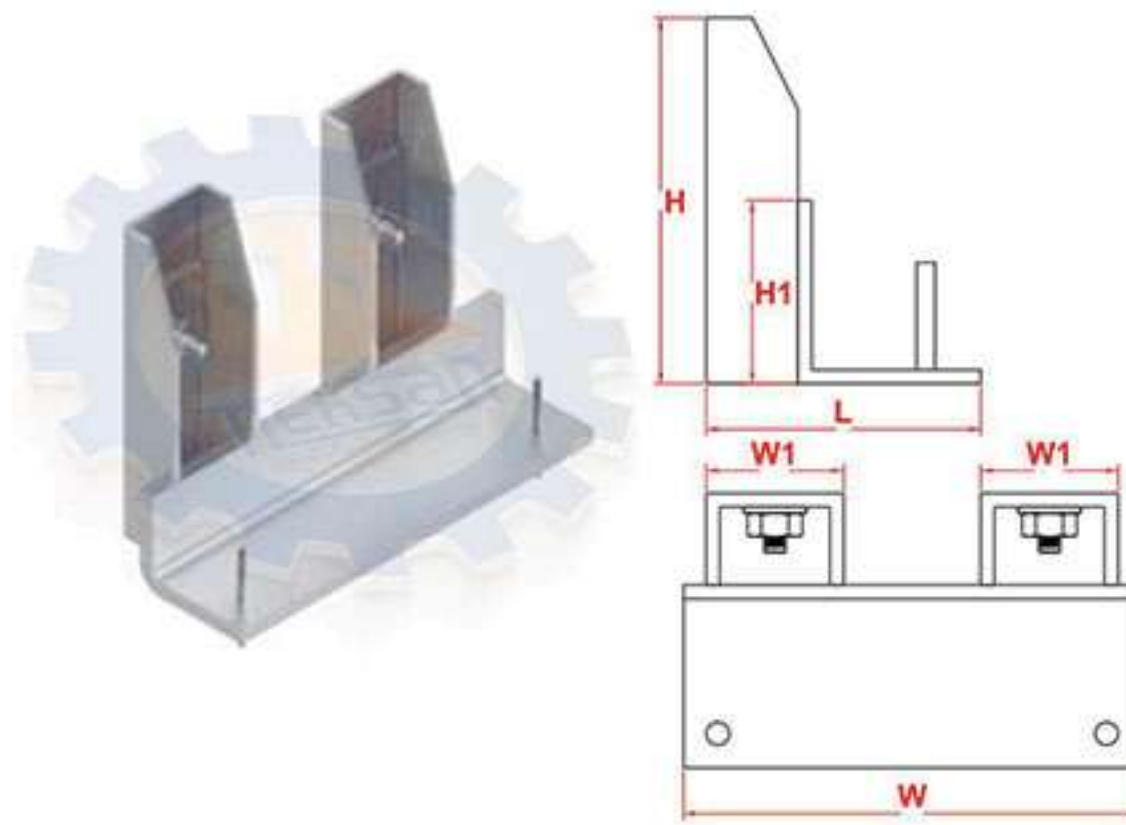
| Ürün Kodu Product Code | T mm | L mm | W mm | H mm |
|---------------------------|---------|---------|---------|---------|
| NM-NA-1 | 4 | 40 | 60 | 50 |
| NM-NA-2 | 4 | 50 | 60 | 50 |
| NM-NA-3 | 4 | 60 | 60 | 50 |
| NM-NA-4 | 4 | 70 | 60 | 50 |
| NM-NA-5 | 4 | 80 | 60 | 50 |
| NM-NA-6 | 4 | 100 | 60 | 50 |

Special Anchor Single



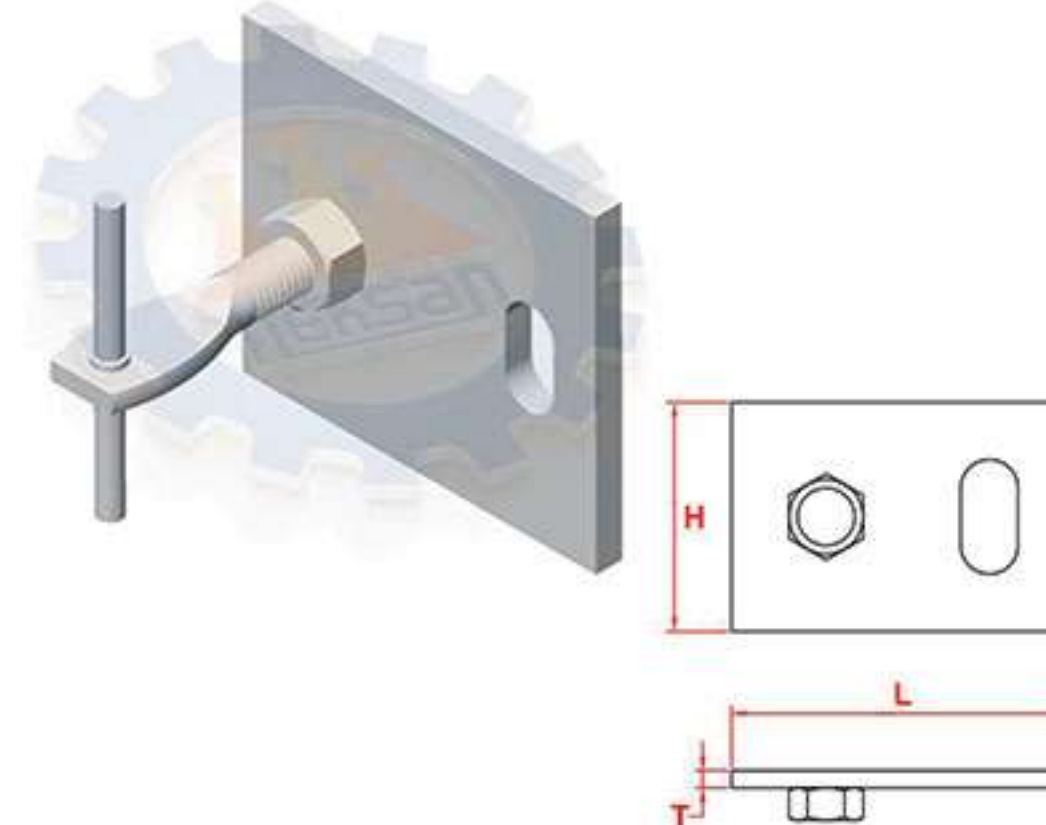
| Ürün Kodu Product Code | T mm | L mm | W/W1 mm | H/H1 mm |
|---------------------------|---------|---------|------------|------------|
| NM-OA-1 | 3-4-5 | 80 | 50/40 | 40/40 |
| NM-OA-2 | 3-4-5 | 100 | 50/40 | 50/40 |
| NM-OA-3 | 3-4-5 | 120 | 50/40 | 50/40 |
| NM-OA-4 | 3-4-5 | 140 | 60/50 | 60/50 |
| NM-OA-5 | 3-4-5 | 160 | 60/50 | 60/50 |
| NM-OA-6 | 3-4-5 | 200 | 60/50 | 60/50 |

Special Anchor Double



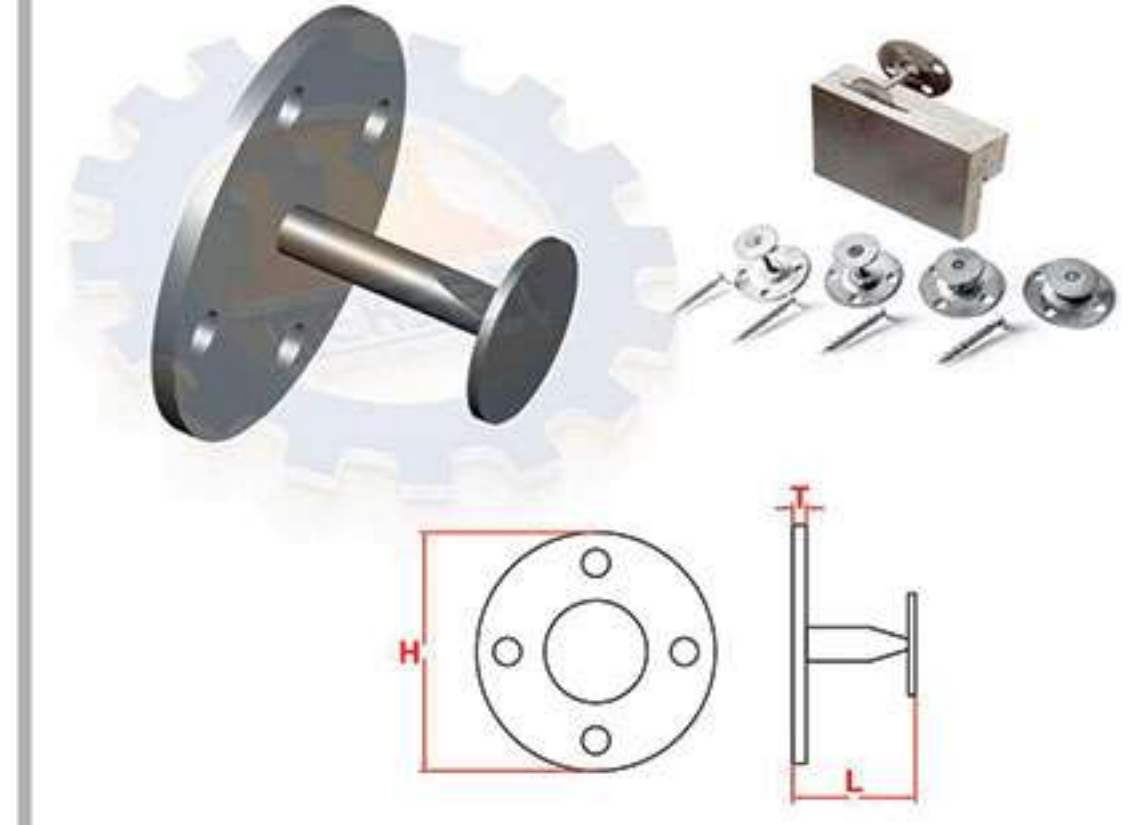
| Ürün Kodu Product Code | T mm | L mm | W/W1 mm | H/H1 mm |
|---------------------------|---------|---------|------------|------------|
| NM-OA-7 | 3-4-5 | 80 | 50/40 | 80/40 |
| NM-OA-8 | 3-4-5 | 100 | 50/40 | 80/40 |
| NM-OA-9 | 3-4-5 | 120 | 50/40 | 80/40 |
| NM-OA-10 | 3-4-5 | 140 | 60/50 | 100/50 |
| NM-OA-11 | 3-4-5 | 160 | 60/50 | 120/50 |
| NM-OA-12 | 3-4-5 | 200 | 60/50 | 140/50 |

Plate Anchor



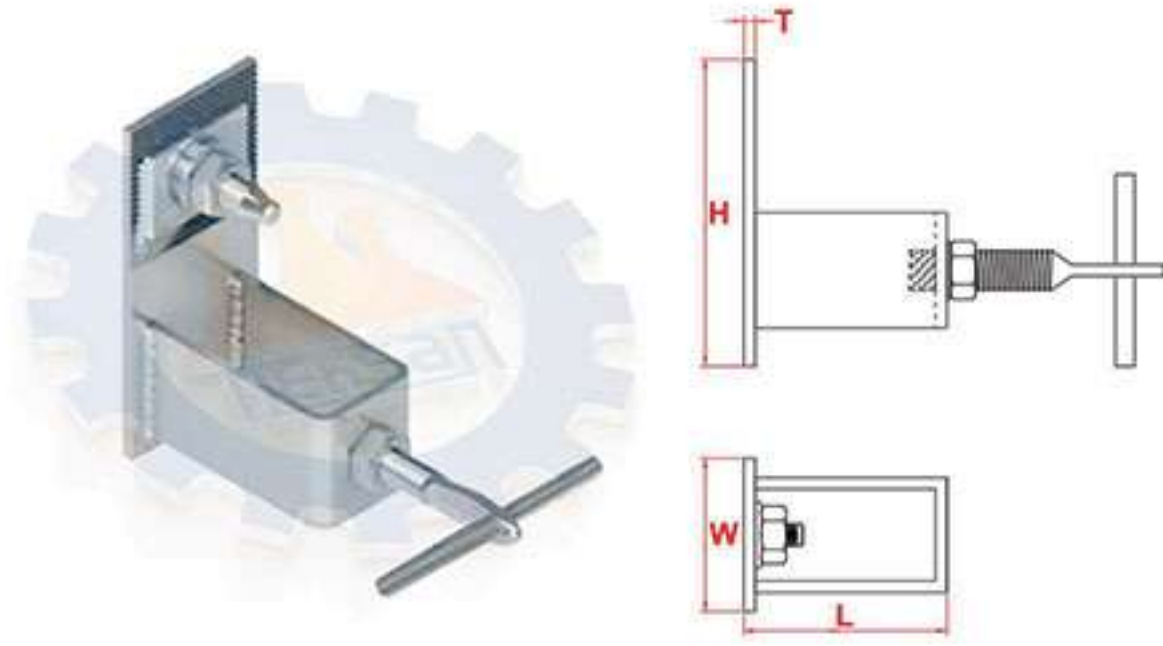
| Ürün Kodu Product Code | T mm | L mm | H mm |
|---------------------------|---------|---------|---------|
| NM-PG-1 | 3-4 | 40 | 20 |
| NM-PG-2 | 3-4 | 60 | 30 |
| NM-PG-3 | 3-4 | 80 | 40 |
| NM-PG-4 | 3-4 | 100 | 50 |
| NM-PG-5 | 3-4 | 120 | 60 |

Flat Head Anchor



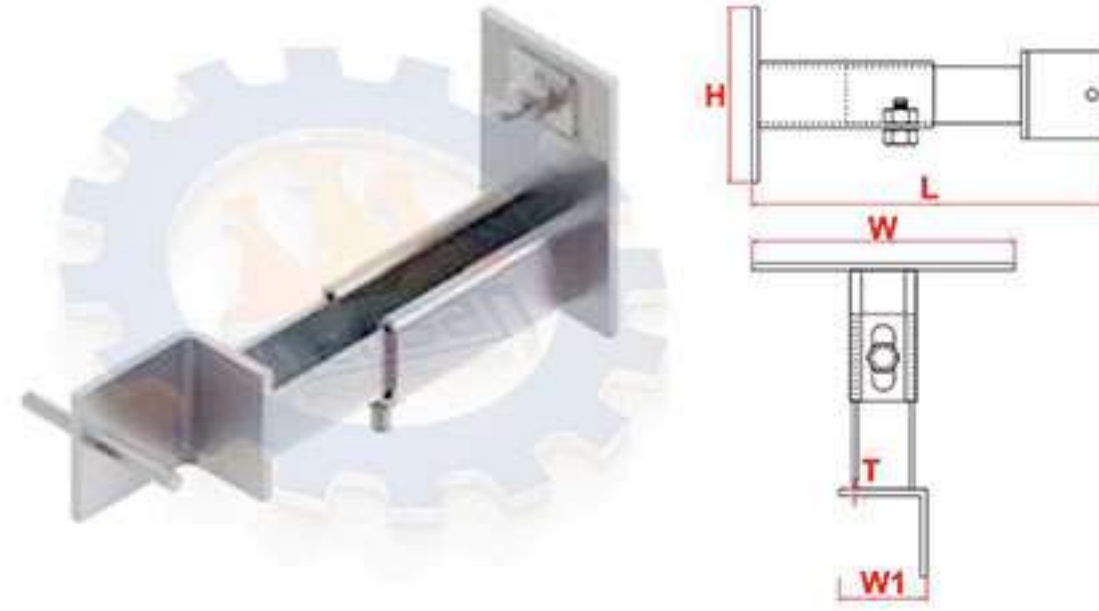
| Ürün Kodu Product Code | T mm | L mm | W mm | H mm |
|---------------------------|---------|---------|---------|---------|
| NM-NA-7 | 4 | 40 | 60 | 50 |
| NM-NA-8 | 4 | 50 | 60 | 50 |
| NM-NA-9 | 4 | 60 | 60 | 50 |
| NM-NA-10 | 4 | 70 | 60 | 50 |
| NM-NA-11 | 4 | 80 | 60 | 50 |
| NM-NA-12 | 4 | 100 | 60 | 50 |

B Anchor



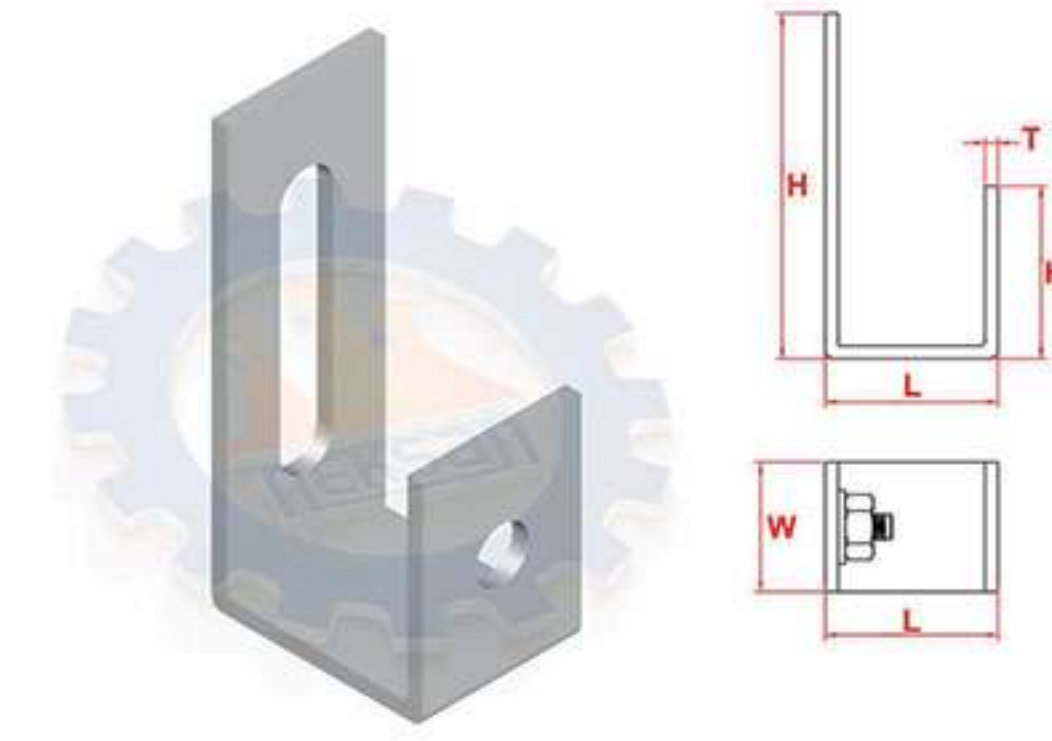
| Ürün Kodu Product Code | T mm | L mm | W mm | H mm |
|---------------------------|---------|---------|---------|---------|
| NM-BG-1 | 4 | 160 | 40 | 40 |
| NM-BG-2 | 4 | 180 | 40 | 40 |
| NM-BG-3 | 5 | 200 | 50 | 50 |
| NM-BG-4 | 5 | 220 | 50 | 50 |

Sliding Anchor Type 1



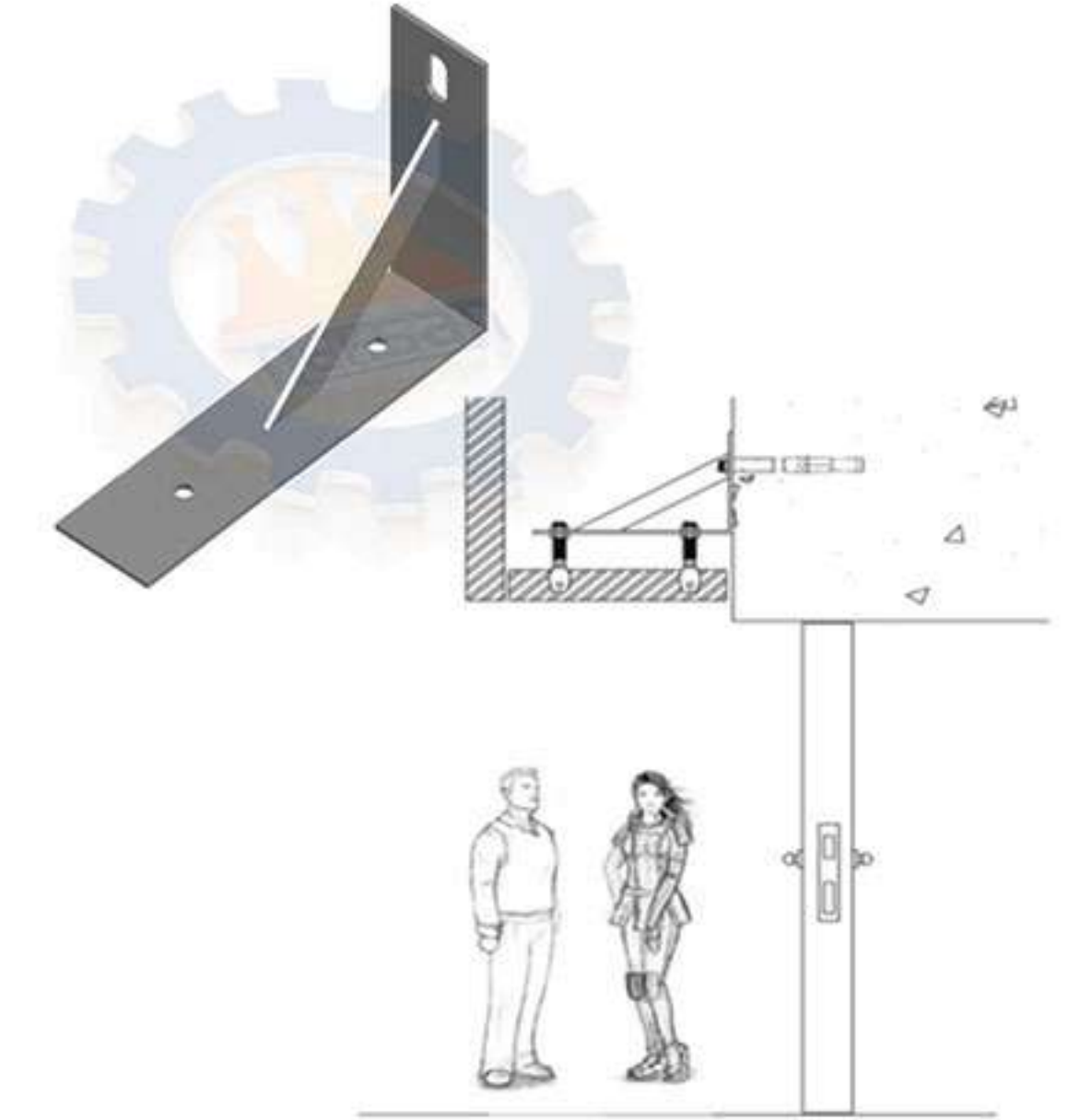
| Ürün Kodu Product Code | T mm | L mm | W/W1 mm | H mm |
|---------------------------|---------|---------|------------|---------|
| NM-SA-1 | 3-4-5 | 120 | 80/30 | 80 |
| NM-SA-2 | 3-4-5 | 140 | 80/30 | 80 |
| NM-SA-3 | 3-4-5 | 160 | 80/40 | 80 |
| NM-SA-4 | 3-4-5 | 180 | 80/40 | 100 |
| NM-SA-5 | 3-4-5 | 200 | 100/50 | 100 |
| NM-SA-6 | 3-4-5 | 240 | 100/50 | 100 |

U Anchor

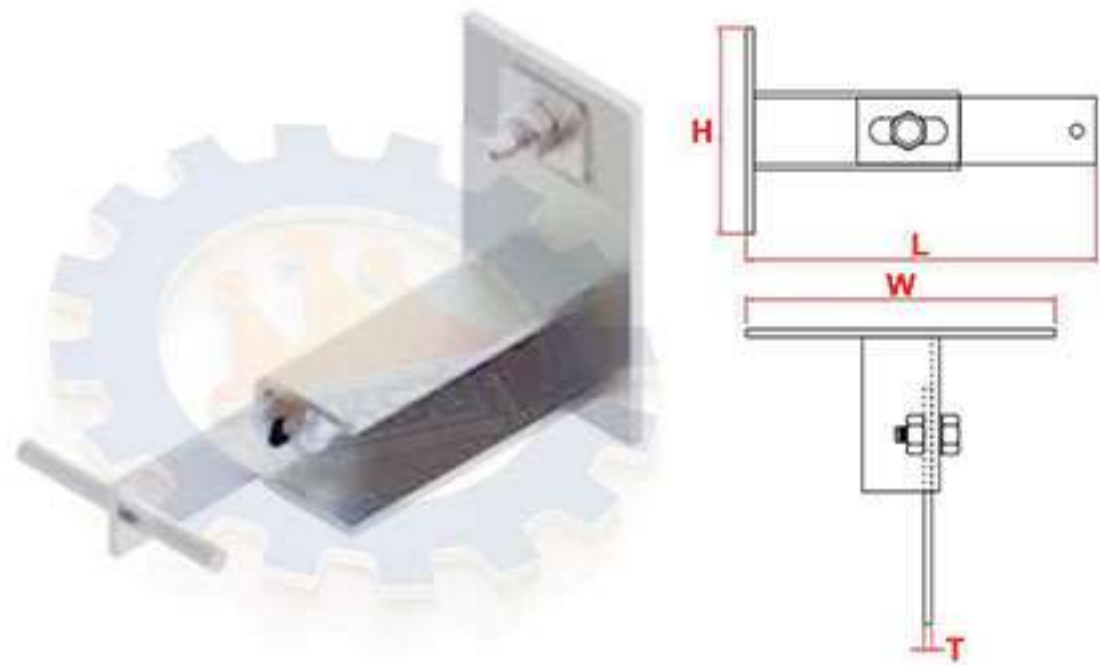


| Ürün Kodu Product Code | T mm | L mm | W mm | H mm | H1 mm |
|---------------------------|---------|---------|---------|---------|----------|
| NM-UG-1 | 3 | 30 | 30 | 60 | 30 |
| NM-UG-2 | 3 | 40 | 30 | 60 | 30 |
| NM-UG-3 | 4 | 50 | 40 | 80 | 30 |
| NM-UG-4 | 4 | 60 | 40 | 80 | 30 |
| NM-UG-5 | 5 | 60 | 50 | 100 | 30 |
| NM-UG-6 | 5 | 70 | 50 | 100 | 30 |

Hanger Connection Console

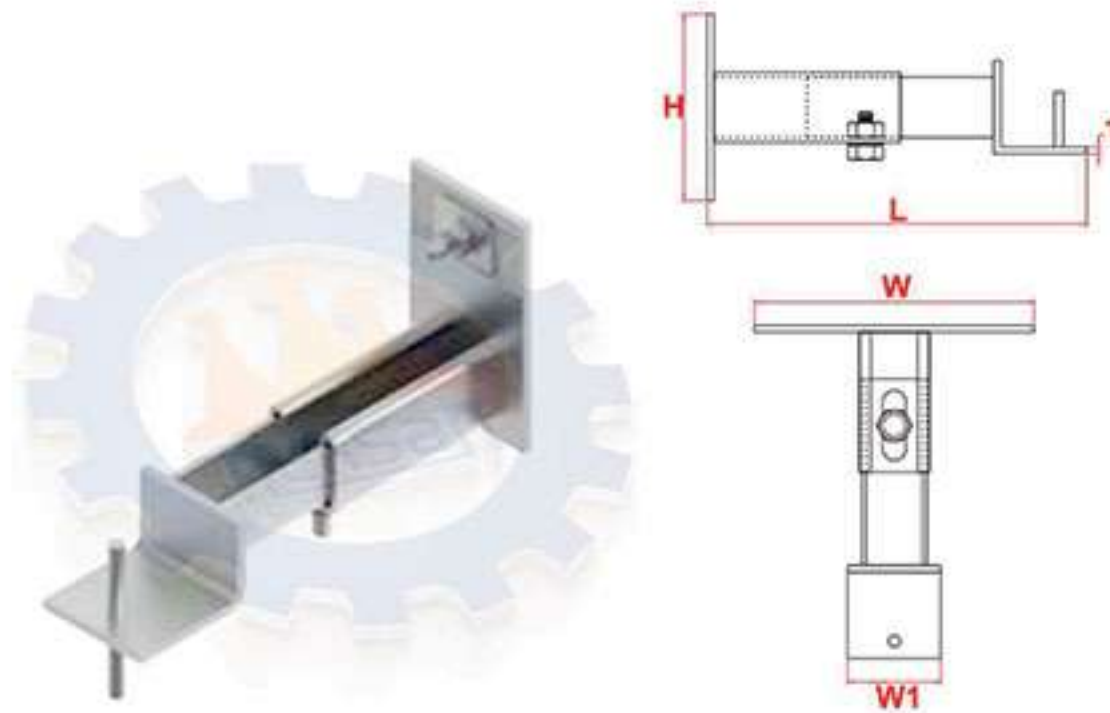


Sliding Anchor Type 2



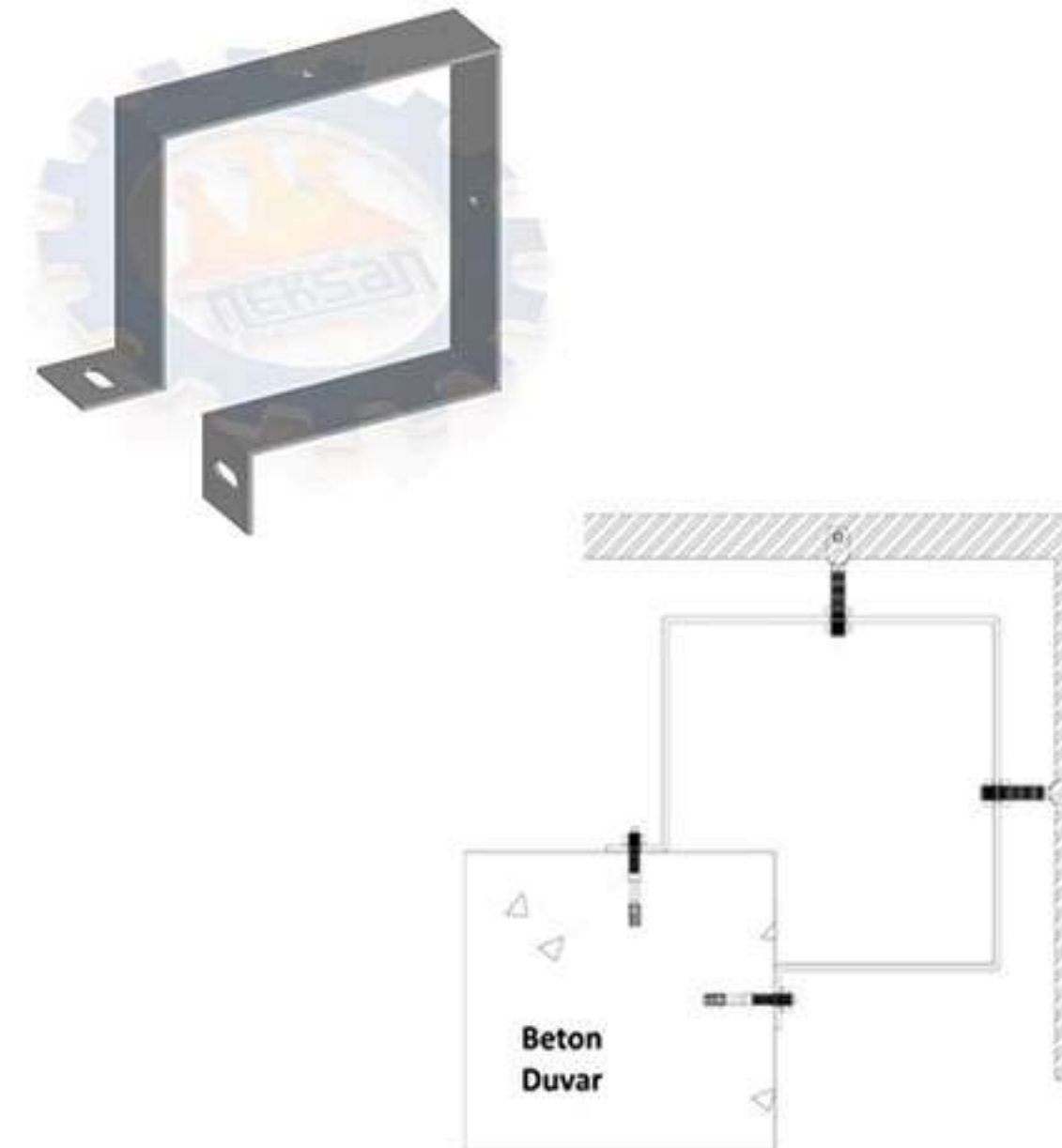
| Ürün Kodu Product Code | T mm | L mm | W mm | H mm |
|---------------------------|---------|---------|---------|---------|
| NM-SA-7 | 3-4-5 | 120 | 100 | 80 |
| NM-SA-8 | 3-4-5 | 140 | 100 | 80 |
| NM-SA-9 | 3-4-5 | 160 | 100 | 80 |
| NM-SA-10 | 3-4-5 | 180 | 120 | 100 |
| NM-SA-11 | 3-4-5 | 200 | 120 | 100 |
| NM-SA-12 | 3-4-5 | 240 | 120 | 100 |

Sliding Anchor Type 3

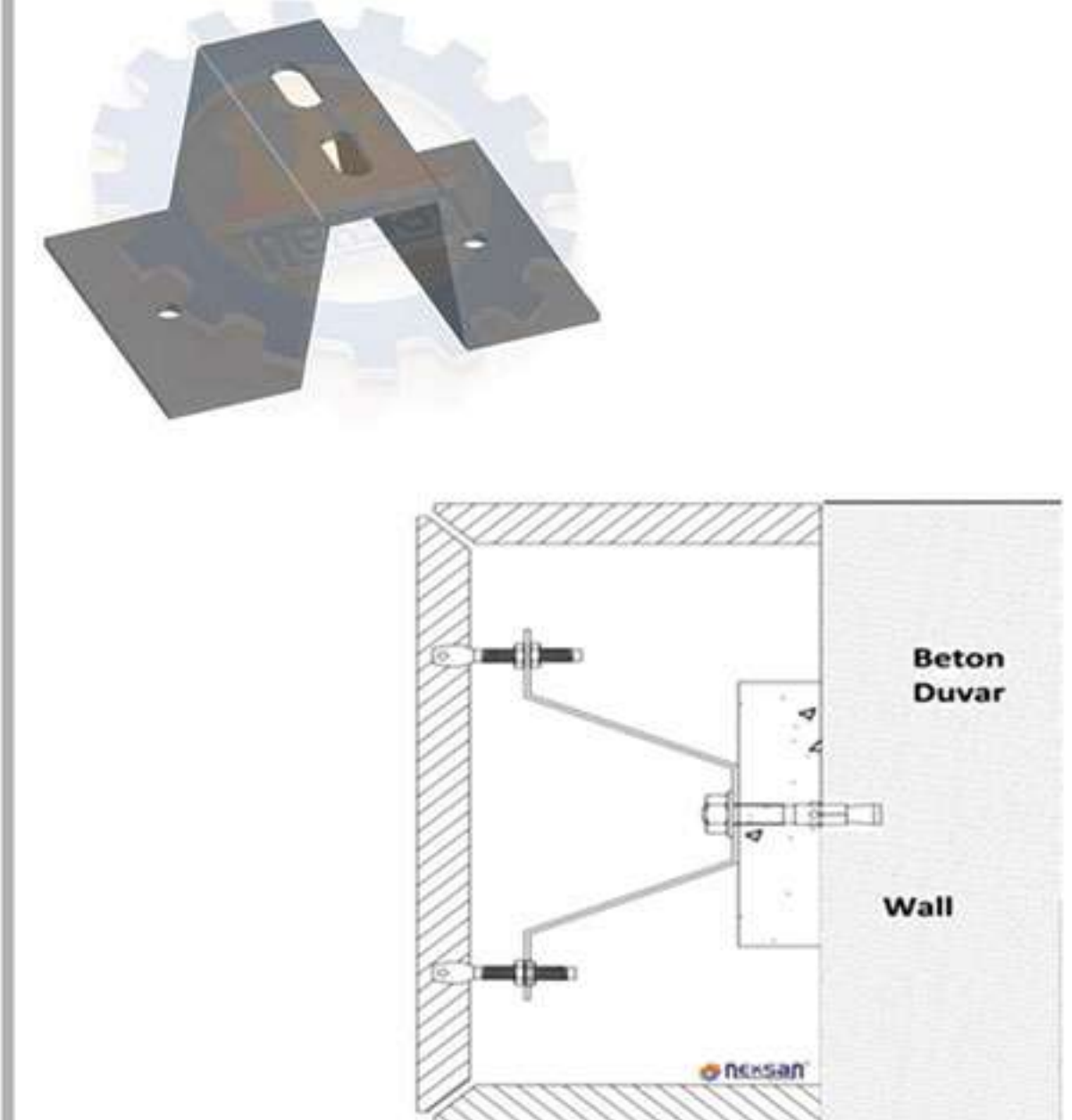


| Ürün Kodu Product Code | T mm | L mm | W/W1 mm | H mm |
|---------------------------|---------|---------|------------|---------|
| NM-SA-13 | 3-4-5 | 120 | 80/30 | 80 |
| NM-SA-14 | 3-4-5 | 140 | 80/30 | 80 |
| NM-SA-15 | 3-4-5 | 160 | 80/40 | 80 |
| NM-SA-16 | 3-4-5 | 180 | 80/40 | 100 |
| NM-SA-17 | 3-4-5 | 200 | 100/50 | 100 |
| NM-SA-18 | 3-4-5 | 240 | 100/50 | 100 |

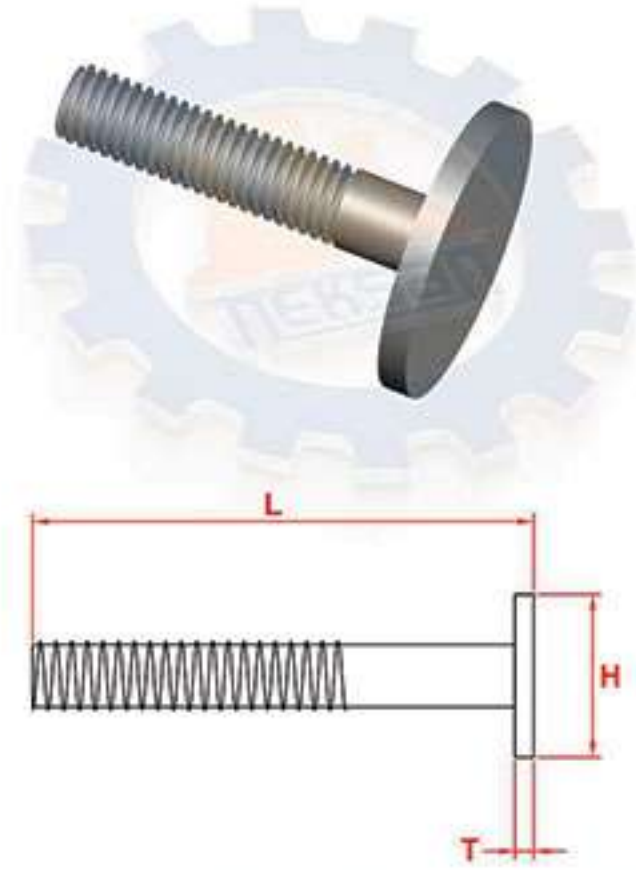
Corner Connection Anchor



Point Dual Connection Console

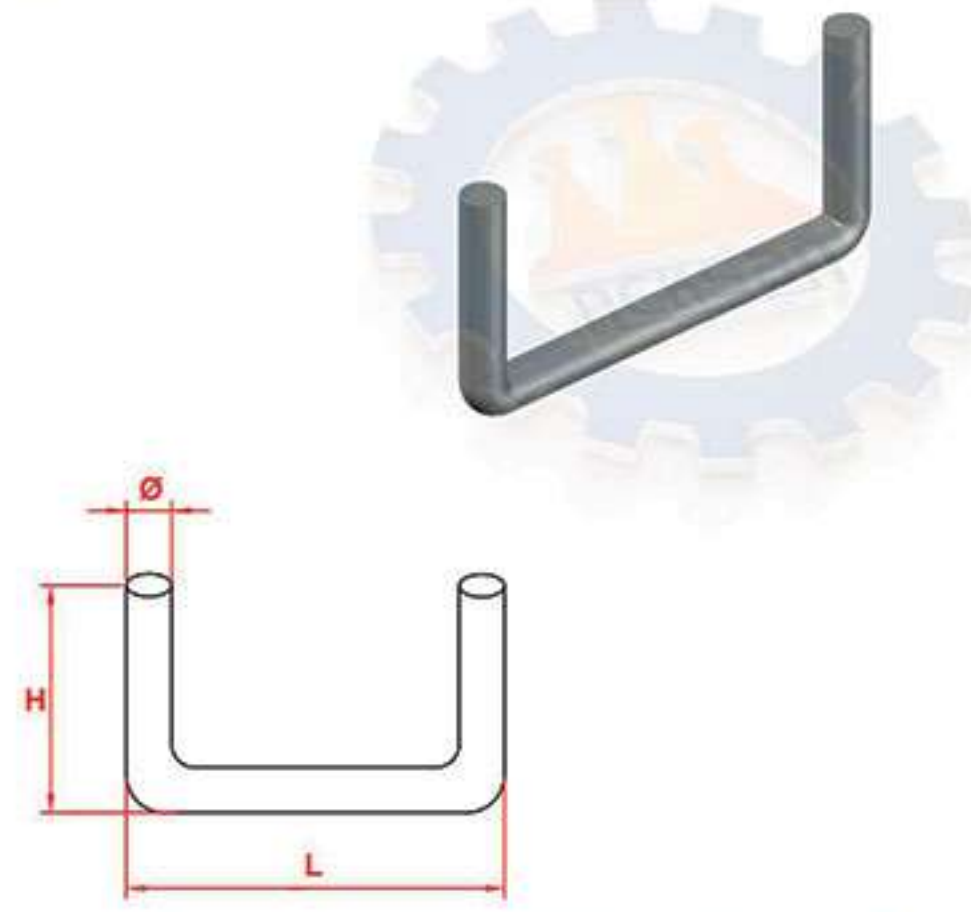


Circular Headed Adjustable Arm



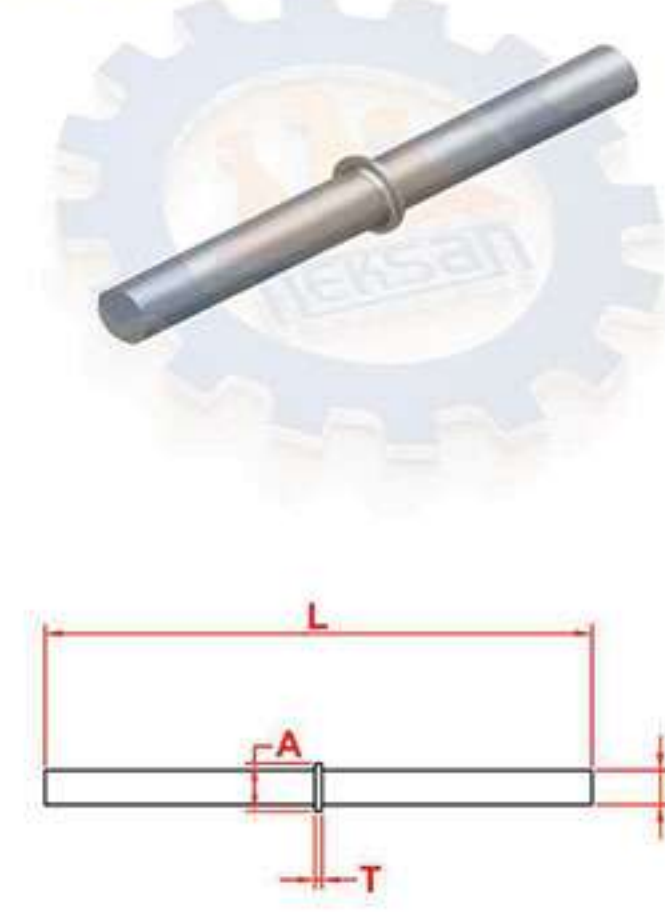
| Ürün Kodu Product Code | Ø mm | L mm | T mm | H mm |
|---------------------------|---------|---------|---------|---------|
| NM-AVP-1 | M10 | 40 | 3 | 26 |
| NM-AVP-2 | M10 | 50 | 3 | 26 |
| NM-AVP-3 | M10 | 60 | 3 | 26 |
| NM-AVP-4 | M10 | 70 | 3 | 26 |
| NM-AVP-5 | M10 | 80 | 3 | 26 |

U Pin



| Ürün Kodu Product Code | Ø mm | L mm | H mm |
|---------------------------|---------|---------|---------|
| NM-DPU-1 | 4 | 20 | 50 |
| NM-DPU-2 | 5 | 25 | 50 |
| NM-DPU-3 | 6 | 30 | 50 |

Flanged Pin



| Ürün Kodu Product Code | Ø mm | L mm |
|---------------------------|---------|---------|
| NM-KP-1 | 5 | 50 |
| NM-KP-2 | 5 | 60 |
| NM-KP-3 | 5 | 70 |

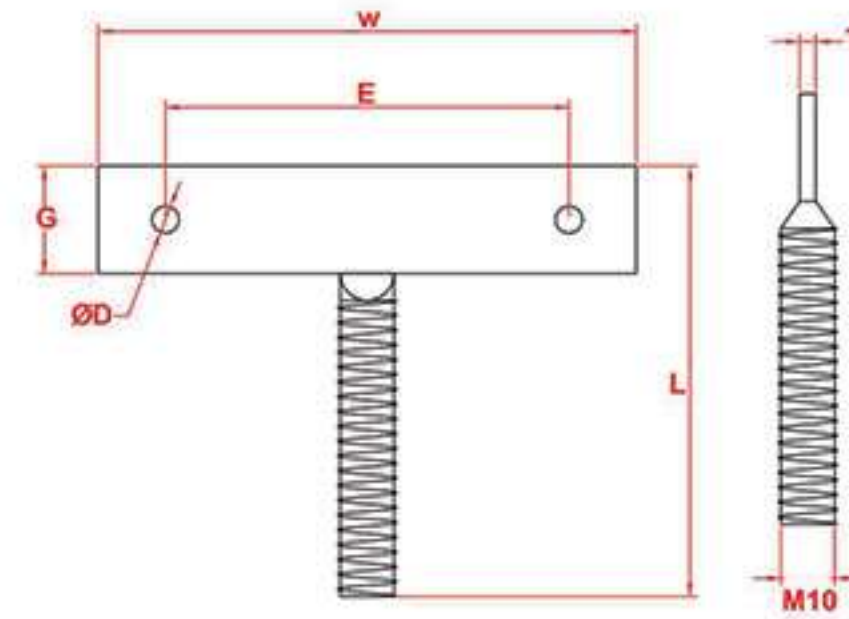
Used with Adjustable Anchors. Produced from 304-316 Quality Stainless Steel (INOX) and Galvanized steel.

Pin



| Ürün Kodu Product Code | Ø mm | L mm |
|---------------------------|---------|---------|
| NM-DP-1 | 5 | 50 |
| NM-DP-2 | 5 | 60 |
| NM-DP-3 | 5 | 70 |

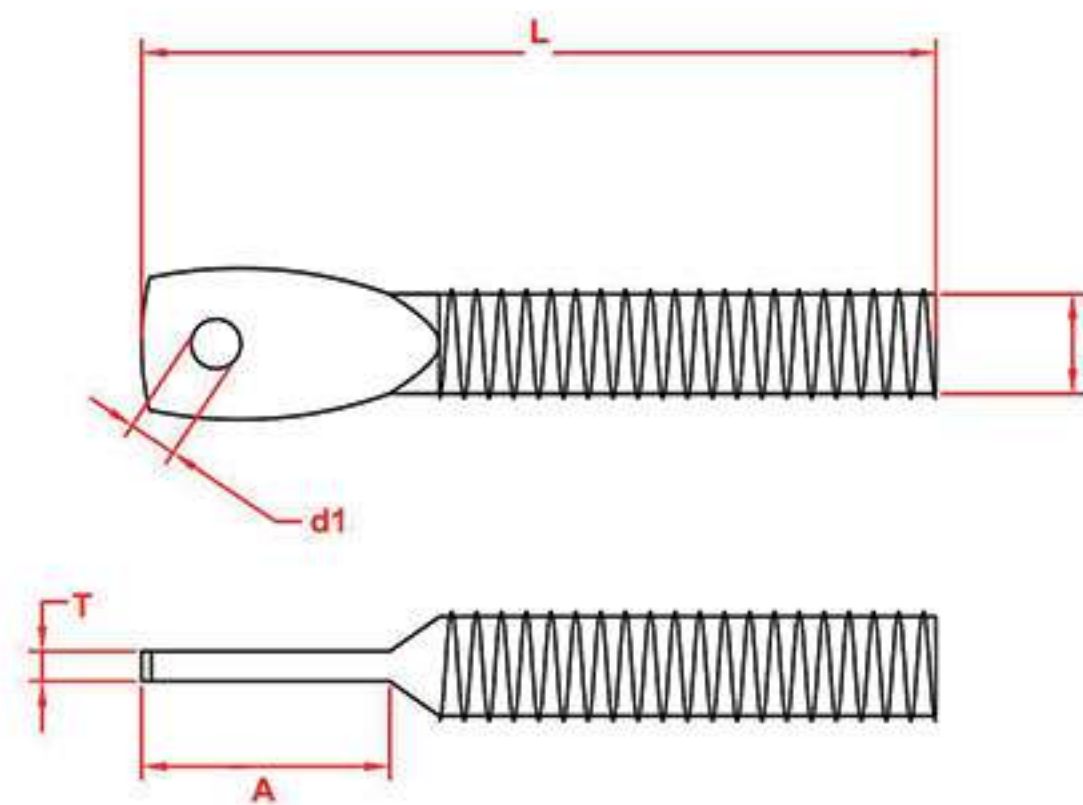
T Support



| Ürün Kodu Product Code | Ø mm | L mm | W mm | G mm |
|---------------------------|---------|---------|---------|---------|
| NM-TAV-1 | M10 | 40 | 50 | 15 |
| NM-TAV-2 | M10 | 50 | 60 | 15 |
| NM-TAV-3 | M10 | 60 | 70 | 20 |
| NM-TAV-4 | M10 | 70 | 80 | 30 |
| NM-TAV-5 | M10 | 80 | 100 | 40 |

Used to adjust the cavity between the wall and the material. Practically used in mounting double Stones at once. Sheet Metal can be produced according to the sizes requested. Produced from 430-304-316 Quality Stainless Steel (INOX).

Adjustable Arm

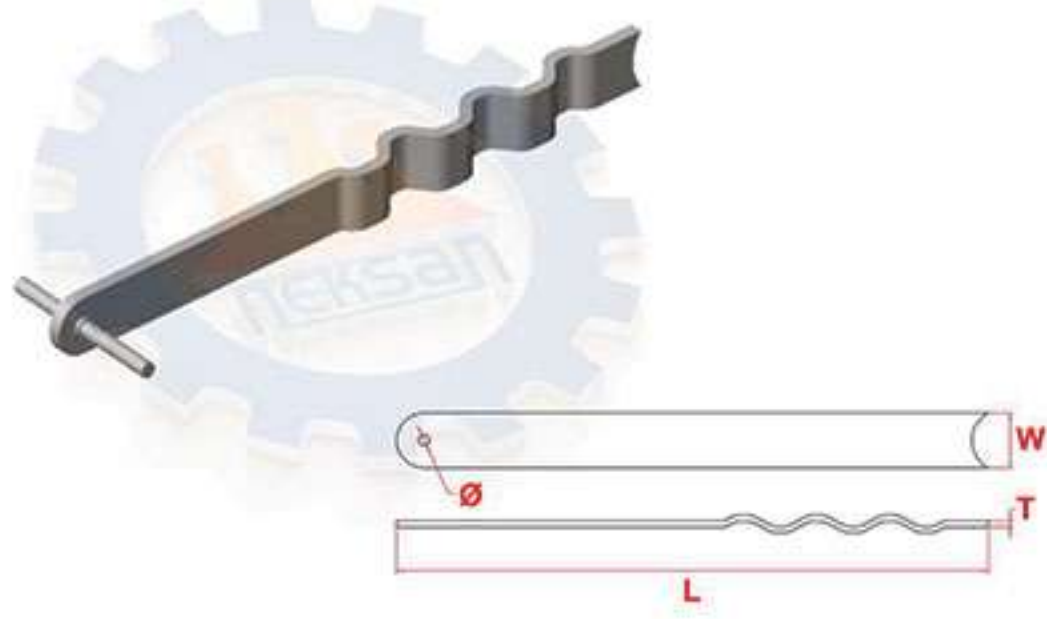


| Ürün Kodu Product Code | D Ø mm | L mm | A mm | T mm |
|---------------------------|------------|---------|---------|---------|
| NM-AV-1 | M8-M10-M12 | 40 | 24 | 3-4 |
| NM-AV-2 | M8-M10-M12 | 50 | 24 | 3-4 |
| NM-AV-3 | M8-M10-M12 | 60 | 24 | 3-4 |
| NM-AV-4 | M8-M10-M12 | 70 | 24 | 3-4 |
| NM-AV-5 | M8-M10-M12 | 80 | 24 | 3-4 |
| NM-AV-6 | M8-M10-M12 | 90 | 24 | 3-4 |
| NM-AV-7 | M8-M10-M12 | 100 | 24 | 3-4 |



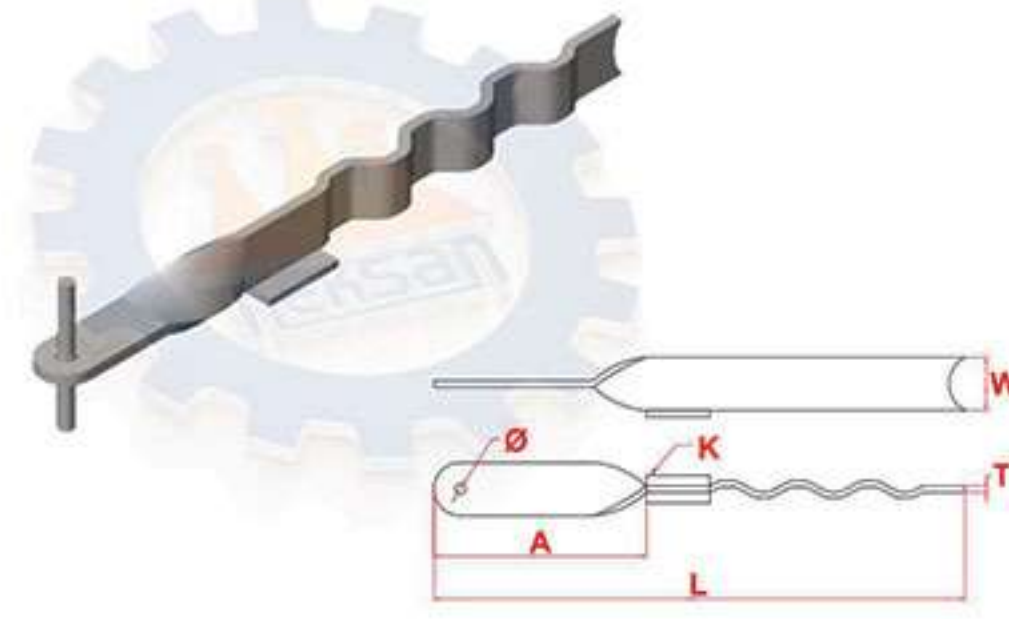
Used with Adjustable Supporter & Binding Z Anchors. Used to adjust the cavity between the Wall and the material. Produced from 304-316 Quality Stainless Steel (INOX) and Galvanized steel.

Leaf Anchor Type 1



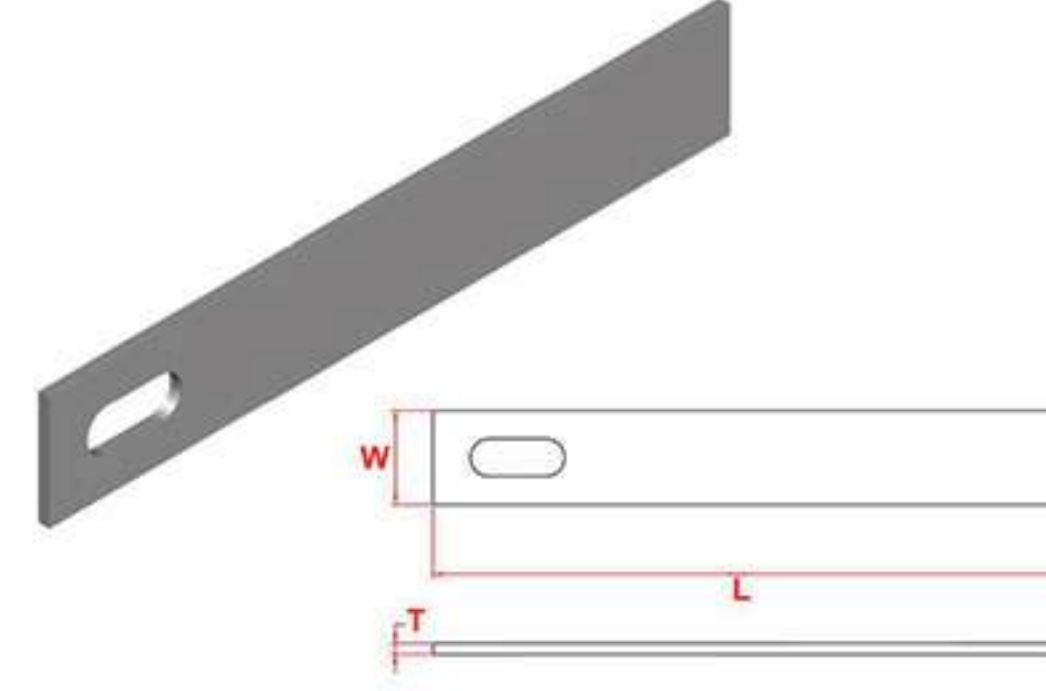
| Ürün Kodu Product Code | T mm | L mm | W mm |
|---------------------------|---------|---------|---------|
| NM-YA-1 | 3-4-5 | 150 | 30 |
| NM-YA-2 | 3-4-5 | 200 | 30 |
| NM-YA-3 | 3-4-5 | 250 | 30 |
| NM-YA-4 | 3-4-5 | 300 | 30 |
| NM-YA-5 | 3-4-5 | 350 | 30 |

Leaf Anchor Type 2



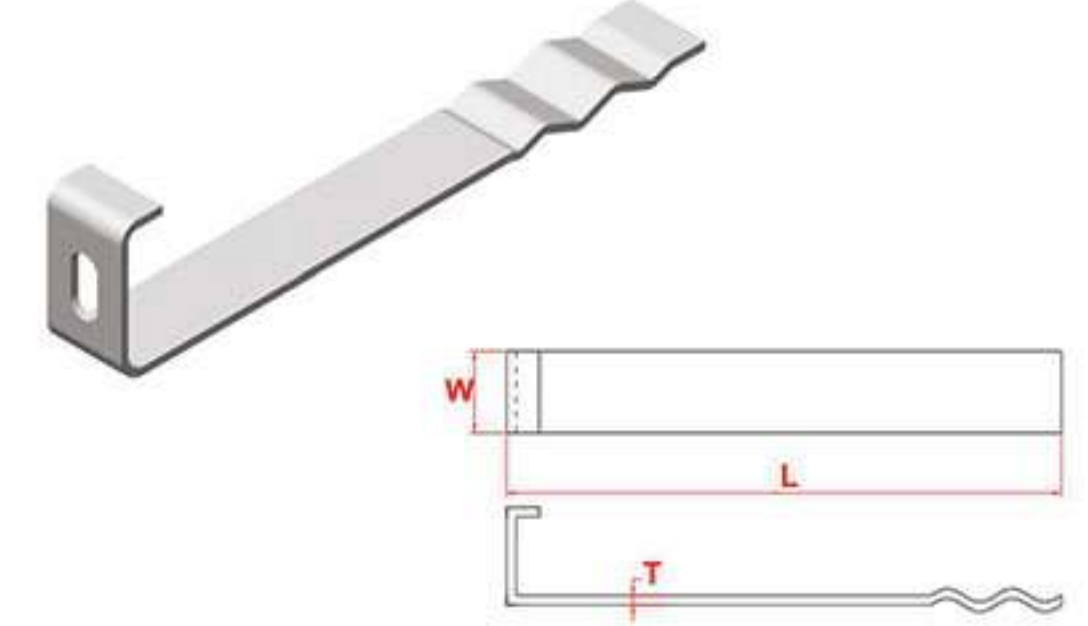
| Ürün Kodu Product Code | T mm | L mm | W mm |
|---------------------------|---------|---------|---------|
| NM-YA-6 | 3-4-5 | 150 | 30 |
| NM-YA-7 | 3-4-5 | 200 | 30 |
| NM-YA-8 | 3-4-5 | 250 | 30 |
| NM-YA-9 | 3-4-5 | 300 | 30 |
| NM-YA-10 | 3-4-5 | 350 | 30 |

Leaf Anchor Type 5



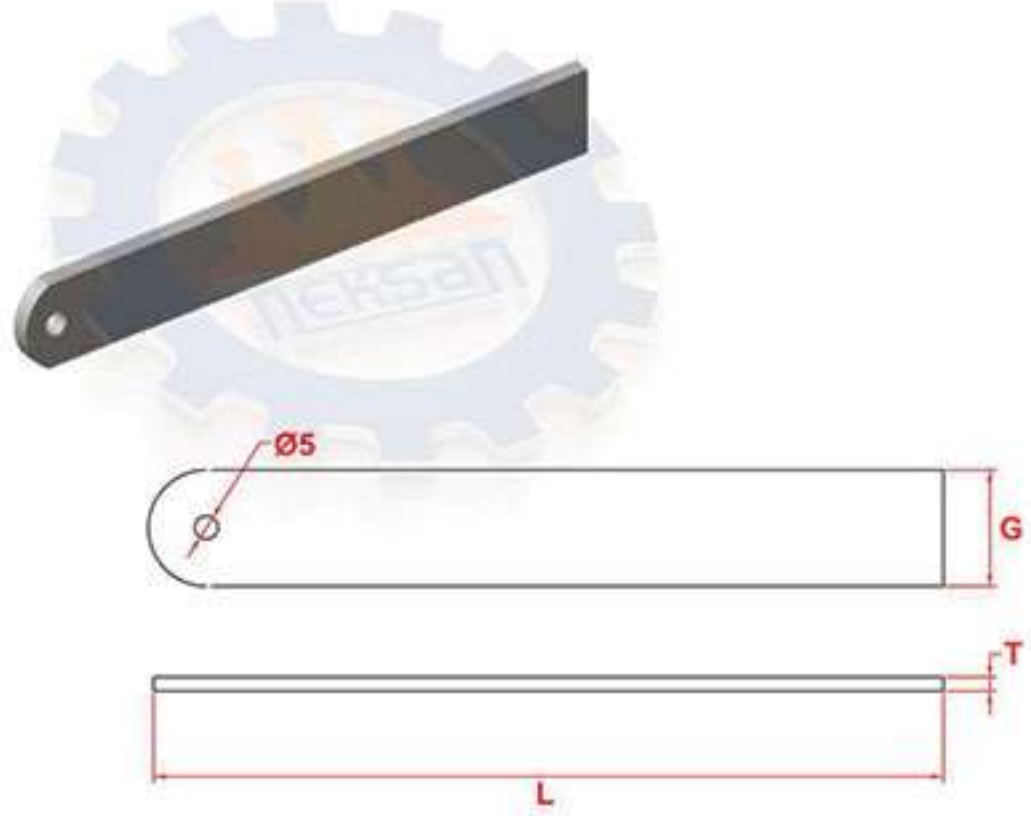
| Ürün Kodu Product Code | T mm | L mm | W mm |
|---------------------------|---------|---------|---------|
| NM-YA-21 | 3-4-5 | 150 | 30 |
| NM-YA-22 | 3-4-5 | 200 | 30 |
| NM-YA-23 | 3-4-5 | 250 | 30 |
| NM-YA-24 | 3-4-5 | 300 | 30 |
| NM-YA-25 | 3-4-5 | 350 | 30 |

Leaf Anchor Type 6



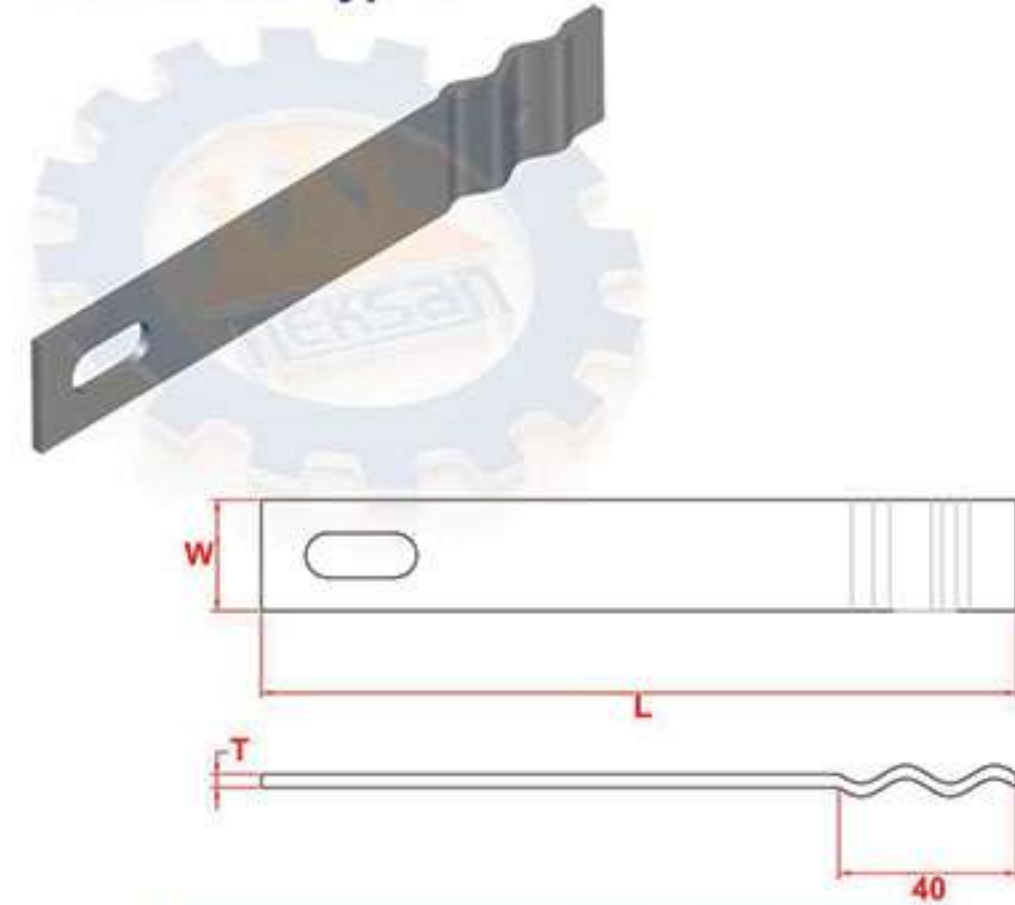
| Ürün Kodu Product Code | T mm | L mm | W mm |
|---------------------------|---------|---------|---------|
| NM-YA-26 | 3-4-5 | 150 | 30 |
| NM-YA-27 | 3-4-5 | 200 | 30 |
| NM-YA-28 | 3-4-5 | 250 | 30 |
| NM-YA-29 | 3-4-5 | 300 | 30 |
| NM-YA-30 | 3-4-5 | 350 | 30 |

Leaf Anchor Type 3



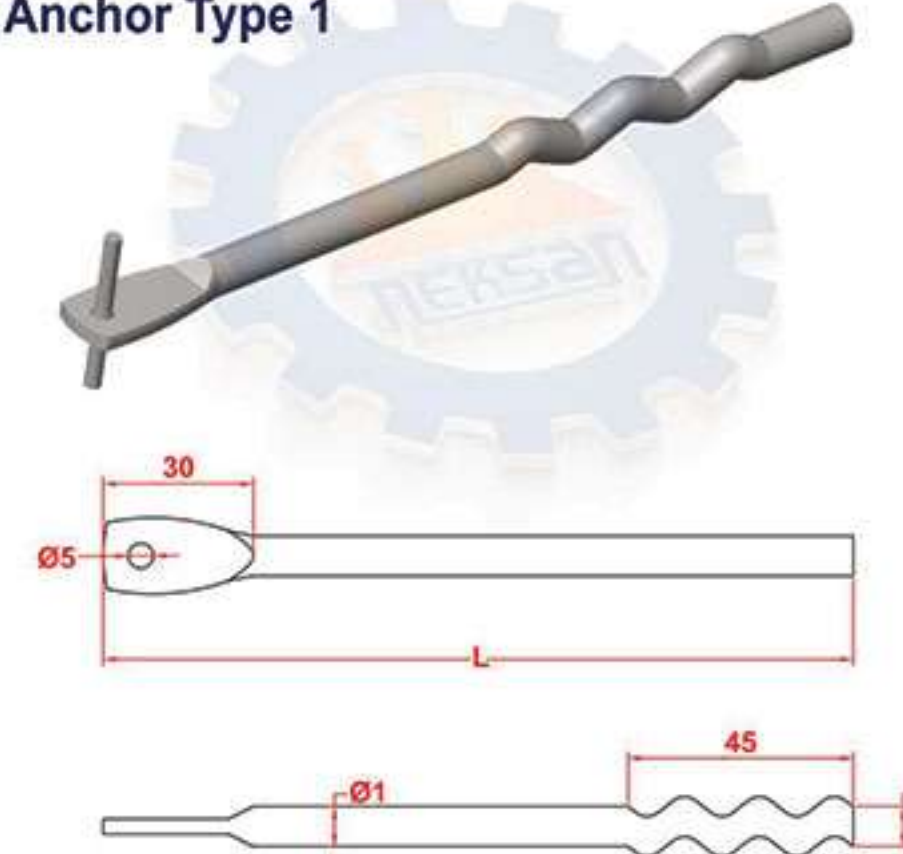
| Ürün Kodu Product Code | T mm | L mm | W mm |
|---------------------------|---------|---------|---------|
| NM-YA-11 | 3-4-5 | 150 | 30 |
| NM-YA-12 | 3-4-5 | 200 | 30 |
| NM-YA-13 | 3-4-5 | 250 | 30 |
| NM-YA-14 | 3-4-5 | 300 | 30 |
| NM-YA-15 | 3-4-5 | 350 | 30 |

Leaf Anchor Type 4



| Ürün Kodu Product Code | T mm | L mm | W mm |
|---------------------------|---------|---------|---------|
| NM-YA-16 | 3-4-5 | 150 | 30 |
| NM-YA-17 | 3-4-5 | 200 | 30 |
| NM-YA-18 | 3-4-5 | 250 | 30 |
| NM-YA-19 | 3-4-5 | 300 | 30 |
| NM-YA-20 | 3-4-5 | 350 | 30 |

Wire Anchor Type 1



| Ürün Kodu Product Code | Ø mm | L mm |
|---------------------------|---------|---------|
| NM-TA-1 | 5 | 150 |
| NM-TA-2 | 5 | 170 |
| NM-TA-3 | 6 | 200 |
| NM-TA-4 | 6 | 220 |

Wire Anchor Type 2



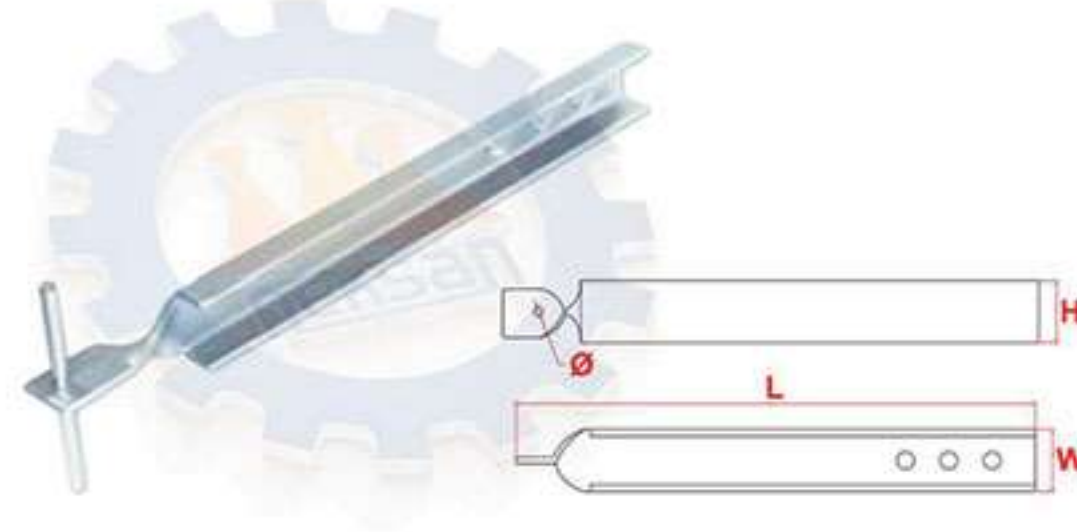
| Ürün Kodu Product Code | Ø mm | L mm |
|---------------------------|---------|---------|
| NM-TA-5 | 5 | 150 |
| NM-TA-6 | 5 | 170 |
| NM-TA-7 | 6 | 200 |
| NM-TA-8 | 6 | 220 |

Bearing Anchor Type 1



| Ürün Kodu Product Code | T mm | L mm | W mm | H mm |
|---------------------------|---------|---------|---------|---------|
| NM-BAT-01 | 3-4 | 200 | 35 | 30 |
| NM-BAT-02 | 3-4 | 240 | 35 | 30 |
| NM-BAT-03 | 3-4 | 280 | 35 | 30 |
| NM-BAT-04 | 3-4 | 320 | 35 | 30 |
| NM-BAT-05 | 3-4 | 360 | 35 | 30 |

Bearing Anchor Type 2



| Ürün Kodu Product Code | T mm | L mm | W mm | H mm |
|---------------------------|---------|---------|---------|---------|
| NM-BAT-06 | 4 | 200 | 35 | 30 |
| NM-BAT-07 | 4 | 240 | 35 | 30 |
| NM-BAT-08 | 4 | 280 | 35 | 30 |
| NM-BAT-09 | 4 | 320 | 35 | 30 |
| NM-BAT-10 | 4 | 360 | 35 | 30 |

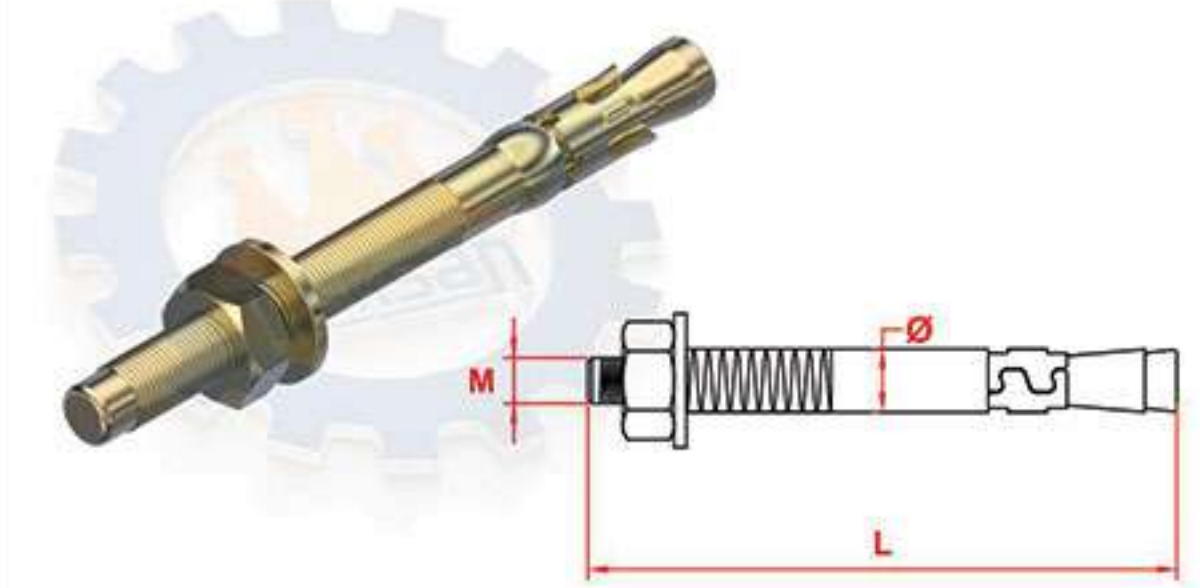
Sleeve Anchor Bolt



Can be used in both heavy and medium load as well as low densed concrete. Provide squick, easy and practical assembly. Can easily be dilated in short an chorage holesand low force. Has the characteristic of tighteningand holding safely through its sleeve type. Can be used with chemical adhesives. Produced from Electro Galvanized.

| Ürün Kodu Product Code | Ø mm | L mm | M metric |
|---------------------------|---------|---------|-------------|
| NM-GD-8 | 10 | 75 | 8 |
| NM-GD-10 | 12 | 85 | 10 |
| NM-GD-10 | 12 | 110 | 10 |

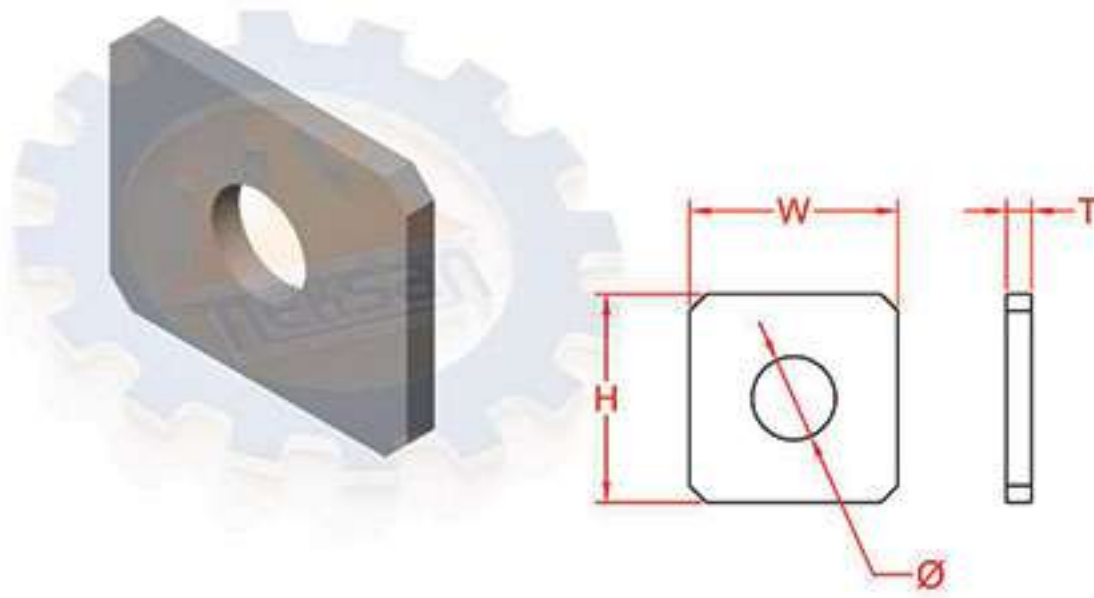
Steel Dowel



Provides easy and quick assembly. Used in assemblies of shelves, brackets, etc. Without any other fixing elements. The Drill diameter is equal to the Anchor Diameter. Mono and Double Clips are available. Also available in Electro Galvanized and 304 Quality Stainless Steel (INOX).

| Ürün Kodu Product Code | Ø mm | L mm | M metric |
|---------------------------|---------|---------|-------------|
| NM-KD-8 | 9 | 80 | 8 |
| NM-KD-10 | 11 | 90 | 10 |
| NM-KD-12 | 13 | 100 | 12 |

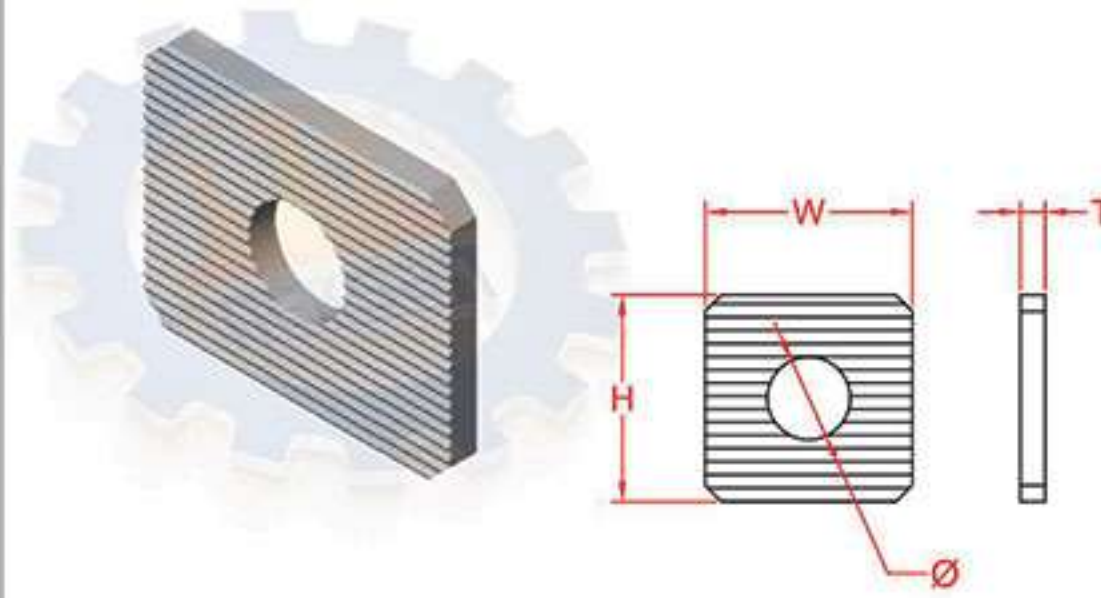
Plain Washers



| Ürün Kodu Product Code | T mm | H mm | W mm | Ø mm |
|---------------------------|---------|---------|---------|---------|
| NM-PUL-1 | 2,5 | 22 | 30 | 7 |
| NM-PUL-2 | 2,5 | 22 | 30 | 9 |
| NM-PUL-3 | 3 | 26 | 34 | 11 |
| NM-PUL-4 | 3 | 26 | 34 | 13 |

Plain was her sare accessories used with anchors.

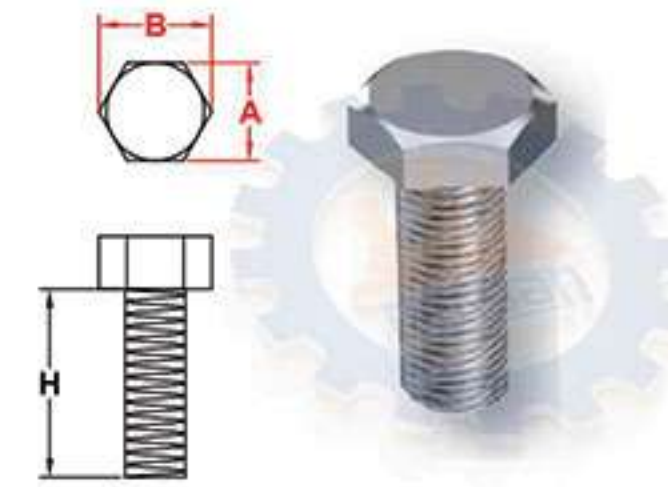
Serrated Washers



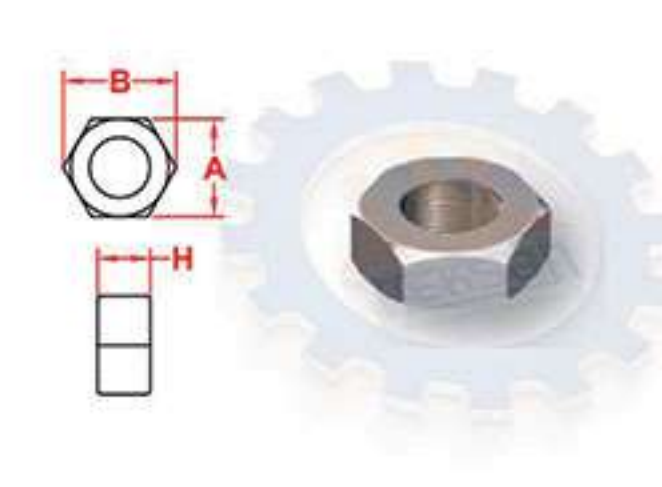
| Ürün Kodu Product Code | T mm | H mm | W mm | Ø mm |
|---------------------------|---------|---------|---------|---------|
| NM-PUL-5 | 2,5 | 22 | 30 | 7 |
| NM-PUL-6 | 2,5 | 22 | 30 | 9 |
| NM-PUL-7 | 3 | 26 | 34 | 11 |
| NM-PUL-8 | 3 | 26 | 34 | 13 |

Serrated washer sare accessories used with anchors.

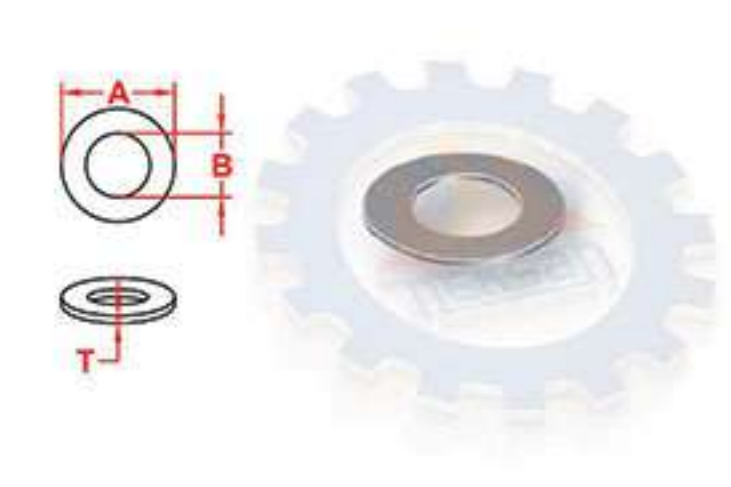
Bolt



Nut



Washer



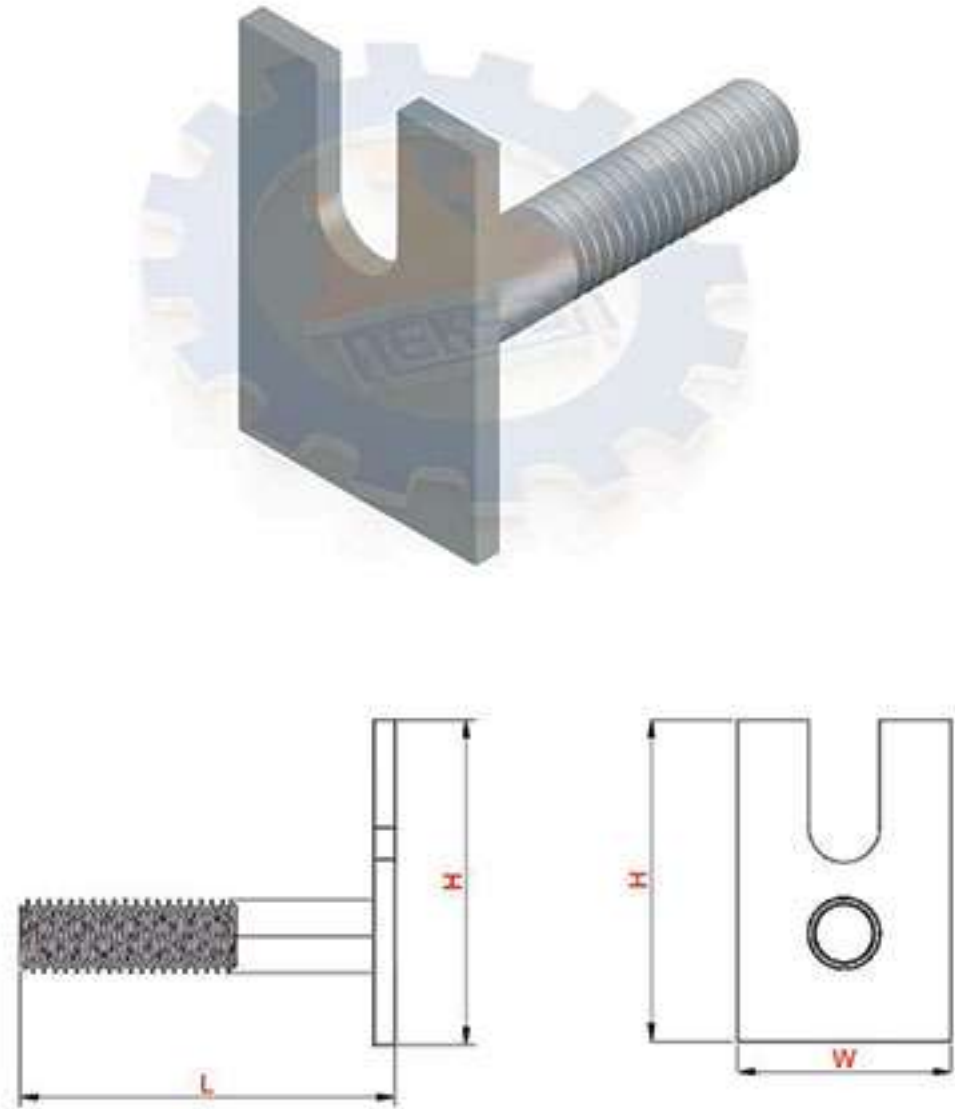
An chors are one of the most preferred fitting element used in exterior construction of the buildings as they can easily be monted on the wall. Produced from 304 Quality Stainless Steel (INOX) If requested Electro Galvanized steel can also be produced. If requested different type and sizes can also be produced.

| Ürün Kodu Product Code | A mm | B mm | H mm |
|---------------------------|---------|---------|---------|
| NM-C-8 | 13 | 15 | 25 |
| NM-C-10 | 17 | 19 | 25 |

| Ürün Kodu Product Code | A mm | B mm | H mm |
|---------------------------|---------|---------|---------|
| NM-SM-8 | 13 | 15 | 6,5 |
| NM-SM-10 | 17 | 19 | 6,5 |

| Ürün Kodu Product Code | A mm | B mm | H mm |
|---------------------------|---------|---------|---------|
| NM-P-8 | 15 | 9 | 25 |
| NM-P-10 | 19 | 11 | 25 |

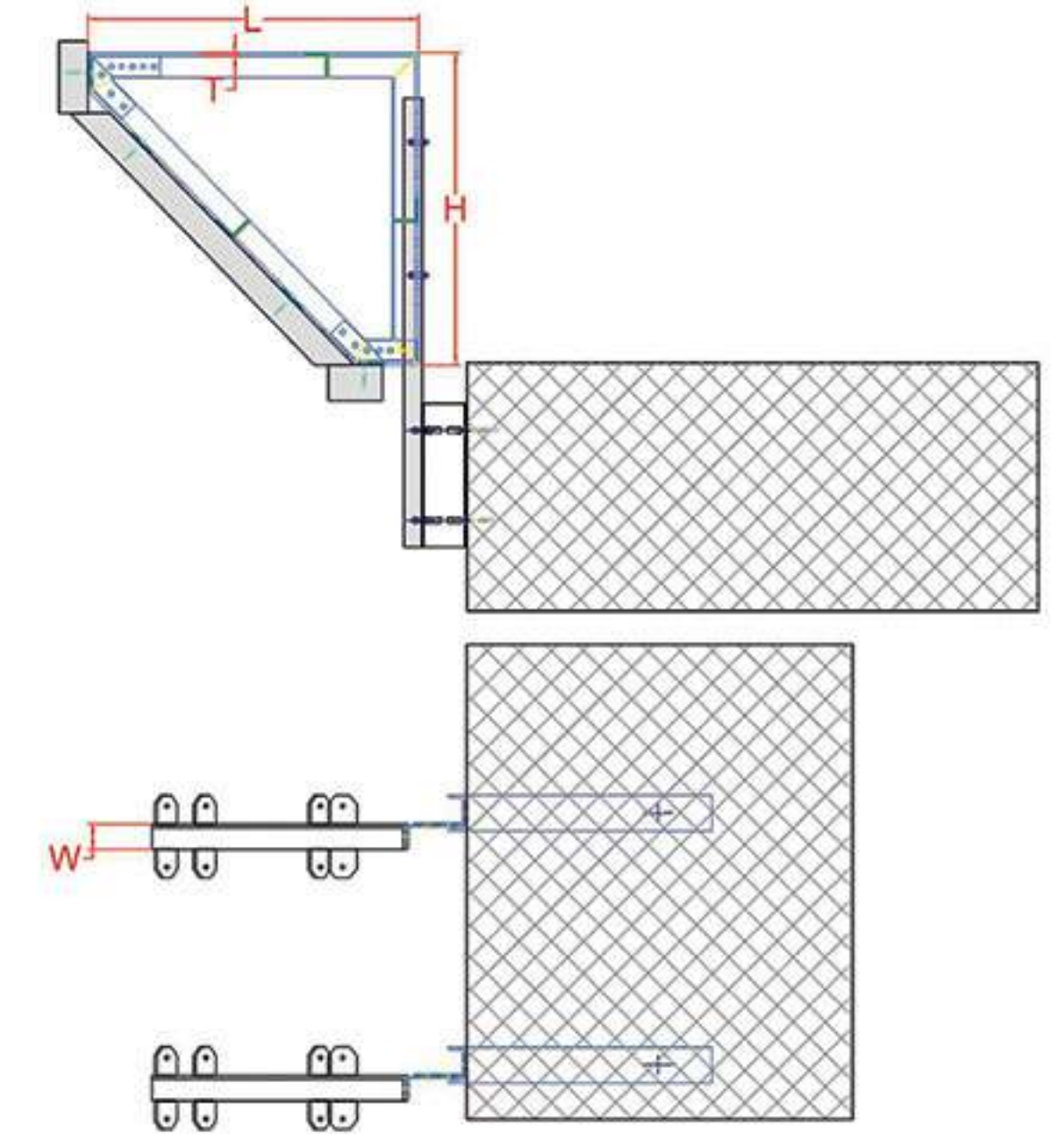
Undercut Dowel Anchor



Undercut Dowel 1



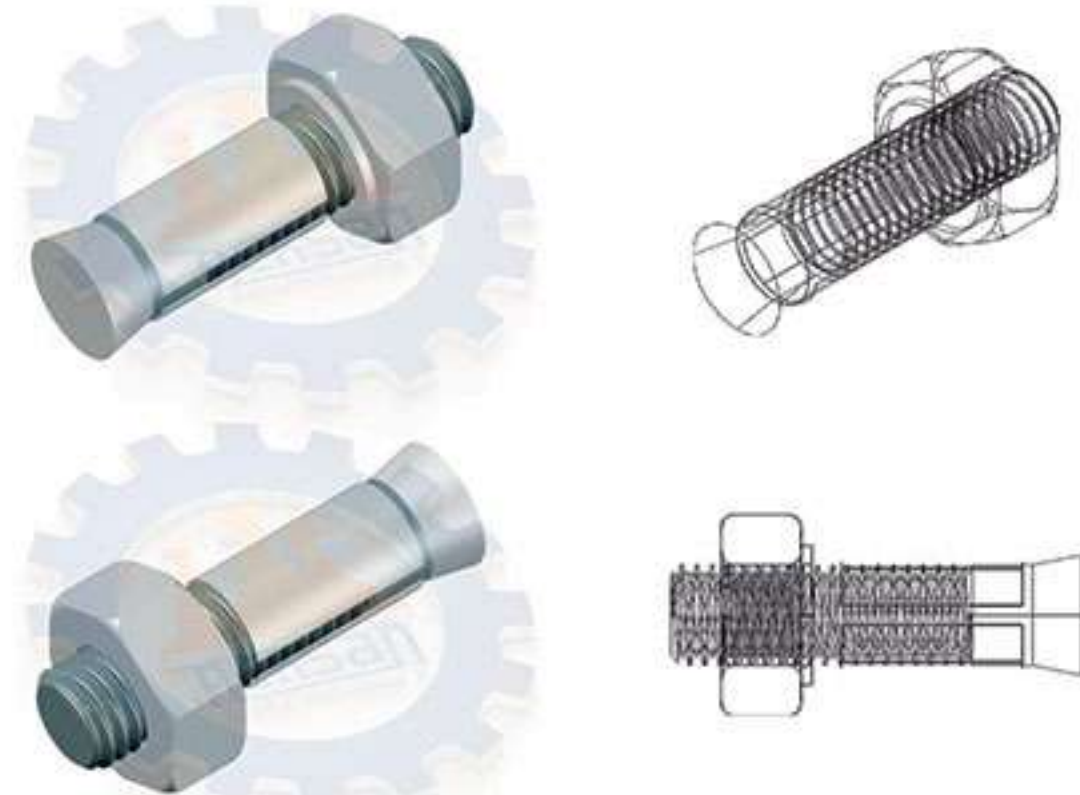
Triangle Anchor Type 1



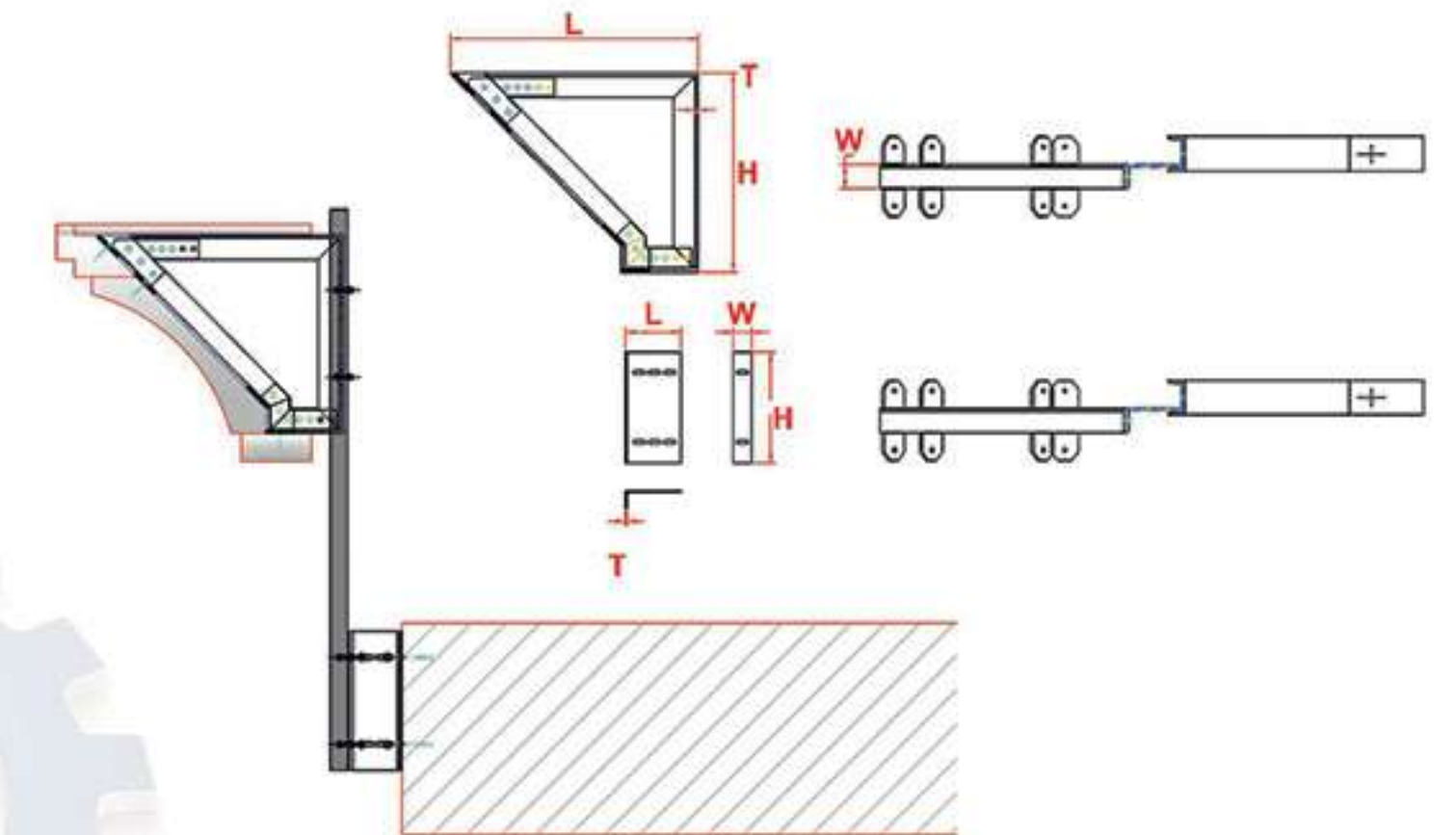
Screw



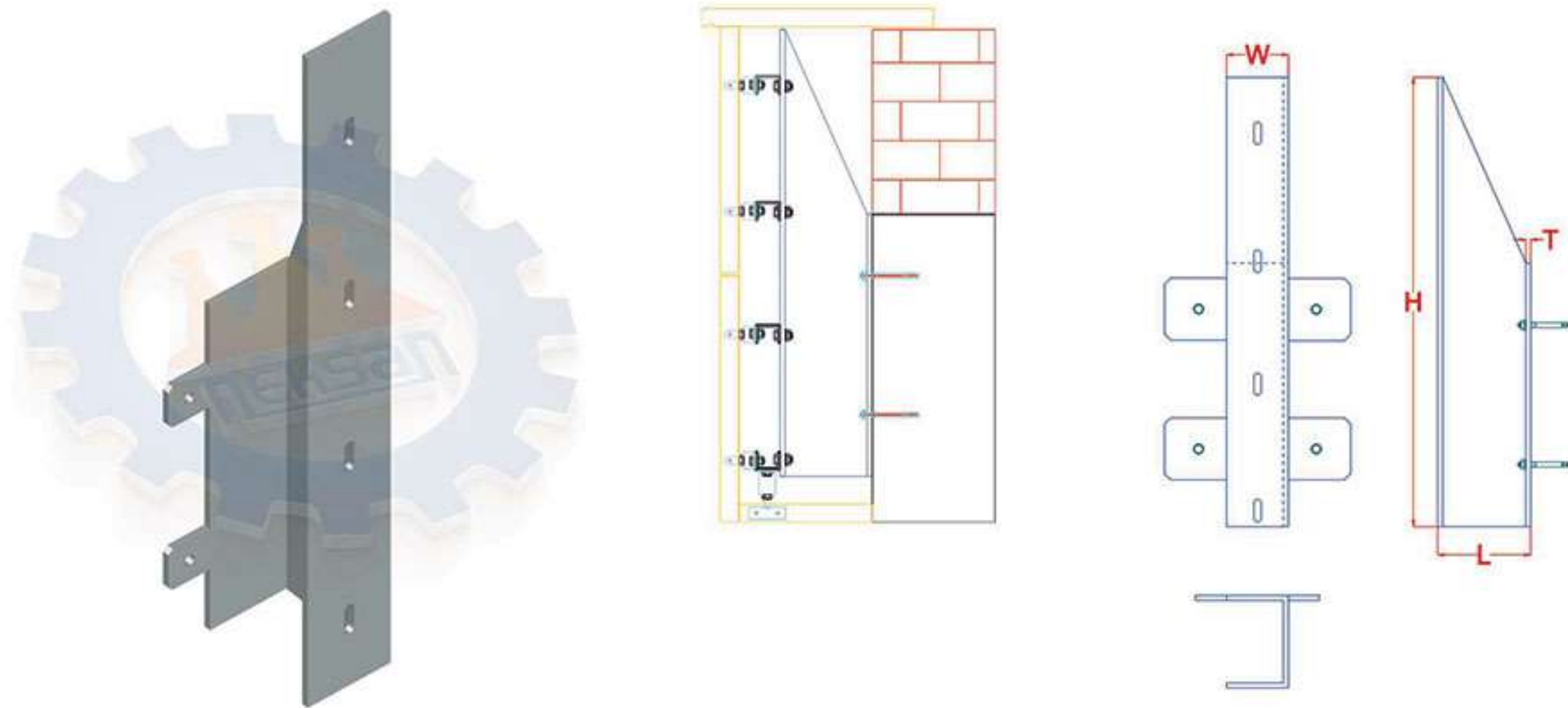
Undercut Dowel Type 2



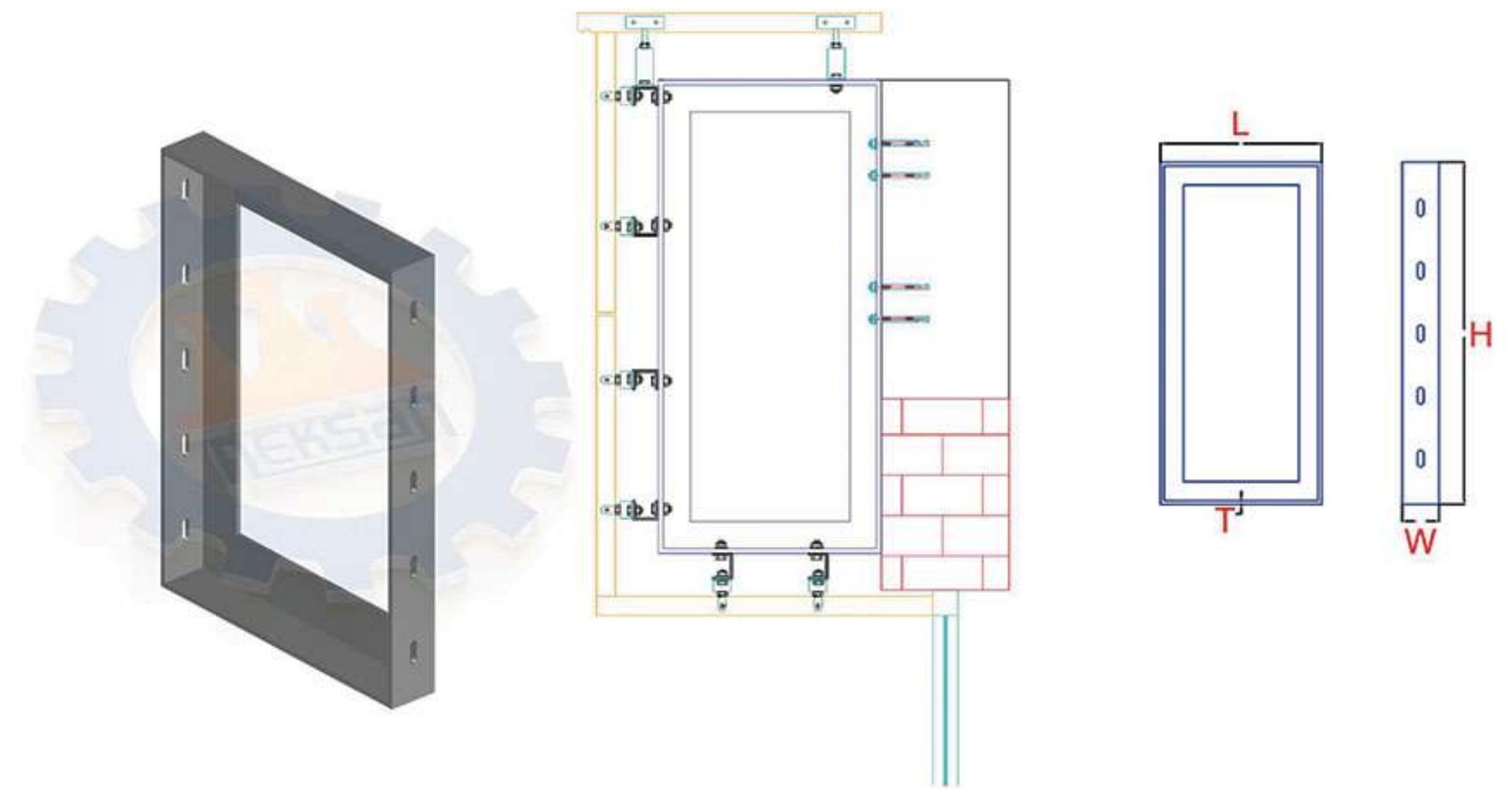
Triangle Anchor Type 2



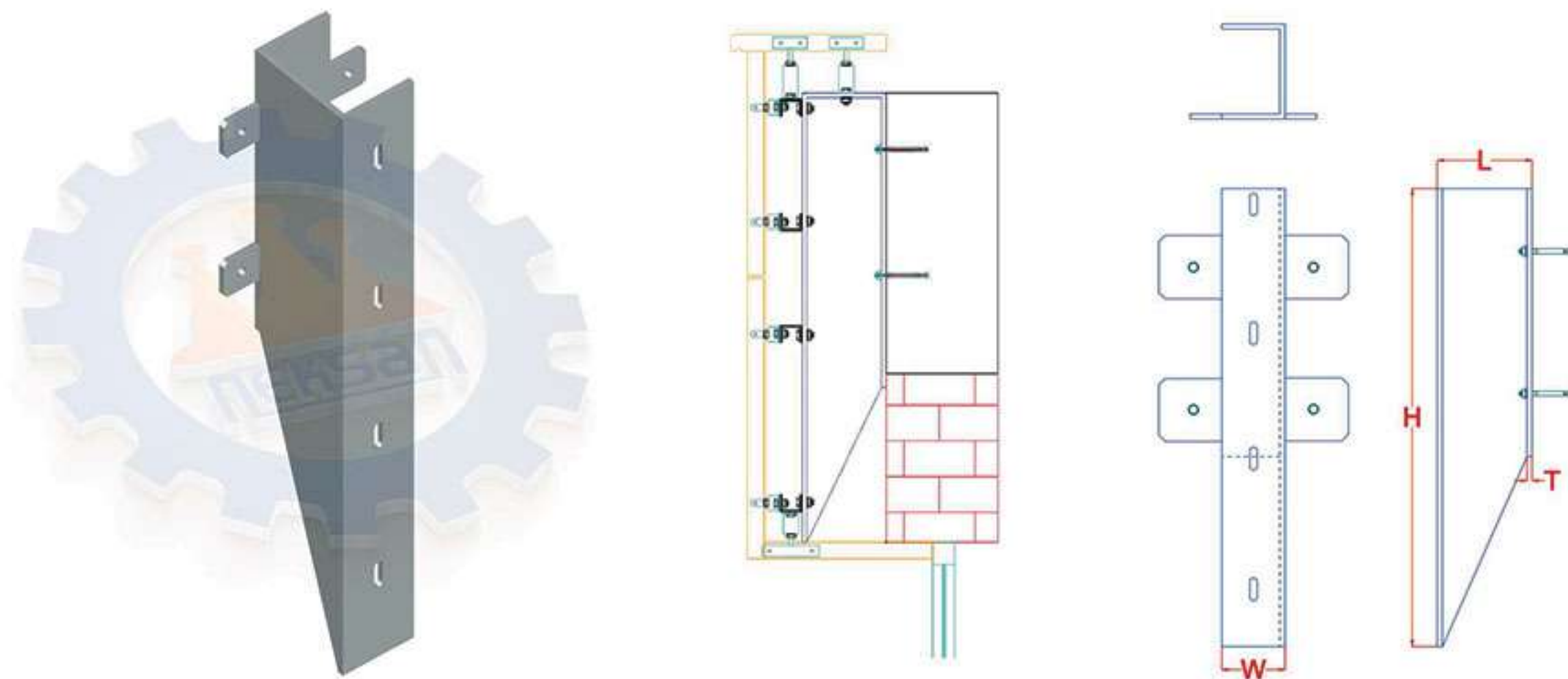
Beam Anchorage Type 1



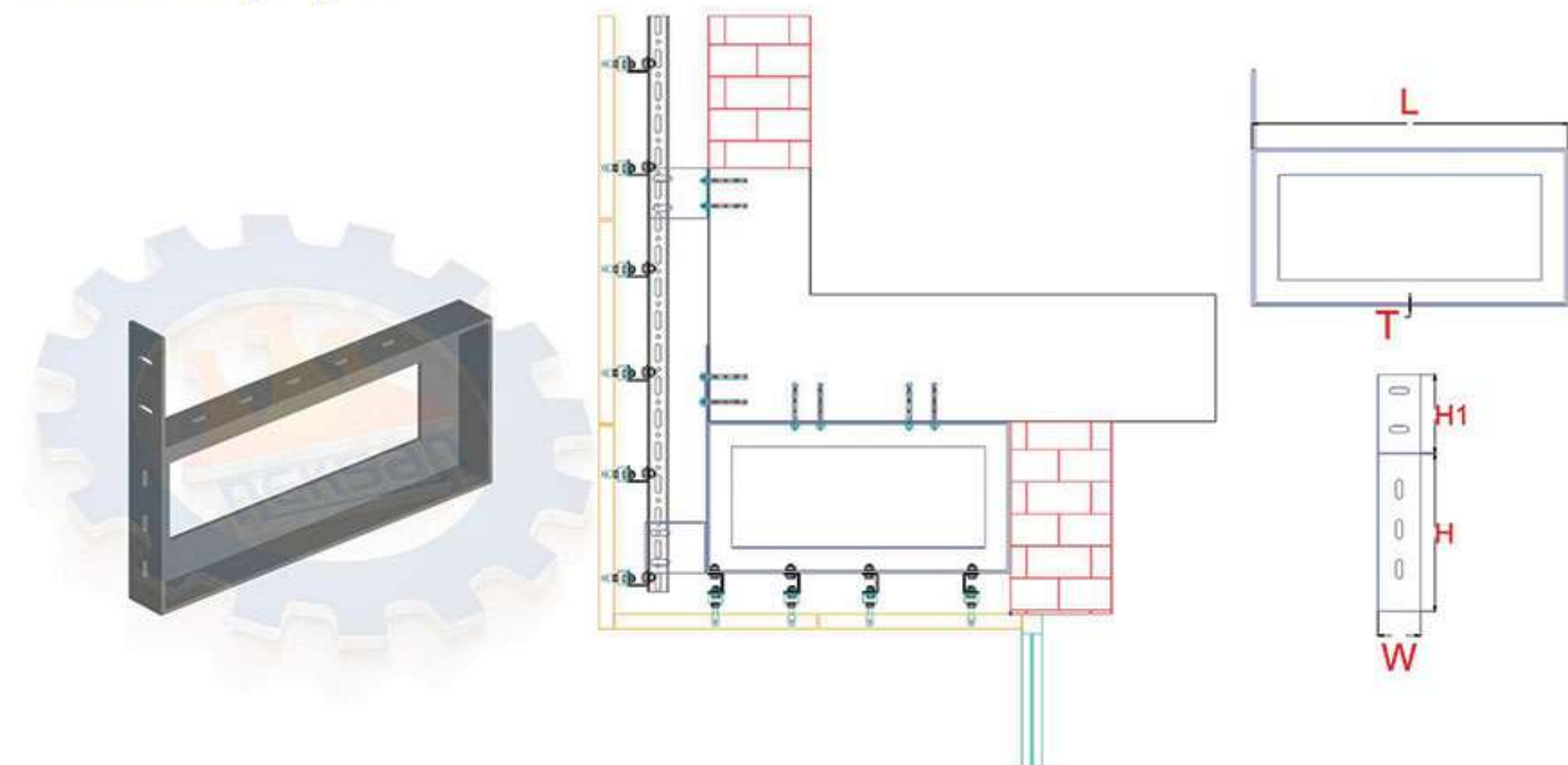
Beam Anchorage Type 3



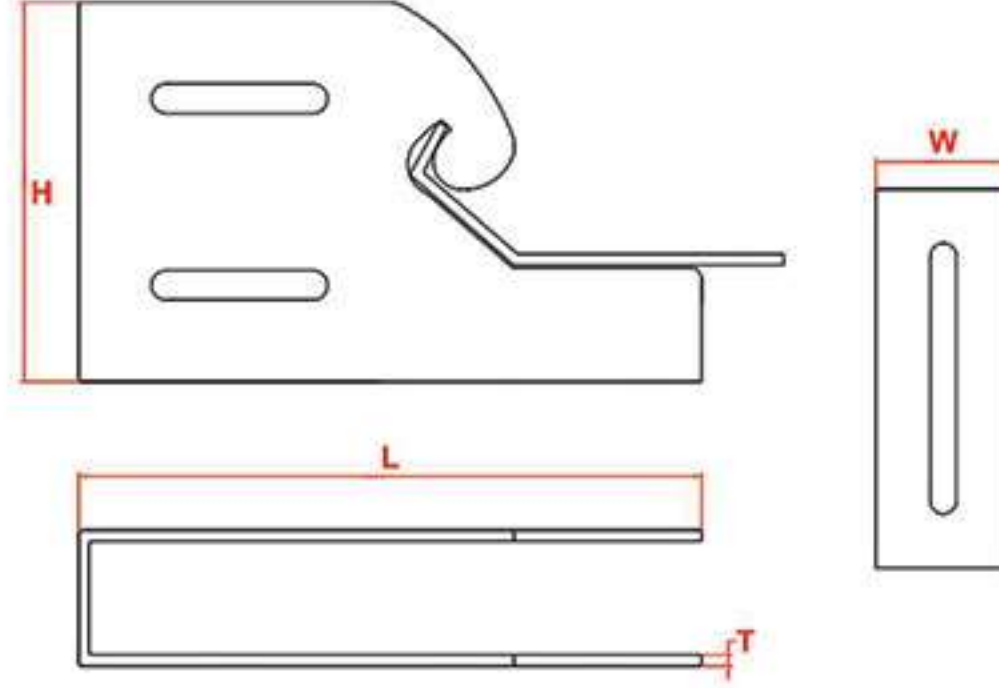
Beam Anchorage Type 2



Beam Anchorage Type 4



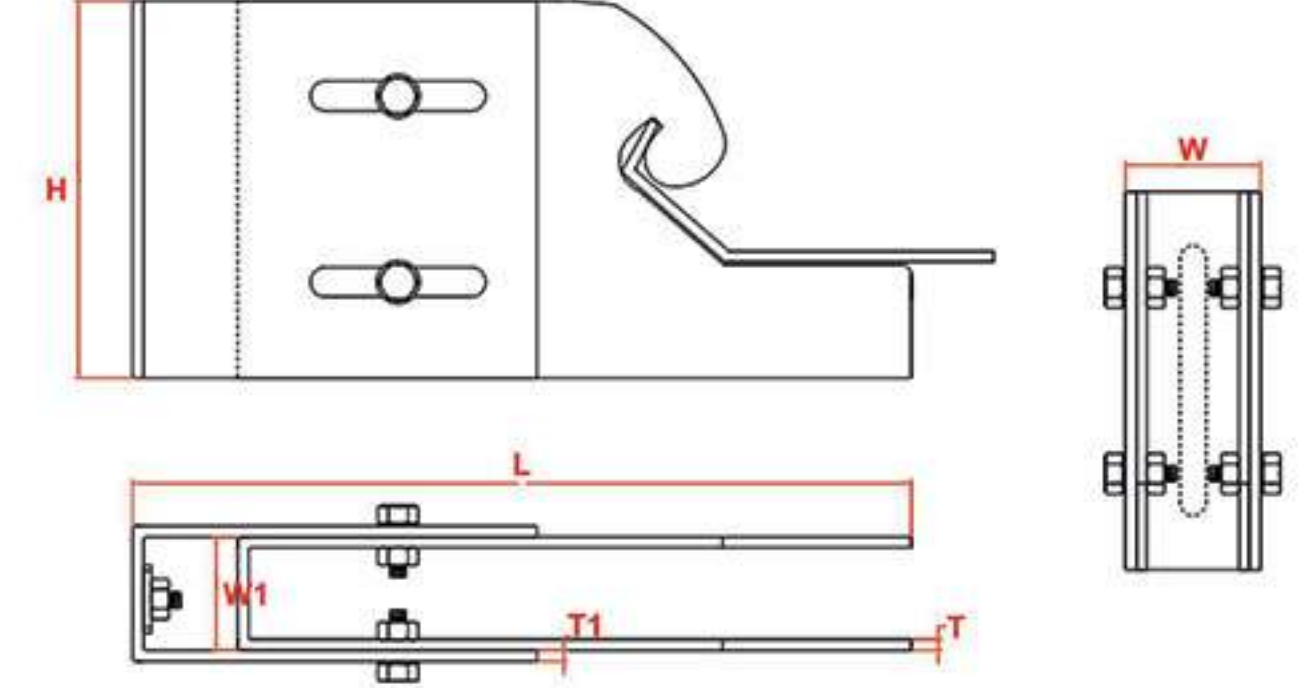
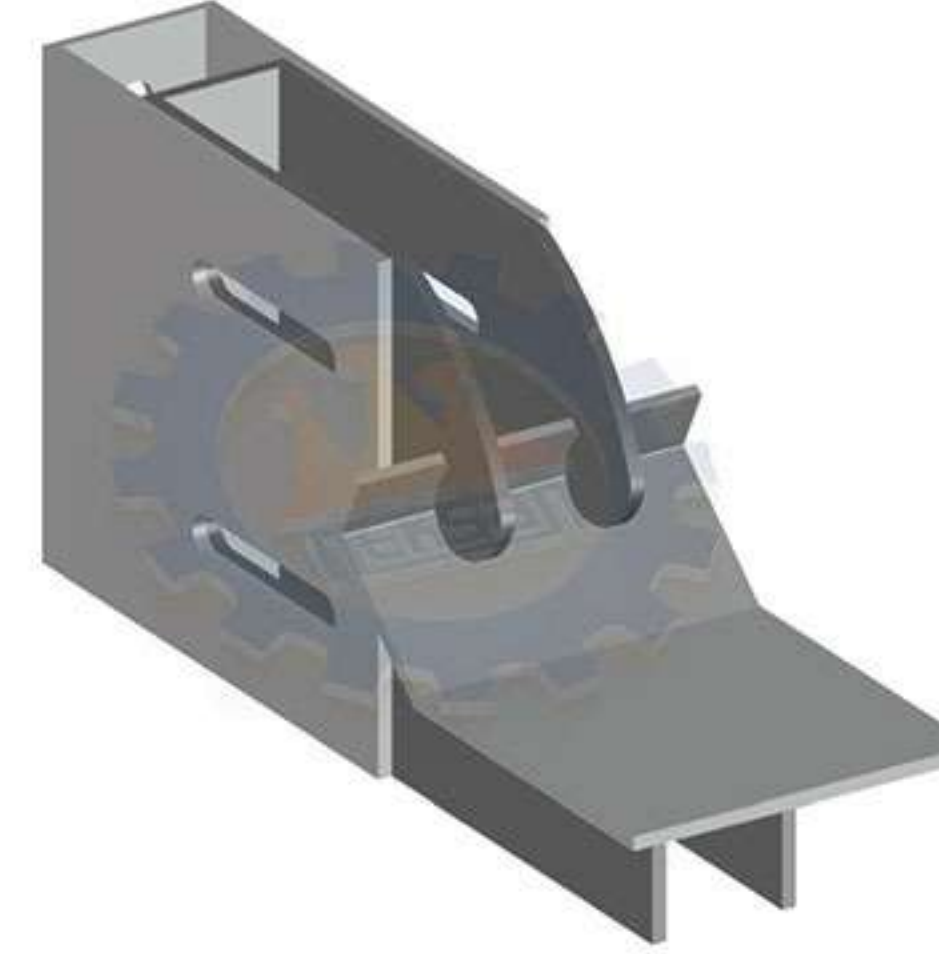
Brick Anchorage Type 1



| Ürün Kodu Product Code | T mm | L mm | W mm | H mm |
|---------------------------|---------|---------|---------|---------|
| NM-TS-1 | 4 | 200 | 50 | 120 |
| NM-TS-2 | 4 | 225 | 50 | 120 |
| NM-TS-3 | 4 | 250 | 50 | 120 |
| NM-TS-4 | 5 | 275 | 60 | 150 |
| NM-TS-5 | 5 | 300 | 60 | 150 |
| NM-TS-6 | 5 | 325 | 60 | 150 |

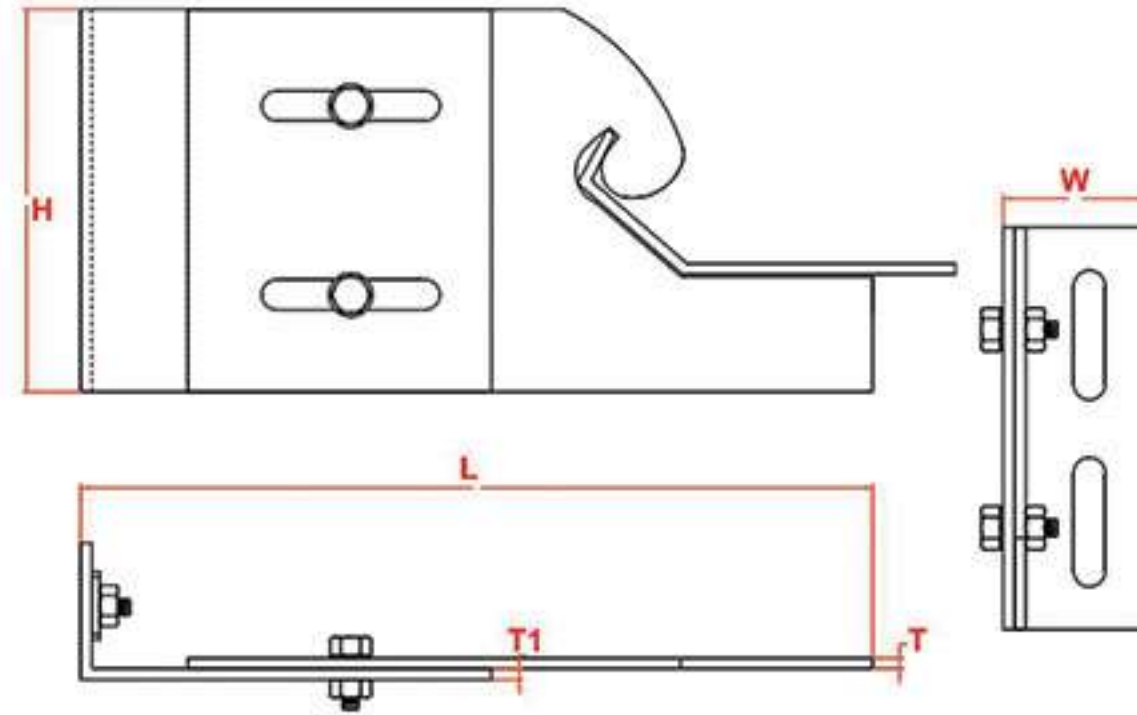


Brick Anchorage Type 3



| Ürün Kodu Product Code | T/T1 mm | L mm | W/W1 mm | H mm |
|---------------------------|------------|---------|------------|---------|
| NM-TU-1 | 4/4 | 250 | 50/40 | 120 |
| NM-TU-2 | 4/4 | 275 | 50/40 | 120 |
| NM-TU-3 | 4/4 | 300 | 50/40 | 120 |
| NM-TU-4 | 5/5 | 325 | 60/50 | 150 |
| NM-TU-5 | 5/5 | 350 | 60/50 | 150 |
| NM-TU-6 | 5/5 | 400 | 60/50 | 150 |

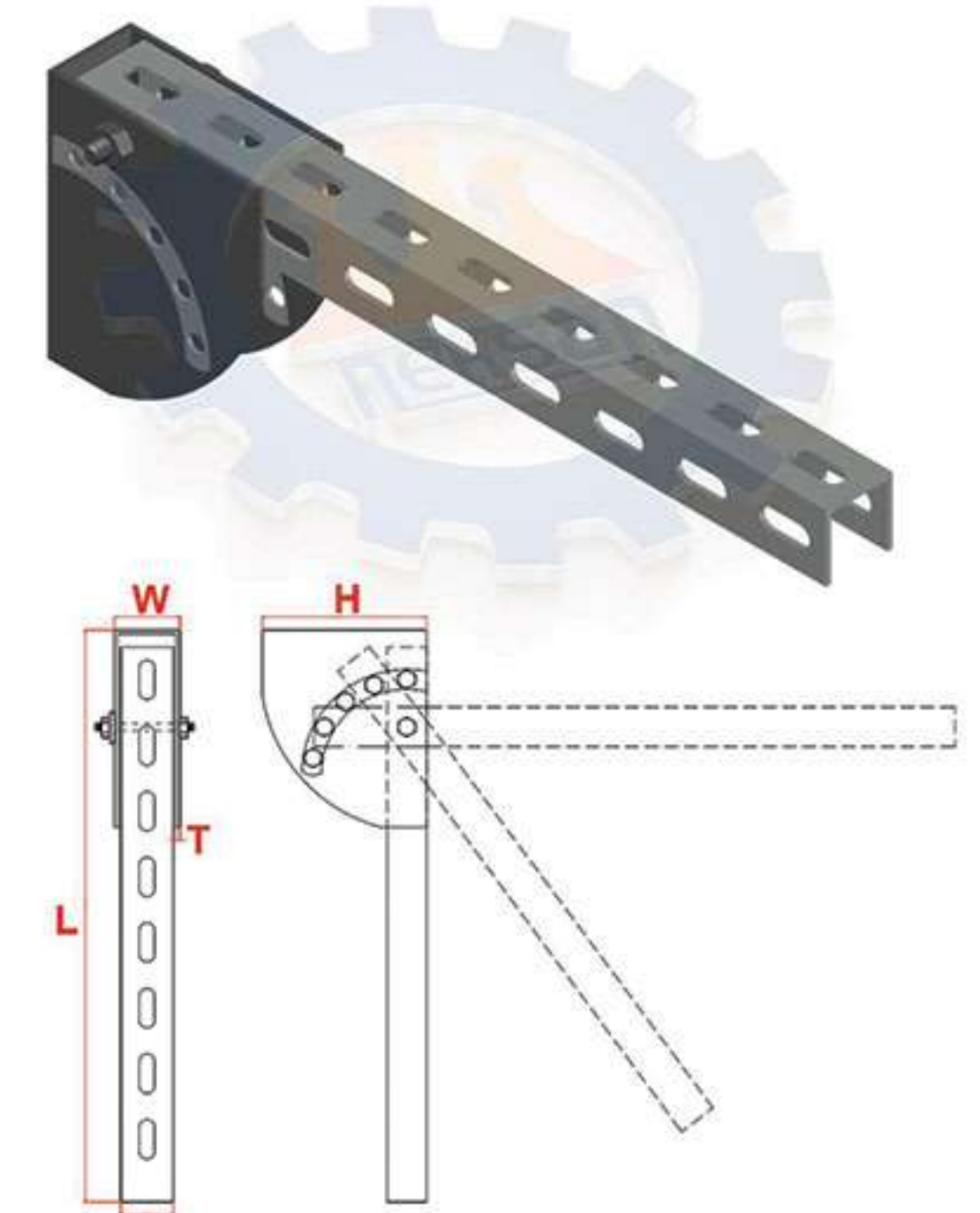
Brick Anchorage Type 2



| Ürün Kodu Product Code | T/T1 mm | L mm | W mm | H mm |
|---------------------------|------------|---------|---------|---------|
| NM-TL-1 | 4/4 | 250 | 50 | 120 |
| NM-TL-2 | 4/4 | 275 | 50 | 120 |
| NM-TL-3 | 4/4 | 300 | 50 | 120 |
| NM-TL-4 | 5/5 | 325 | 60 | 150 |
| NM-TL-5 | 5/5 | 350 | 60 | 150 |
| NM-TL-6 | 5/5 | 400 | 60 | 150 |



Adjustable Surface Anchor



Marble & Stone Adhesive



Marble and stone is a high strength adhesive compound. It can be used for bonding every kind of marble, stone, granite, tile lime stone, etc. and for combining broken and damaged to all stones. Materials to be bonded should be dry, free of grease and dust. For every 100 gr. of add 2-3 gr. Hardener amalgamate to main compound. Apply them the surfaces to be combined. The mixture will dry between 4-7 minutes according to the environment temperature. 30 minutes after the application, the mixture cures. The compound can be easily cleaned with acetone before curing time. Mechanical cleaning is required after curing.

| Ürün Kodu Product Code | Ağırlık / Weight kg |
|---------------------------|------------------------|
| NM-AKM-1 | 1 |
| NM-AKM-2 | 5 |
| NM-AKM-3 | 10 |
| NM-AKM-4 | 25 |
| NM-AKM-5 | 30 |

Ürün Kodu / Product Code NM - SRF-1



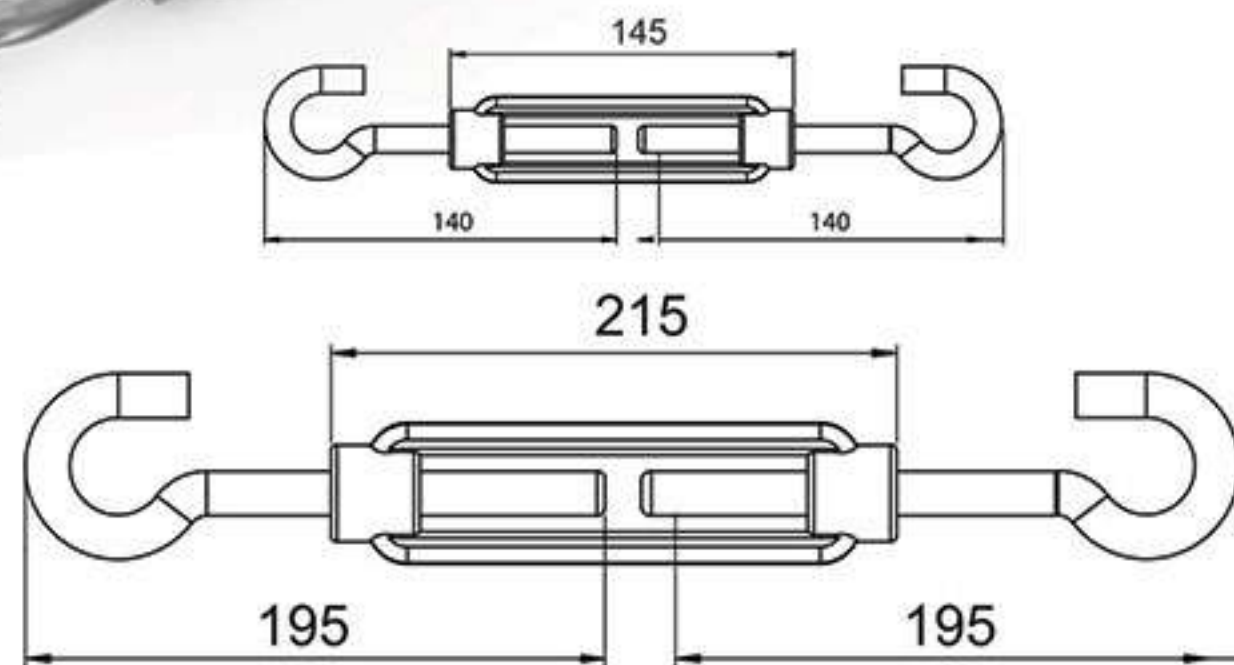
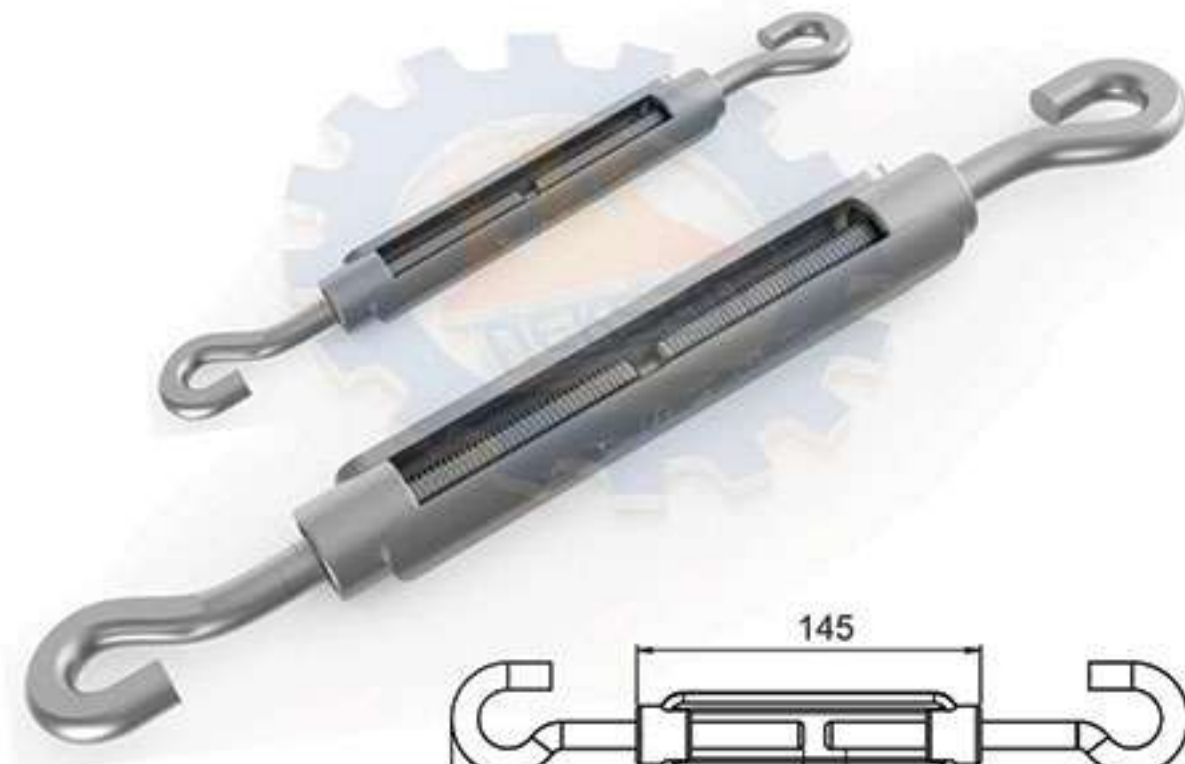
Ürün Kodu / Product Code NM - SRF-2



Ürün Kodu / Product Code NM - SRF-3



Stretcher Small 1/2 Stretcher Big 5/8



Ürün Kodu / Product Code NM - SRF-4



Ürün Kodu / Product Code NM - SRF-5



Ürün Kodu / Product Code NM - SRF-6



Ürün Kodu / Product Code NM - SRF-7



Ürün Kodu / Product Code NM - SRF-12



Ürün Kodu / Product Code NM - SRF-13



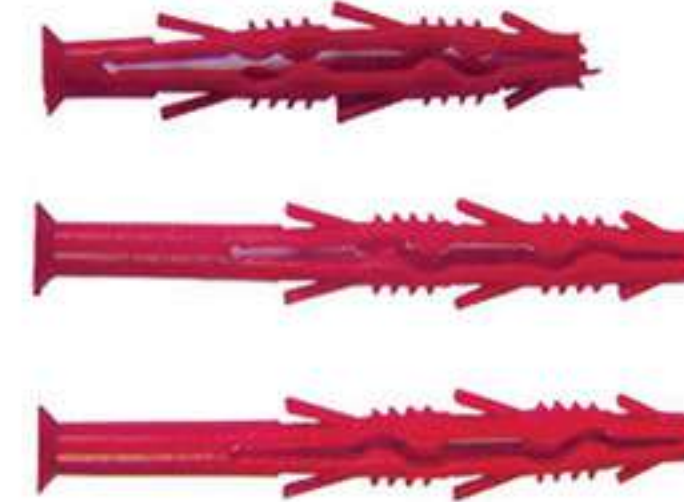
Ürün Kodu / Product Code NM - SRF-8



Ürün Kodu / Product Code NM - SRF-9



Ürün Kodu / Product Code NM - SRF-14



Ürün Kodu / Product Code NM - SRF-15



Ürün Kodu / Product Code NM - SRF-10



Ürün Kodu / Product Code NM - SRF-11



Ürün Kodu / Product Code NM - SRF-16



Ürün Kodu / Product Code NM - SRF-17



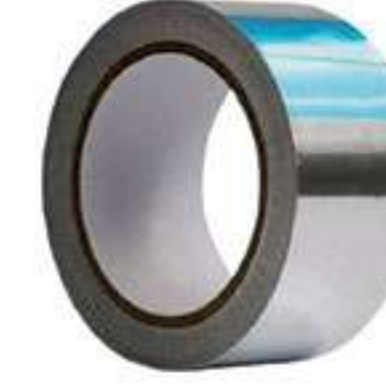
Ürün Kodu / Product Code NM - SRF-18



Ürün Kodu / Product Code NM - SRF-19



Ürün Kodu / Product Code NM - SRF-24



Ürün Kodu / Product Code NM - SRF-25



Ürün Kodu / Product Code NM - SRF-20



Ürün Kodu / Product Code NM - SRF-21



Ürün Kodu / Product Code NM - SRF-26



Ürün Kodu / Product Code NM - SRF-27



Ürün Kodu / Product Code NM - SRF-22



Ürün Kodu / Product Code NM - SRF-23



Ürün Kodu / Product Code NM - SRF-28



Ürün Kodu / Product Code NM - SRF-29



Ürün Kodu / Product Code NM - SRF-30



Ürün Kodu / Product Code NM - SRF-31



Sulu Kesim Testereleri NM - SRF-36



| Ürün Kodu Product Code | Çap mm | Soket Ölçüleri mm |
|---------------------------|-----------|----------------------|
| NM-BA-75 | 300 | 2.8x40x10/21 |
| NM-BA-76 | 300 | 2.8x40x15/21 |
| NM-BA-77 | 350 | 2.8x40x10/25 |
| NM-BA-78 | 350 | 2.8x40x15/25 |
| NM-BA-79 | 400 | 3.2x40x10/28 |
| NM-BA-80 | 400 | 3.2x40x15/28 |
| NM-BA-81 | 450 | 3.6x40x10/32 |
| NM-BA-82 | 500 | 3.6x40x10/36 |
| NM-BA-83 | 550 | 4.4x40x10/40 |
| NM-BA-84 | 600 | 4.4x40x10/42 |

Sulu Kesim Testereleri NM - SRF-37



| Ürün Kodu Product Code | Çap mm | Soket Ölçüleri mm |
|---------------------------|-----------|----------------------|
| NM-BA-85 | 300 | 2.8x40x8/21 |
| NM-BA-86 | 350 | 3.2x40x8/25 |
| NM-BA-87 | 400 | 3.6x40x8/28 |
| NM-BA-88 | 450 | 4.4x40x8/32 |
| NM-BA-89 | 500 | 4.5x40x8/36 |
| NM-BA-90 | 550 | 5.0x40x8/40 |
| NM-BA-90 | 600 | 5.0x40x8/42 |

Ürün Kodu / Product Code NM - SRF-32



Ürün Kodu / Product Code NM - SRF-33



Kuru Kesim Testereleri NM - SRF-38



| Ürün Kodu Product Code | Çap mm | Soket Ölçüleri mm |
|---------------------------|-----------|----------------------|
| NM-BA-91 | 125 | 6.4x8W |
| NM-BA-92 | 150 | 6.4x8W |
| NM-BA-93 | 180 | 12.8xTW |

Seramik Kesim Testereleri NM - SRF-39



| Ürün Kodu Product Code | Çap mm | Soket Ölçüleri mm |
|---------------------------|-----------|----------------------|
| NM-BA-94 | 300 | 2.4x40x21 |
| NM-BA-95 | 350 | 2.8x40x25 |
| NM-BA-96 | 400 | 3.2x40x28 |

Ürün Kodu / Product Code NM - SRF-34



Ürün Kodu / Product Code NM - SRF-35



Seramik Kesim Testereleri NM - SRF-40



| Ürün Kodu Product Code | Çap mm | Soket Kalınlığı mm | Gövde Kalınlığı mm |
|---------------------------|-----------|-----------------------|-----------------------|
| NM-BA-97 | 250 | 1.6/2.0 | 1.2/1.7 |
| NM-BA-98 | 300 | 2.0/2.2/2.4 | 1.8/2.0 |
| NM-BA-99 | 350 | 2.0/2.2/2.4 | 1.4/1.6/1.8 |

Ürün Kodu / Product Code NM - SRF-41



| Ürün Kodu Product Code | Çap mm | Soket Kalınlığı mm | Gövde Kalınlığı mm |
|---------------------------|-----------|-----------------------|-----------------------|
| NM-BA-100 | 250 | 1.6/2.0 | 1.2/1.7 |
| NM-BA-101 | 300 | 2.0/2.2/2.4 | 1.8/2.0 |
| NM-BA-102 | 350 | 2.0/2.2/2.4 | 1.4/1.6/1.8 |

Ürün Kodu / Product Code NM - SRF-42



| Ürün Kodu Product Code | Çap mm |
|---------------------------|-----------|
| NM-BA-103 | 100 M14 |
| NM-BA-104 | 100 M14 |
| NM-BA-105 | 100 M14 |

Ürün Kodu / Product Code NM - SRF-43



| Ürün Kodu Product Code | Çap mm |
|---------------------------|-----------|
| NM-BA-106 | 100 M14 |
| NM-BA-107 | 100 M14 |
| NM-BA-108 | 100 M14 |

MACHINES



Ürün Kodu / Product Code NM - SRF-44

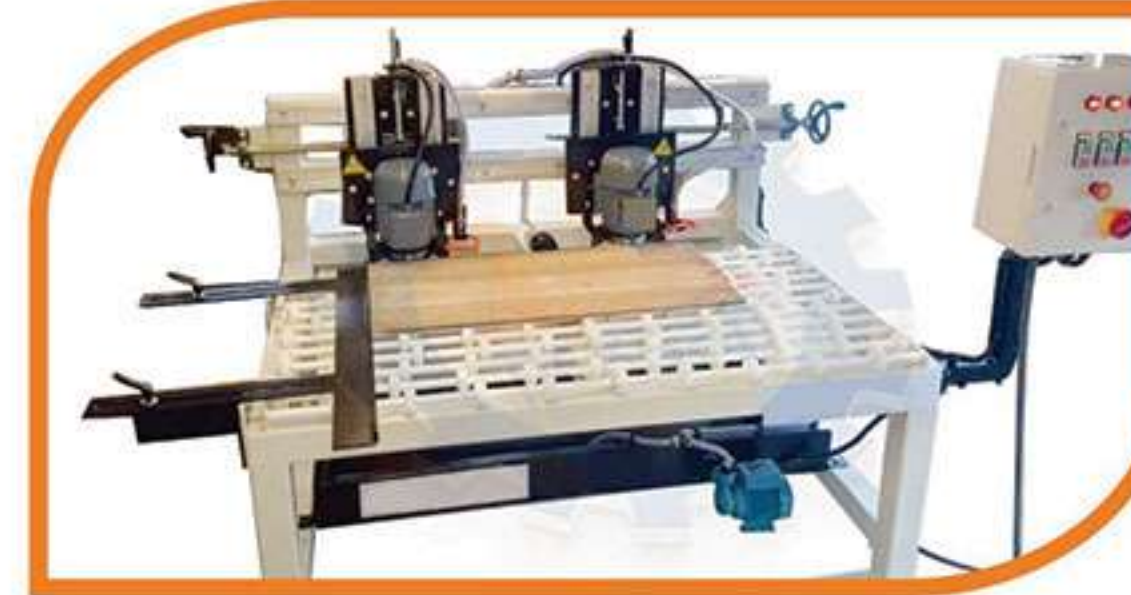


| Ürün Kodu Product Code | Çap mm |
|---------------------------|-----------|
| NM-BA-109 | 100 M14 |
| NM-BA-110 | 100 M14 |
| NM-BA-111 | 100 M14 |

Ürün Kodu / Product Code NM - SRF-45



| Ürün Kodu Product Code | Çap mm |
|---------------------------|-----------|
| NM-BA-112 | 100 M14 |
| NM-BA-113 | 100 M14 |
| NM-BA-114 | 100 M14 |



Ürün Kodu / Product Code NM - SRF-46



| Ürün Kodu Product Code | Çap mm |
|---------------------------|-----------------|
| NM-BA-115 | 80 M14 & 22.23 |
| NM-BA-116 | 90 M14 & 22.23 |
| NM-BA-117 | 110 M14 & 22.23 |

Ürün Kodu / Product Code NM - SRF-47



| Ürün Kodu Product Code | Çap mm |
|---------------------------|-----------------|
| NM-BA-115 | 80 M14 & 22.23 |
| NM-BA-116 | 90 M14 & 22.23 |
| NM-BA-117 | 110 M14 & 22.23 |





References



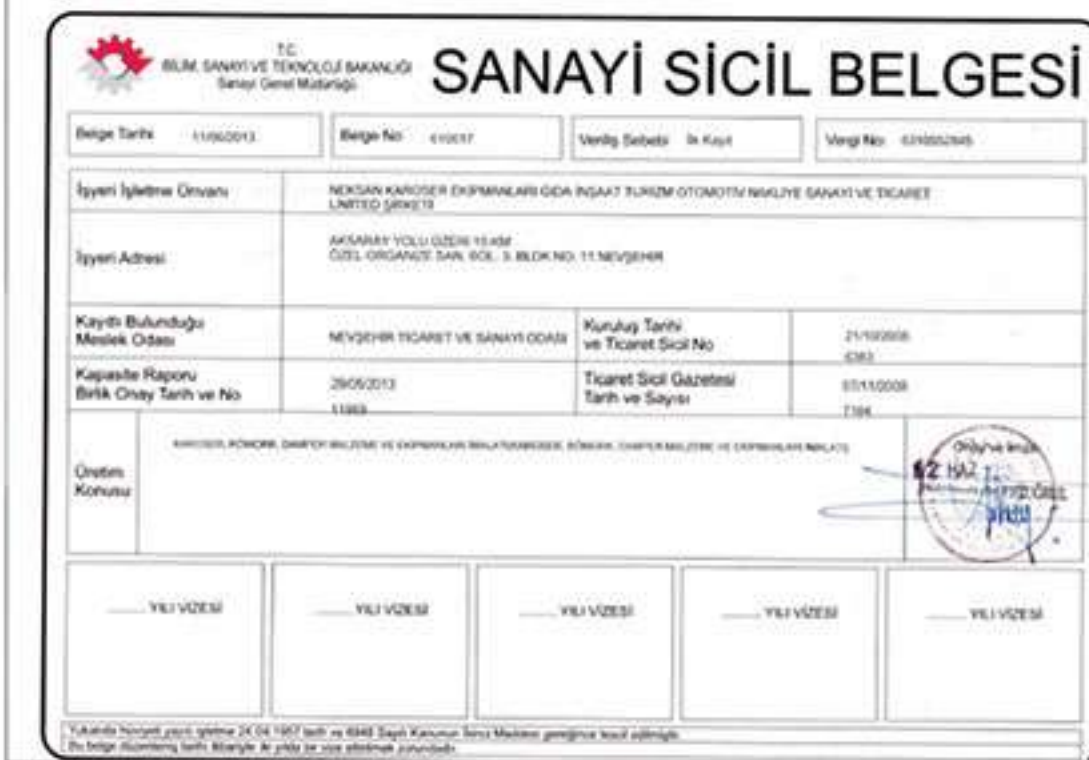
- | | | |
|--|--|--|
| 1. Proje: Aksaray Üniversitesi Eğitim Fakültesi Aksaray Kurulum Alanı: 10.000 m2 | 8. Proje: Nevşehir Üniversitesi Rektörlük Binası Nevşehir Kurulum Alanı: 3.500 m2 | 15. Proje: Hafızlık Eğitim Okulu Niğde Kurulum Alanı: 2.500 m2 |
| 2. Proje: TOKİ Cami İnşaatı Gülşehir / Nevşehir Kurulum Alanı: 1000 m2 | 9. Proje: TOKİ Cami İnşaatı Kayseri Kurulum Alanı: 1.600 m2 | 16. Proje: Kayseri Vergi Dairesi Kayseri Kurulum Alanı: 5.000 m2 |
| 3. Proje: Polat Madencilik İş Merkezi Alanya Kurulum Alanı: 1500 m2 | 10. Proje: Torun Center Projesi İstanbul Kurulum Alanı: 6300 m2 | 17. Proje : Cami İnşaatı Sakarya Kurulum Alanı: 1.500 m2 |
| 4. Proje: Ürgüp Toki Konutları Ürgüp / Nevşehir Kurulum Alanı: 5.000 m2 | 11 Proje: Yeşilhisar Devlet Hastanesi Yeşilhisar / Kayseri Kurulum Alanı: 2.200 m2 | 18. Proje: Anıtlar Kurulu Hizmet Binası Nevşehir Kurulum Alanı: 1.600 m2 |
| 5. Proje: Aile Sağlık Merkezi İpsala / Keşan / Edirne Kurulum Alanı: 1.200 m2 | 12. Proje: Hacı Bektaş Veli Üniversitesi Kütüphanesi Nevşehir Kurulum Alanı:5.500 m2 | 19. Proje: Cami İnşaatı Giresun Kurulum Alanı:1.000 m2 |
| 6. Proje: Belediye Yeni Hizmet Binası Nevşehir Kurulum Alanı:5.000 m2 | 13. Proje: Yaylaklı İş Merkezi Avanos / Nevşehir Kurulum Alanı: 900 m2 | 20. Proje: Muhasebeciler Odası Nevşehir Kurulum Alanı: 800 m2 |
| 7. Proje: Ramada Plaza Otel Irak Kurulum Alanı: 9200 m2 | 14. Proje: Antalya Otel İnşaatı Antalya Kurulum Alanı: 5000 m2 | 21. Proje: Okul İnşaatı Eskişehir Kurulum Alanı:4000 m2 |

References



- | | | |
|---|---|---|
| 22.Proje: Eti Alüminyum Tesis Giriş Kapısı Seydişehir / Konya Kurulum Alanı: 500 m2 | 29.Proje: Fakılı Emniyet Müdürlüğü Fakılı / Yozgat Kurulum Alanı: 1.500 m2 | 36.Proje: Torun Center Projesi Mecidiyeköy / İSTANBUL Kurulum Alanı: 6000 m2 |
| 23.Proje: Karatay Üniversitesi Konya Kurulum Alanı: 2.500 m2 | 30.Proje: Pınarbaşı Devlet Hastanesi Pınarbaşı / Kayseri Kurulum Alanı: 1.500 m2 | 37.Proje: Tekden Koleji Yurdu KAYSERİ Kurulum Alanı: 1.200 m2 |
| 24.Proje: Ahiler Kalkınma Ajansı Hizmet Binası Nevşehir Kurulum Alanı: 5000 m2 | 31.Proje: Sankaya Emniyet Müdürlüğü Sankaya / YOZGAT Kurulum Alanı: 1.250 m2 | 38.Proje: Acıgöl Devlet Hastanesi Acıgöl / NEVŞEHİR Kurulum Alanı: 2.300 m2 |
| 25.Proje: Talas Gençlik Merkezi Talas / Kayseri Kurulum Alanı: 1.800 m2 | 32.Proje: Aksaray Ticaret Odası Çıracılık Okl Aksaray Kurulum Alanı: 1.250 m2 | 39.Proje: Gülşehir Devlet Hastanesi Gülşehir / NEVŞEHİR Kurulum Alanı: 2.300 m2 |
| 26.Proje: Sankaya İlçe Emniyet Müdürlüğü Sarıkaya / Konya Kurulum Alanı: 1.200 m2 | 33.Proje: Eti Alüminyum A.Ş. Genel Müdürlük Binası Seydişehir / KONYA Kurulum Alanı: 3.200 m2 | 40.Proje: Setenönü Oteli KAYSERİ Kurulum Alanı: 2.000 m2 |
| 27.Proje: Ürgüp Devlet Hastanesi Nevşehir Kurulum Alanı: 3.200 m2 | 34.Proje: Pınarbaşı Devlet Hastanesi Pınarbaşı / KAYSERİ Kurulum Alanı: 2.000 m2 | 41.Proje: A.Gül Üniversitesi Giriş Kapı KAYSERİ Kurulum Alanı: 300 m2 |
| 28.Proje: Nevşehir Küllüyesi Nevşehir Kurulum Alanı: 3.000 m2 | 35.Proje: Nevşehir Emlak Konut Ofisi Nevşehir Kurulum Alanı: 400 m2 | 42.Proje: 15 Temmuz Şehitleri Parkı ADANA Kurulum Alanı: 2.200 m2 |

Our Certificates



- KAZAKHISTAN**
- FRANCE**
- AZERBAIJAN**
- TURKMENISTAN**
- LIBYA**
- UZBEKISTAN**
- MONGOLIA**
- UKRANIE**
- QATAR**
- IRAQ**
- ENGLAND**
- AUSTRALIA**
- NIGERIA**
- NAKHCHIVAN**
- RUSSIA**
- BULGARIA**
- MOROCCO**
- GEORGIA**
- PALESTINE**
- TUNISIA**
- SERBIA**
- ISRAEL**
- MOLDOVA**
- MONTENEGRO**

SOME OF THE OUR EXPORTING COUNTRIES
 NEKSAN FACTORY(TURKEY)

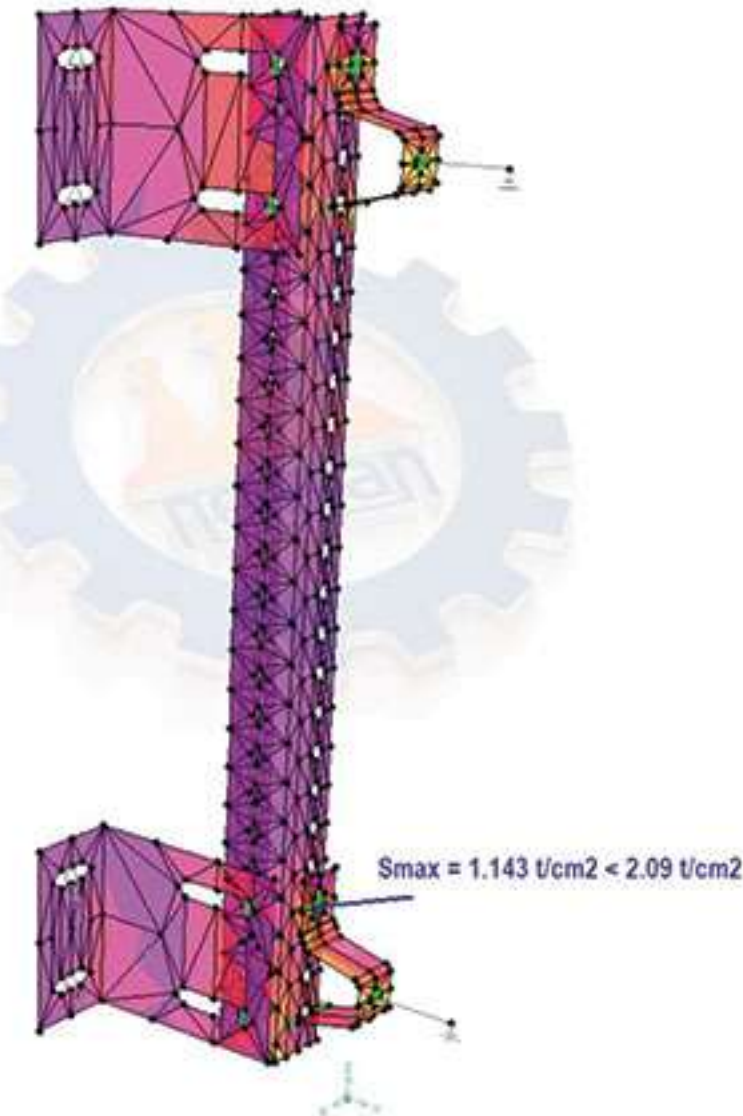


Technical Support & Specialist Design

| | | | | |
|---------------------------|------------------------|-----------------------------|-----------------------------|-----------------------|
| Minimum | 0, mm | 2,086e-011 mm/mm | -0,13059 mm | 7,5833e-007 MPa |
| Maximum | 0,17391 mm | 6,711e-004 mm/mm | 2,3179e-004 mm | 118,32 MPa |
| Minimum Occurs On | 90x60x150_L_bayrak_4mm | 5x50_MM_Paslanmaz_pim | M10x50_Paslanmaz_ayar_kolu1 | 5x50_MM_Paslanmaz_pim |
| Maximum Occurs On | 5x50_MM_Paslanmaz_pim | M10x50_Paslanmaz_ayar_kolu1 | 90x60x150_L_bayrak_4mm | 27x20x3 F Ankrāj |
| Information | | | | |
| Time | 1, s | | | |
| Load Step | 1 | | | |
| Substep | 1 | | | |
| Iteration | 1 | | | |
| Integration Point Results | | | | |
| Display Option | Averaged | | Averaged | |

4. SIZING OF THE STRUCTURAL ELEMENTS

4.1 ST37 Material Maksimum Stress Control:

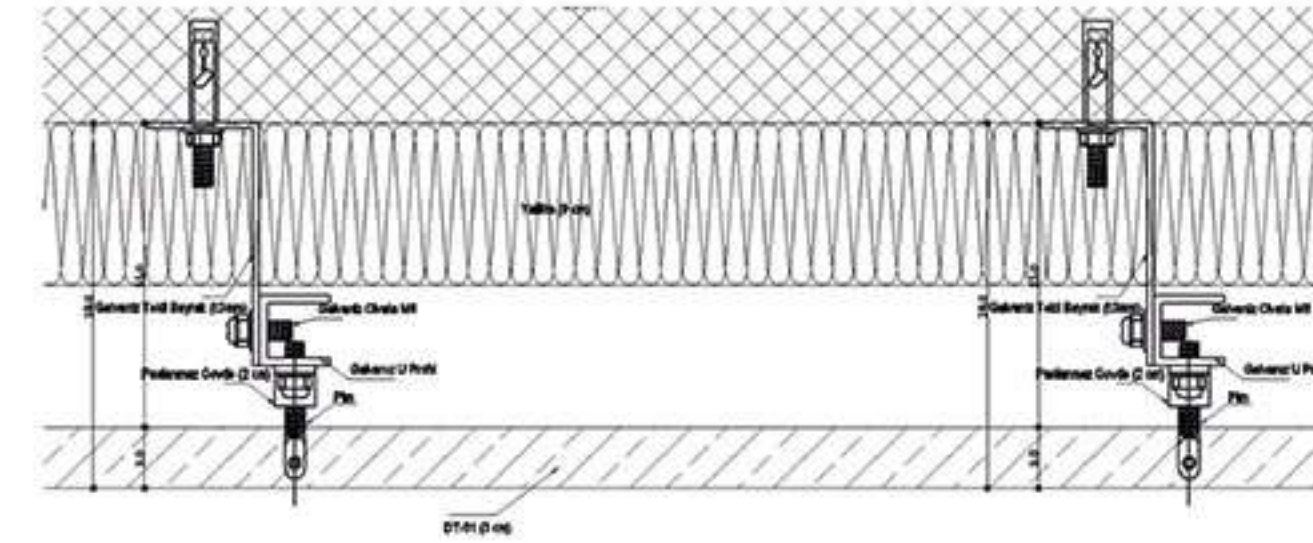


SVM: Von Misses Stresses.

Under load the results of the accounts in connection plates were seen to overcome any stress does not occur.

Structural Analysis Reports

Report as detailed below; 0.86 of the height of the cladding element carrier which includes the design calculations according to the most unfavorable loading condition.



The impact with more unfavorable situation that the joint effects of wind loads and vertical loads carrying system account structure is made according to the situation.

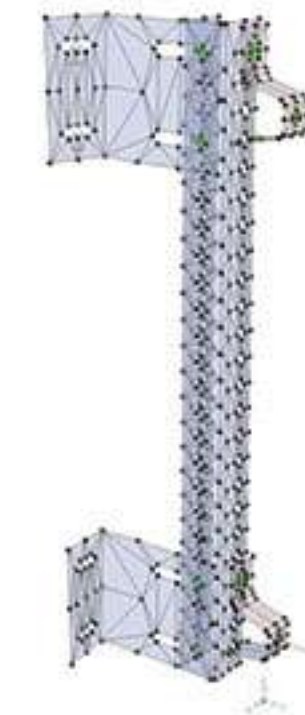
The structure is made of the carrier system with SAP2000 V.16.1 program.

$$I_x = \frac{bh^3 - bh^3}{12} = \frac{3 \times 4^3 - 2.75 \times 3.5^3}{12} = 6,174 \text{ cm}^4$$

KESİT DELİKLİ OLDUĞUNDAN %15 MUKAVEMET DEĞERİ DÜŞÜRÜLECEKTİR. $I_x = 5,248 \text{ cm}^4$

$$W_x = \frac{bh^2 - bh^2}{6t} = \frac{3 \times 4^2 - 2.75 \times 3.5^2}{6 \times 4} = 3,007 \text{ cm}^3$$

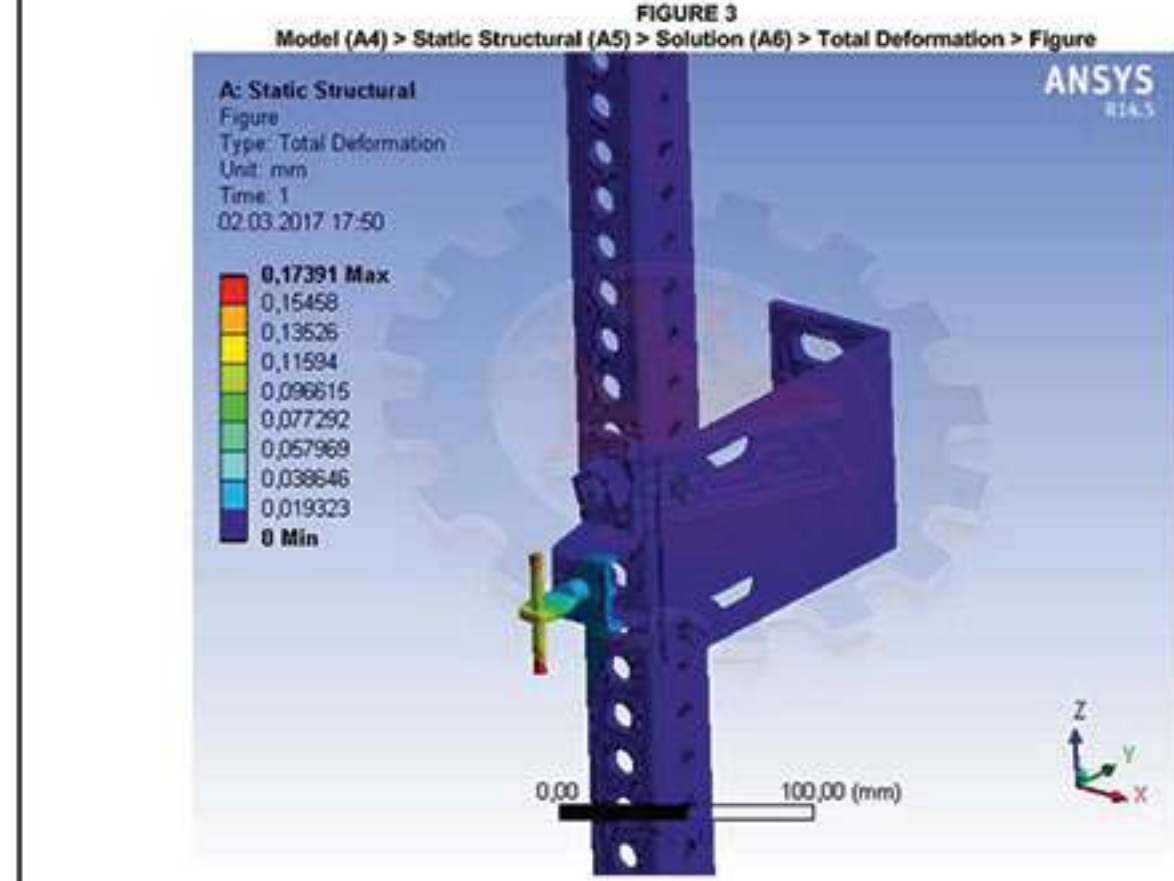
KESİT DELİKLİ OLDUĞUNDAN MUKAVEMET DEĞERİ %15 DÜŞÜRÜLECEKTİR. $W_x = 2,623 \text{ cm}^3$



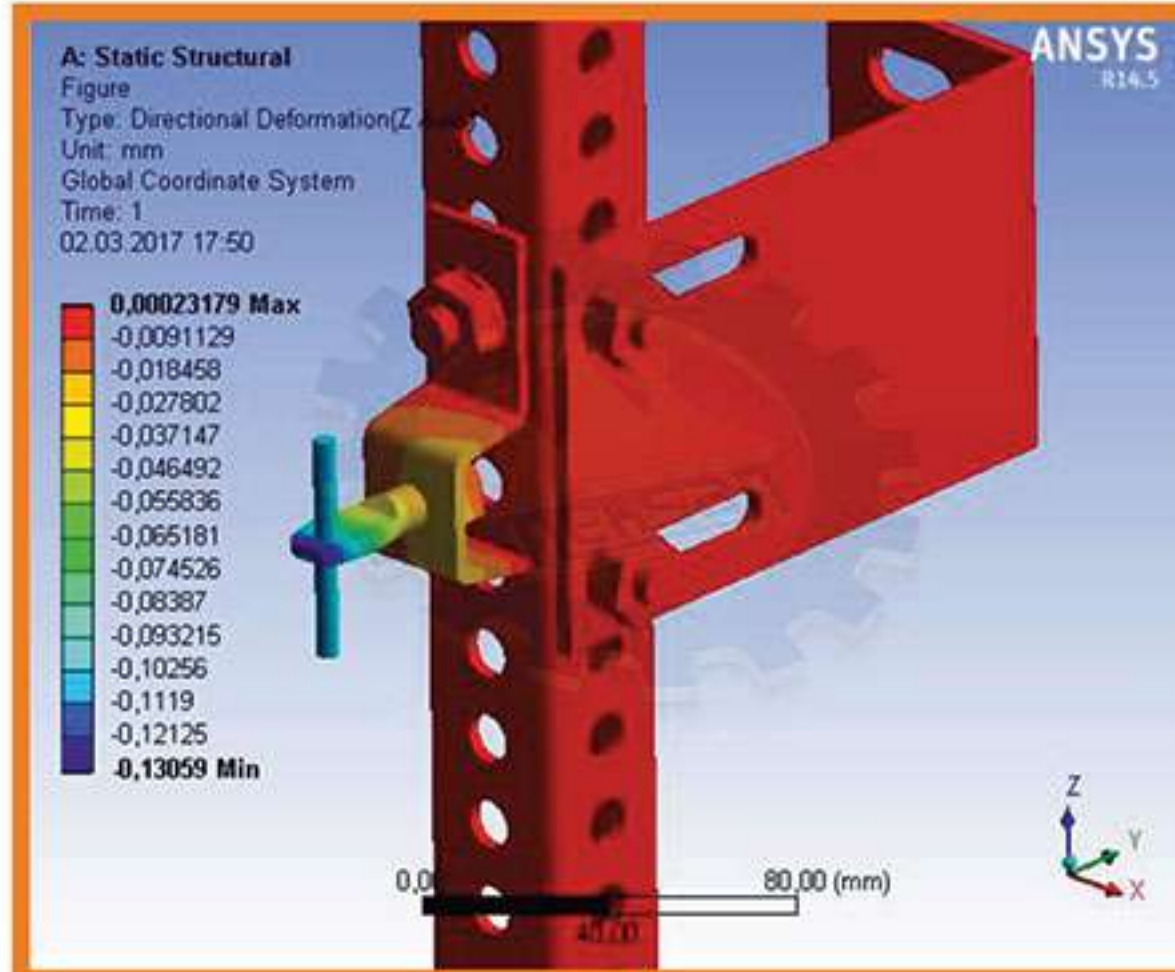
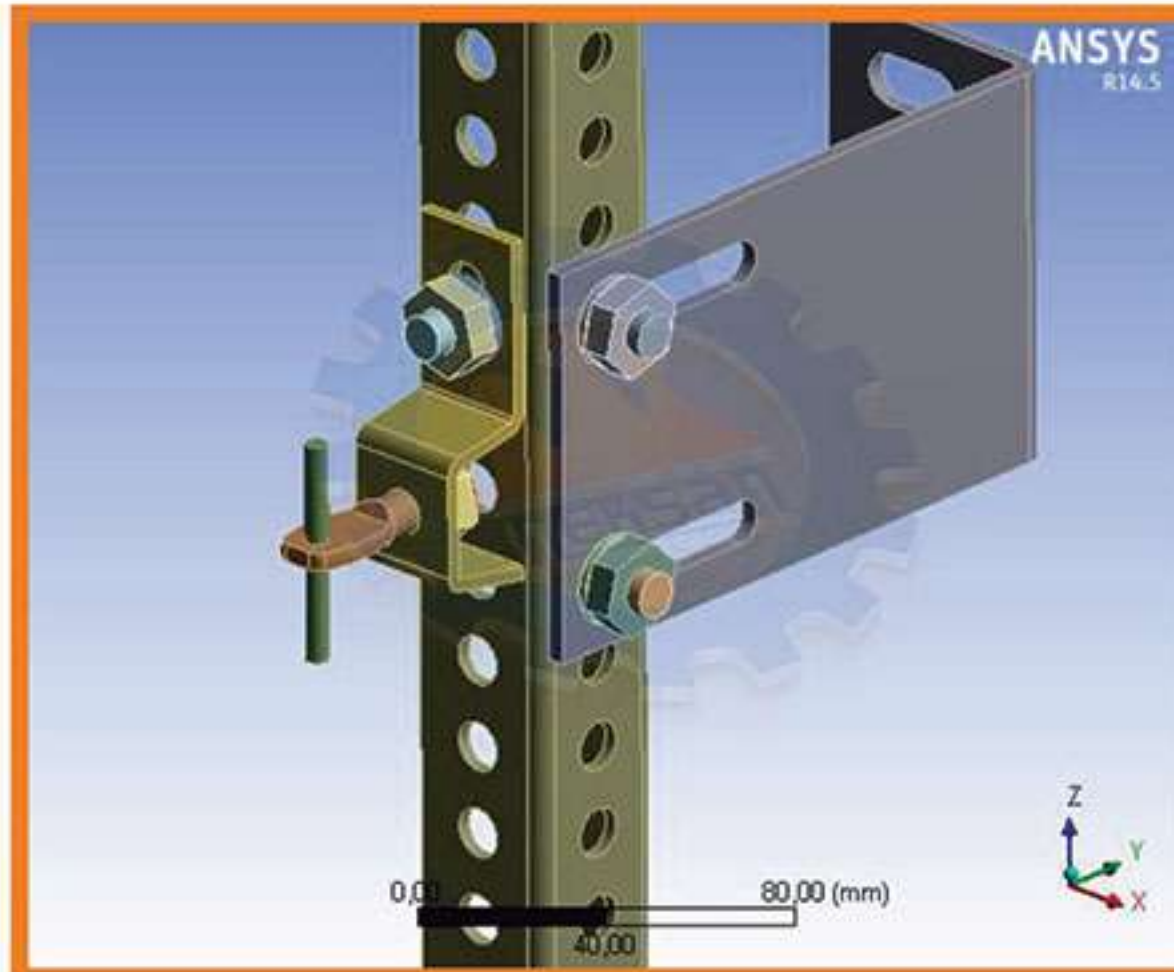
Mermer yükü = $0,60 \times 3,00 \times 0,03 \times 2500 = 135 \text{ kg}$
 $q = \frac{w}{l} = \frac{135}{1,80} = 75 \text{ kg/m}$
 $q = \frac{w}{l} = \frac{135}{1,80} = 75 \text{ kg/m}$
 Rüzgar alanı : $3,00 \times 0,60 = 1,8 \text{ m}^2$
 $1,8 \text{ m}^2 \times 112,2 \text{ kg/m}^2 = 202 \text{ kg}$
 $\sum q = 135 \text{ kg} + 202 \text{ kg} = 337 \text{ kg}$
 $337 \text{ kg} / 300 \text{ cm} = 1,12 \text{ kg/cm}$
 $M_{max} = \frac{1,12 \times 150^2}{24} = 1050 \text{ kgcm}$
 $\sigma = \frac{M}{W} = \frac{1050}{2,623} = 400 \text{ kg/cm}^2 < 1400 \text{ kg/cm}^2$
 $f = \frac{5,5}{48} \times \frac{W_L^3}{R^3} = \frac{5,5}{48} \times \frac{1950 \times 10^3}{2100000 \times 5,248} = 0,25 \text{ cm} < \frac{L}{300} = 0,60 \text{ cm}$
 U profil düpede 150 cm. aralıklarla ankre edilebilir.

Kaplama taş tutucu elemanı pim statik hesabı

Mermer Kaplama $0,30 \times 0,60 \times 0,04 \times 2500 = 18 \text{ kg}$
 Rüzgar yükü $0,30 \times 0,60 \times 121,2 = 22 \text{ kg}$
 Toplam yük = 40 kg . 304 kalite paslanmazın kopma gerilmesi 5150 kg/cm^2
 $\sigma = \frac{M}{W} = \frac{40 \text{ kgcm}}{W} = \frac{40 \text{ kgcm}}{5150 \text{ kg/cm}^2} = 0,008 \text{ cm}^3$
 $W_x = W_y = \frac{\pi \times r^3}{4} = \frac{3,14 \times r^3}{4} = 0,008 \text{ cm}^3$
 $r = 0,22 \text{ cm} = 2,2 \text{ mm}$. $R = 4,4 \text{ mm}$
 Seçilen pim kesiti
 $\varnothing 5 \text{ mm}$. 304 Kalite paslanmaz



Model (A4) > Static Structural (A5) > Solution (A6) > Equivalent Elastic Strain > Figure



4.3 ST37 material: M8 8.8 Bolt kontrol

The most unfavorable bolt load area is selected (S11) loading state:

$\sigma_{max} = 1,951 \text{ t/cm}^2 < 2,81 \text{ (H durumu)}$

5. Result:

VERTICAL AND HORIZONTAL LOAD-BEARING ELEMENTS ACTING ON THEM ARE ABLE TO MOVE SAFELY IN FRONT OF THE SPECIFICATIONS IN FORCE BEES STRESS AND DEFLECTION VALUES.

DÜSEY YÜKLERE GÖRE STANDART TİP L ANKRAJ HESABI

BİR ADET L ANKRAJA GELEN YÜK
 $3 \text{ MT} \times 0,30 \text{ (TAŞ GENİRLİĞİ } 60 \text{ cm.)} = 0,90 \text{ m}^2$
 $0,90 \text{ m}^2 \times 0,04 \text{ (TAŞ KALINLIĞI)} \times 2.500 \text{ kg/m}^3 = 90 \text{ kg}$
 $90 \text{ kg} + \text{zati yükler (10 kg.)} = 100 \text{ kg}$
 L ANKRAJIN BOYU $18 \text{ cm} + \text{H GÖVDE } 6 \text{ cm.} + \text{AYAR KOLU } 3 \text{ cm.} = 27 \text{ cm}$
 $M_{max} = 100 \text{ kg} \times 27 \text{ cm.} = 2700 \text{ kgcm}$
 L ANKRAJIN MUKAVEMET MOMENTİ
 $W_x = \frac{b \times h^3}{6} = \frac{0,3 \times 0,3^3}{6} = 3,2 \text{ cm}^3$
 $\sigma = \frac{M}{W} = \frac{2700}{3,2} = 844 \text{ kg/cm}^2 < 1400 \text{ kg/cm}^2$
 SEÇİLEN KESİT UYGUNDUR.

DÜSEY YÜKLERE GÖRE ÖZEL TİP KIZAKLI ANKRAJ HESABI

 $W_x = \frac{bh^3 - bh^3}{6t} = \frac{1,5 \times 10^3 - 1,1 \times 9,2^3}{6 \times 10} = 10,724 \text{ cm}^3$

KIZAKLI ANKRAJIN BOYU $35 \text{ cm} + \text{H GÖVDE } 7 \text{ cm.} + \text{AYAR KOLU } 3 \text{ cm.} = 45 \text{ cm}$
 $M_{max} = 90 \text{ kg} \times 45 \text{ cm.} = 4050 \text{ kgcm}$
 $\sigma = \frac{M}{W} = \frac{4050}{10,724} = 378 \text{ kg/cm}^2 < 1400 \text{ kg/cm}^2$
 SEÇİLEN KESİT UYGUNDUR.

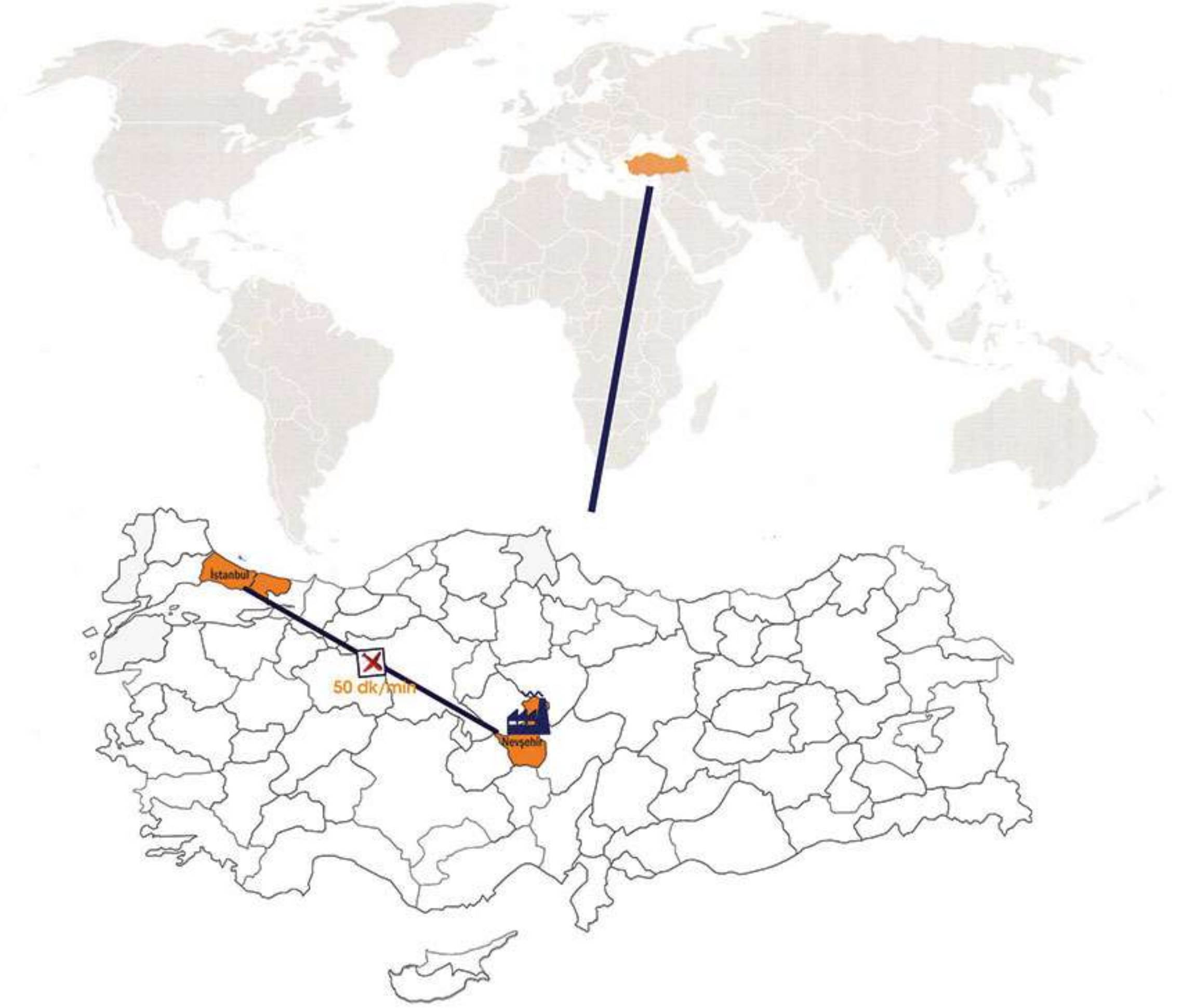
KULLANILAN BETON SINIFI C 30

MERMER YÜKLERİ = $3,00 \times 0,30 \times 0,04 \times 2500 \text{ kg/m}^3 = 90 \text{ kg}$
 RÜZGAR YÜKLERİ $112,2 \text{ kg/m}^2 \times 3,00 \times 0,30 = 101 \text{ kg}$
 TOPLAM YÜK $191 \text{ kg} + \text{ZATI YÜKLER (10 kg.)} = 201 \text{ kg}$
 $201/4 = 50,25 \text{ kg}$ Bir Dübele Gelen yük = $50,25 \text{ kg}$
 $M_{max} = 4050 \text{ kgcm}$
 $4050 \text{ kgcm} / 9 \text{ cm} = 450 \text{ kg} < 650 \text{ KG (1300/2 kg)}$
 (M10 x 90 mm. Gömlekli Çelik Dübel)
 $\sigma = \frac{M}{W} = \frac{201 \times 12 \text{ kgcm}}{W} = \frac{2412 \text{ kgcm}}{1600 \text{ kg/cm}^2} = 1,51 \text{ cm}^3$
 $W_x = W_y = \frac{\pi \times r^3}{4} = \frac{3,14 \times r^3}{4} = 1,51 \text{ cm}^3$
 $r = 7,6 \text{ mm} \times 2 = 15,2 \text{ mm}$
 $15,2 < 2 \times \text{M } 10 = 20 \text{ mm}$
 U PROFİL ANKRAJ PLAKASINA 2 ADET M 10 ÇIVATA İLE BAĞLANACAK

PACKING AND LOADING



Neredeyiz ?
Where are we ?



DIŞ CEPHE KAPLAMA
MEKANİK SABİTLEME SİSTEMLERİ
MARBLE & STONE FIXING SYSTEMS
Aksaray Yolu Üzeri 10. Km.
Organize Sanayi Bölgesi
3 Cadde No:11
NEVŞEHİR-TÜRKİYE
info@neksanmekanik.com
Fax: +90 384 242 90 28



www.neksanmekanik.com

